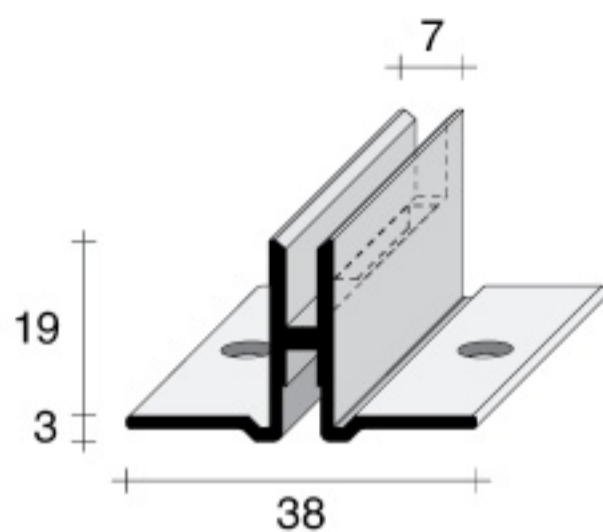


Insertion on milling up to 19 mm panel thickness

ALUMINIUM SLOTTED PROFILES

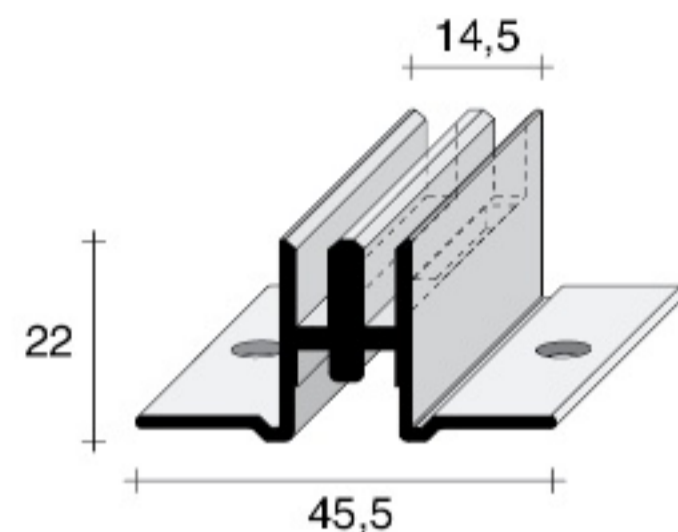
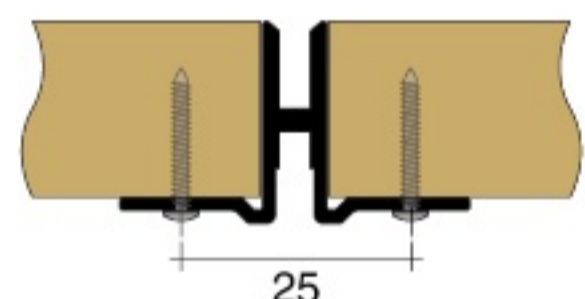


SINGLE

RP1
RP1.2013.NAT

RP1.2531.NAT

RP1.3012.NAT
RP1.3012.ANE

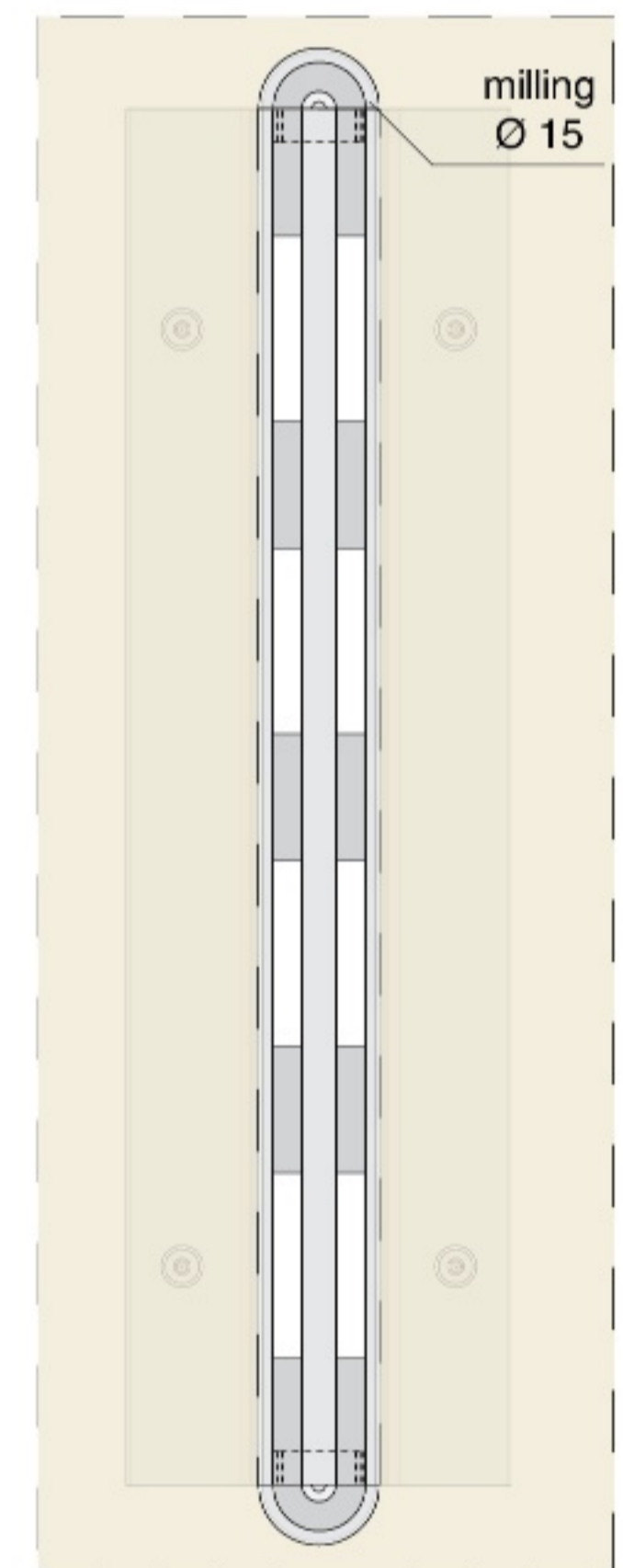
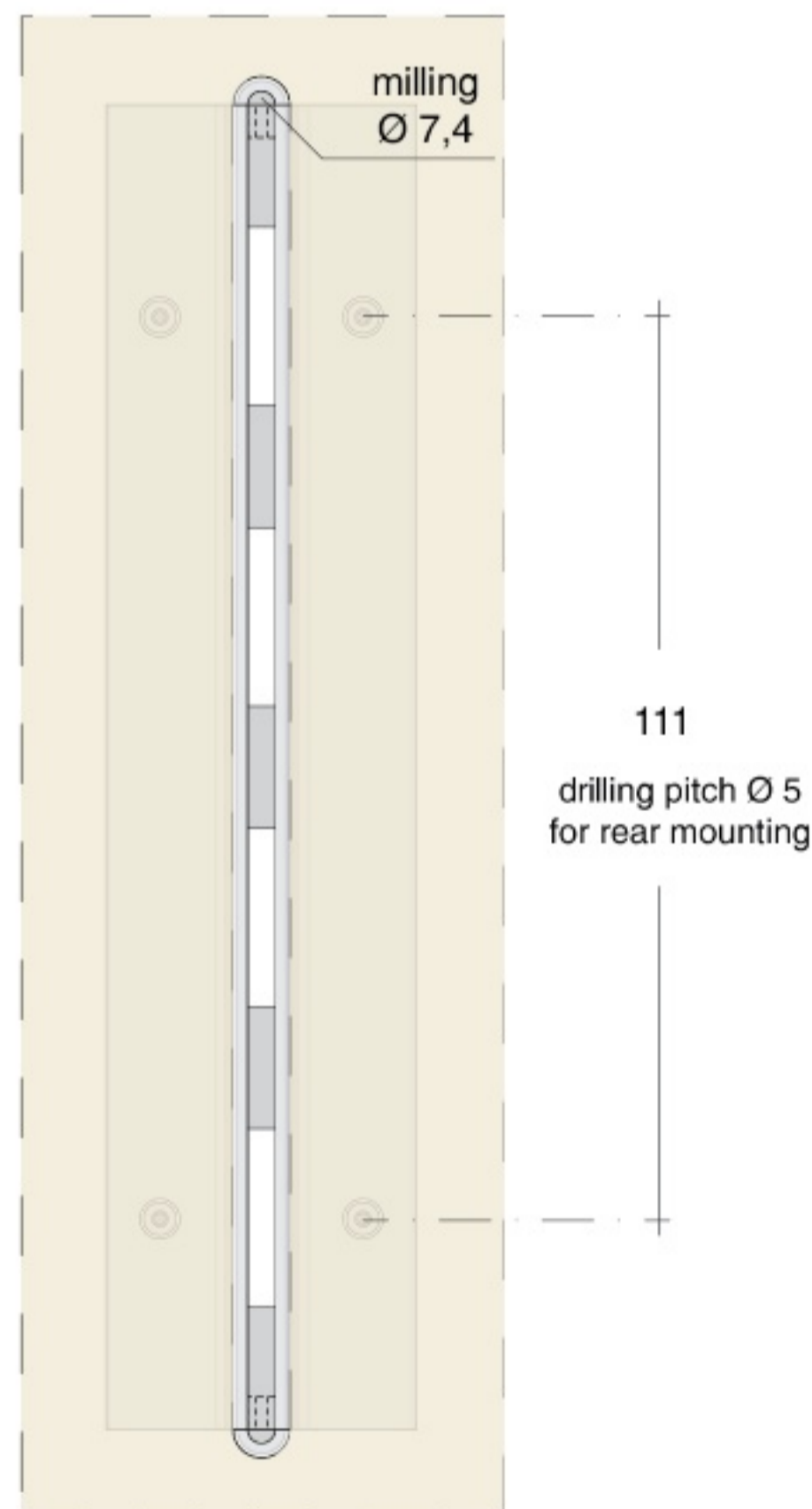
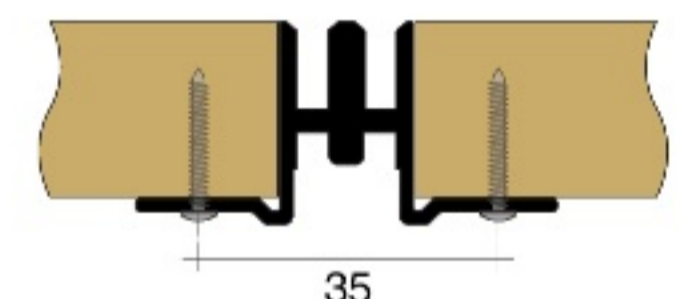


DOUBLE

RP2
RP2.2013.NAT

RP2.2531.NAT

RP2.3012.NAT
RP2.3012.ANE

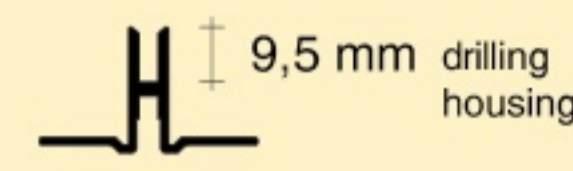
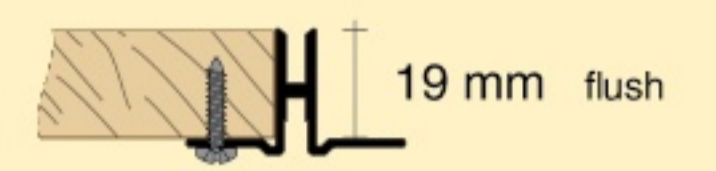


Frontal end cap on milling Ø 7,4 mm
CAP.RP01.NKS
CAP.RP01.NER

Frontal end cap on milling Ø 15 mm
CAP.RP02.NKS
CAP.RP02.NER

Gaskets
GRN.10MT.ARG
GRN.10MT.NER

Helical end mill for RP1 profile insertion
FRS.7X20.GRE



MATCH WITH
NB SYSTEM

Lengths in mm

2013	2531	3012
------	------	------

AI	NAT	SATINIZED SILVER
	ANE	BLACK

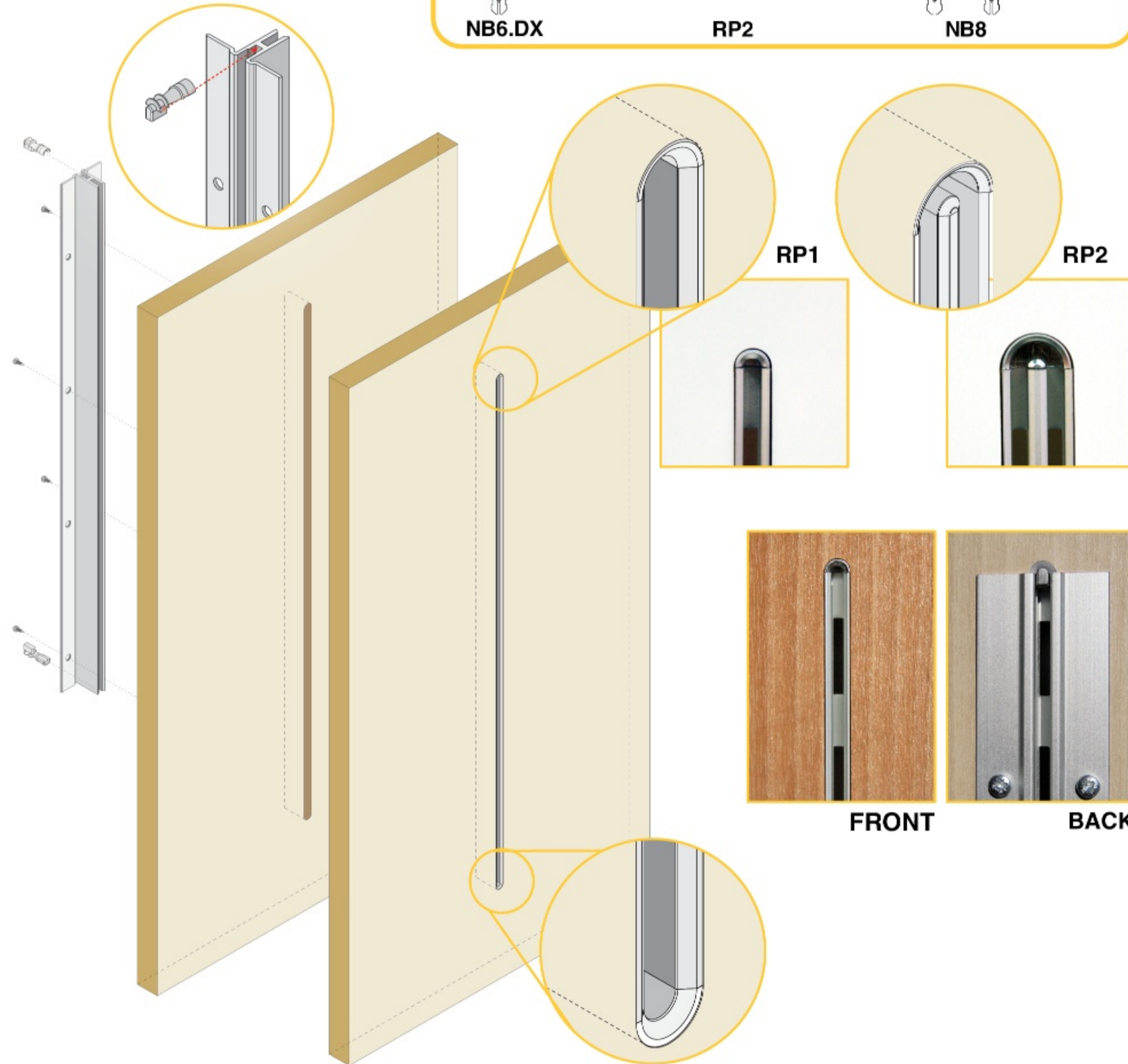
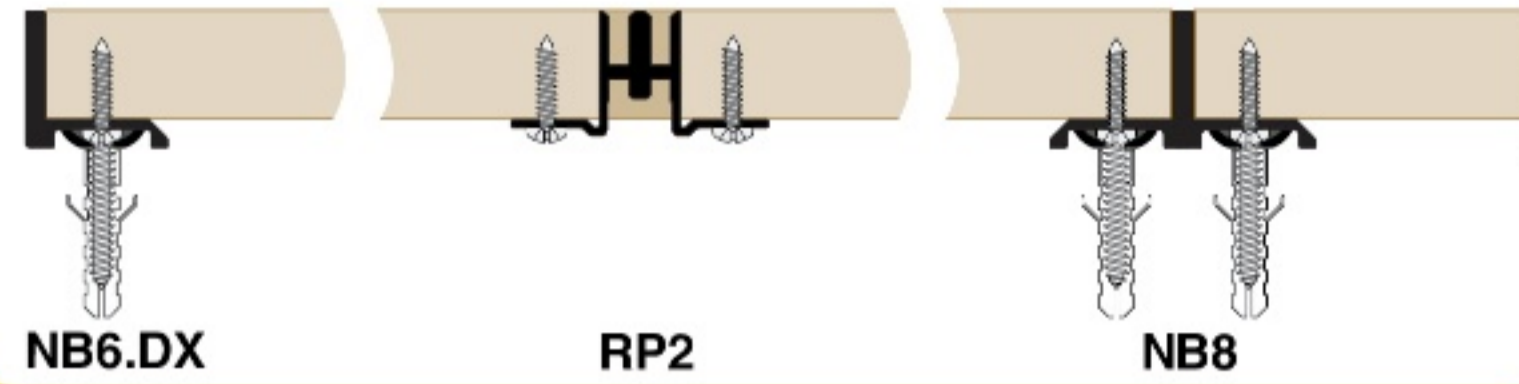
* special items



RP series

ASSEMBLY INSTRUCTIONS

Section view of **RP series** combined with **NB system** profiles



Dresser arrangement: elements equipped with **RP2** slotted profiles on **NB6.SX - NB8 - NB6.DX**.
Accessories: **MCT.V819 - CAP.RP02**.



MCT.V819



MCT.V819

