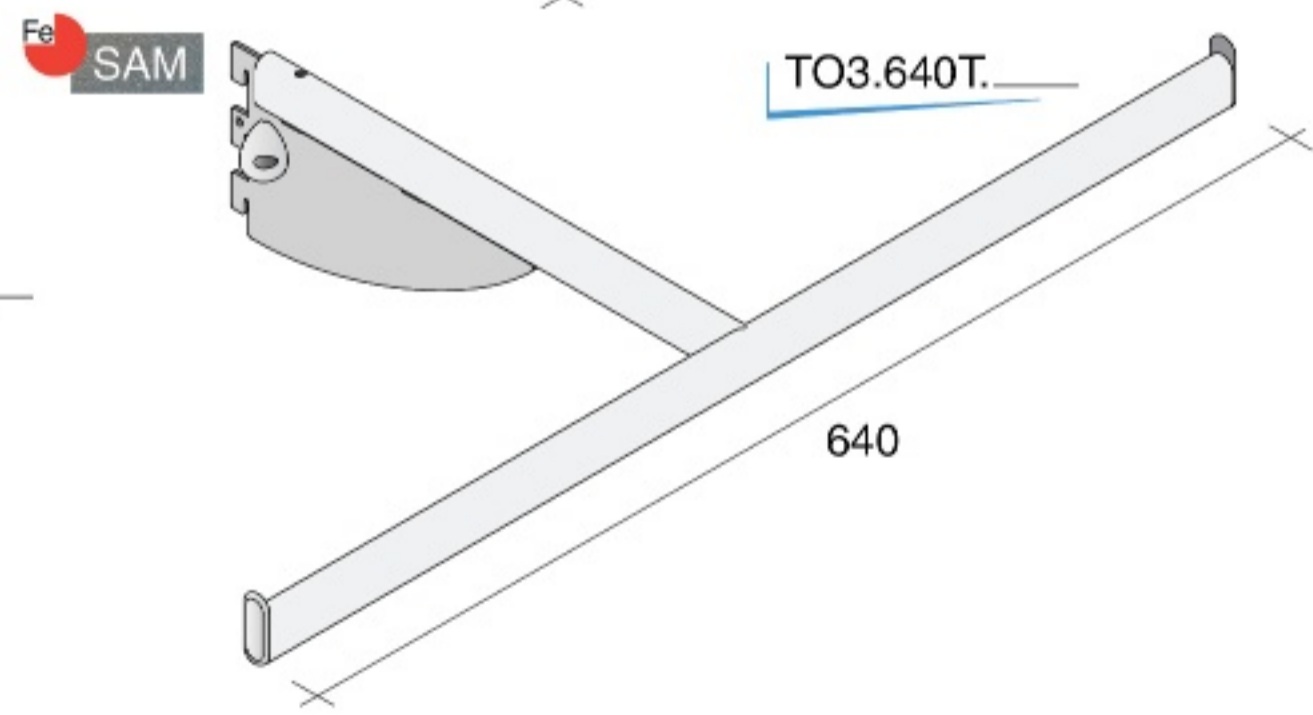
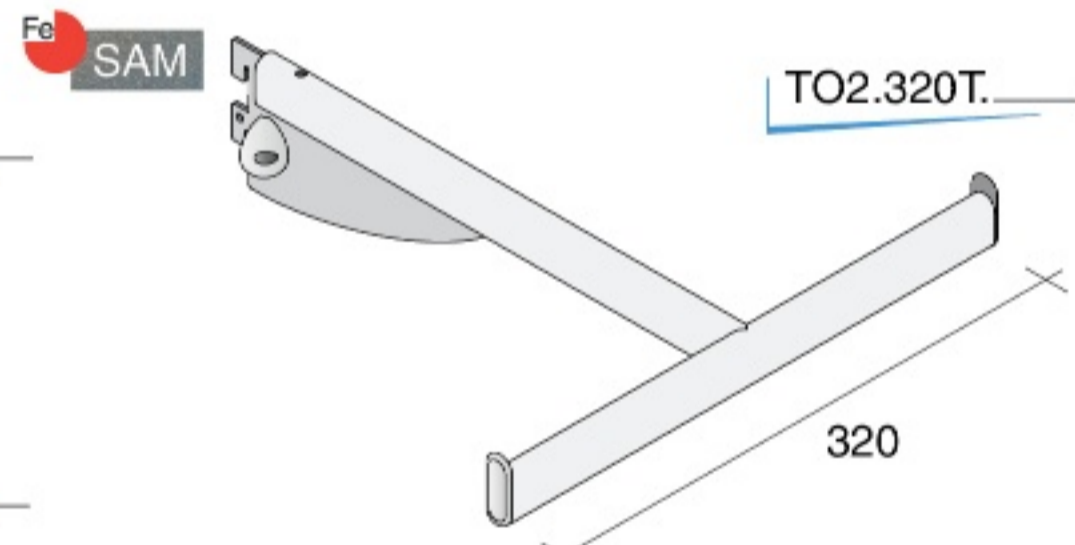
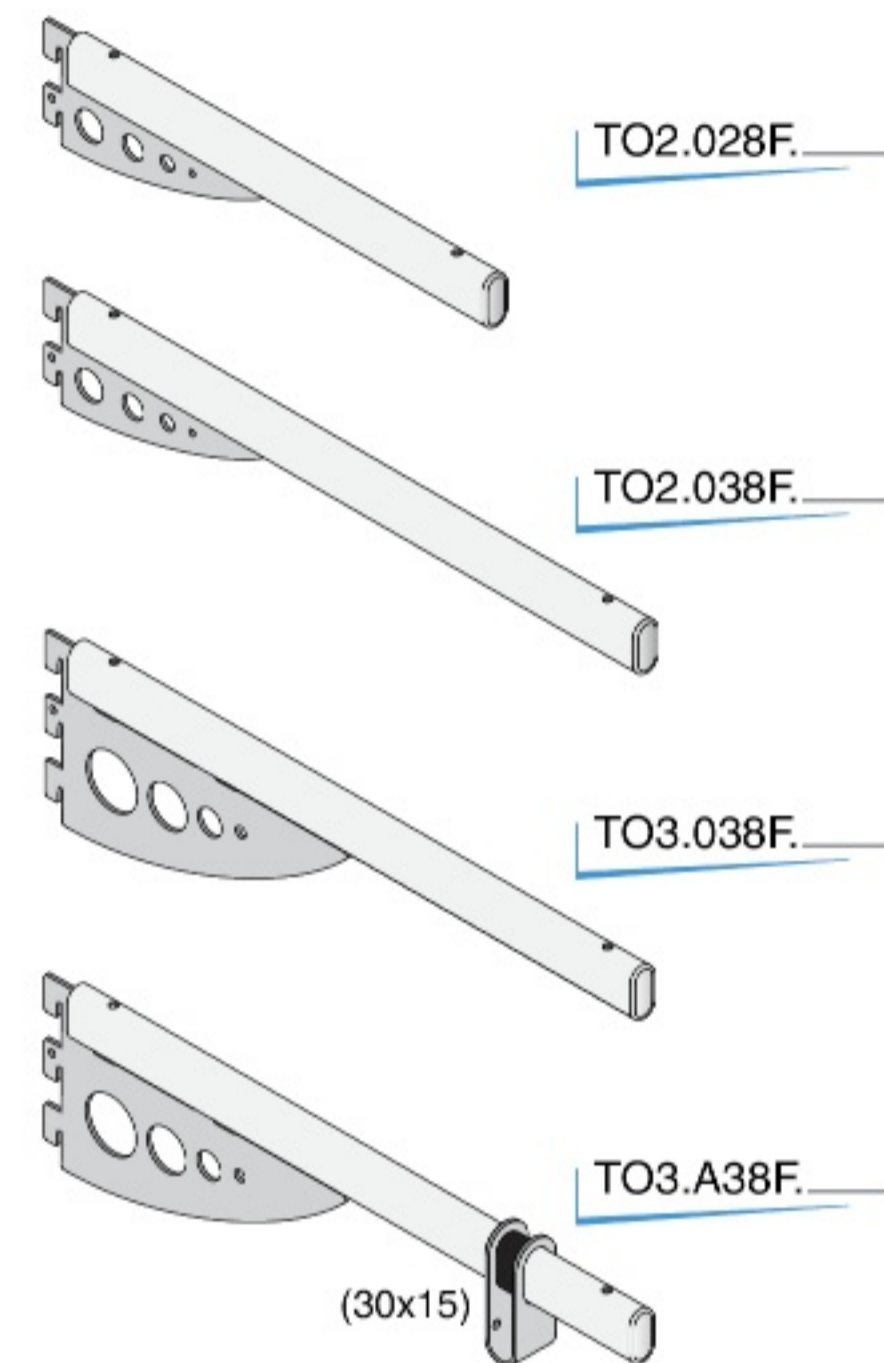
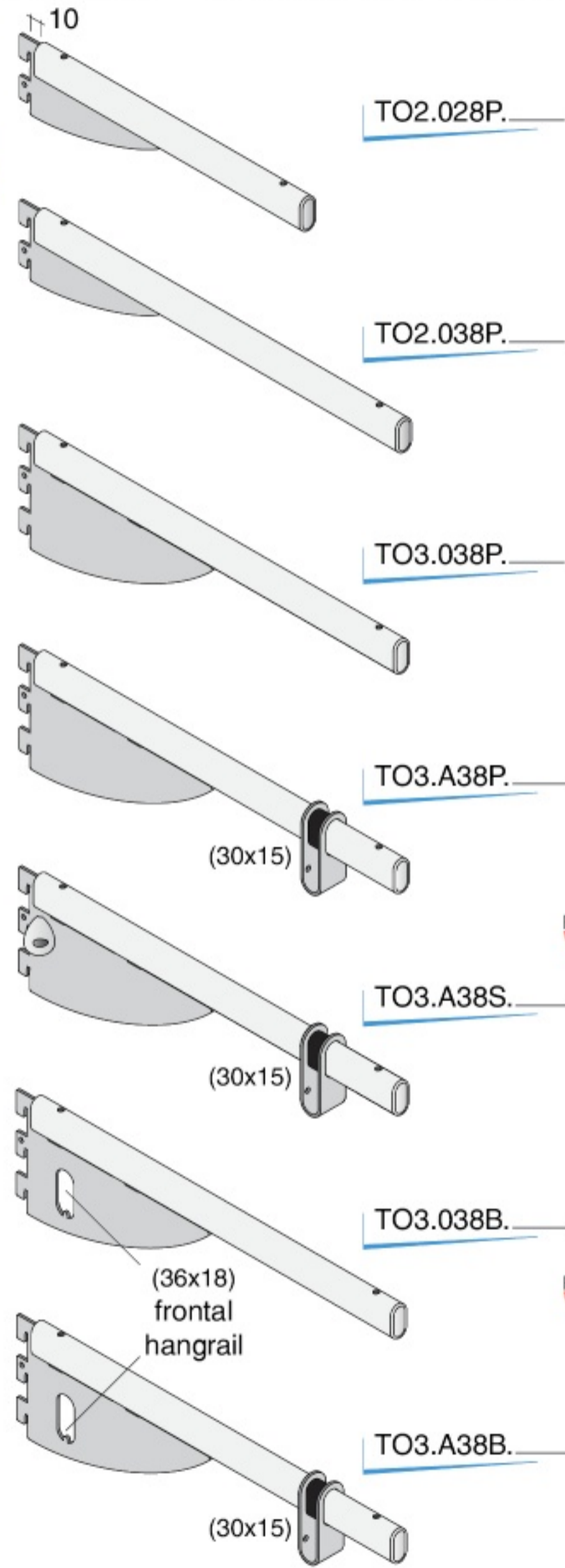




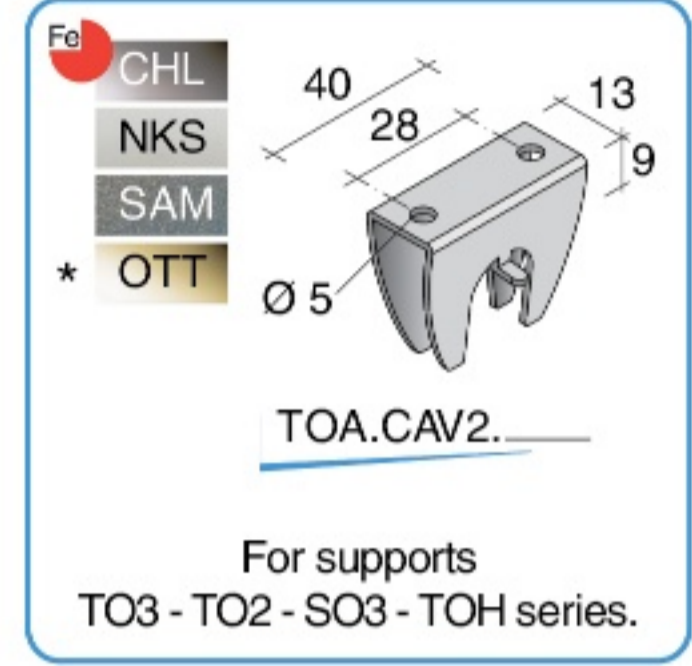
Supports with saddles for shelves and hangrail

TO3 - TO2 series - 280 / 380 mm, rod 30 x 15 mm

- Fe CHL
- NKS
- SAM
- * OTT



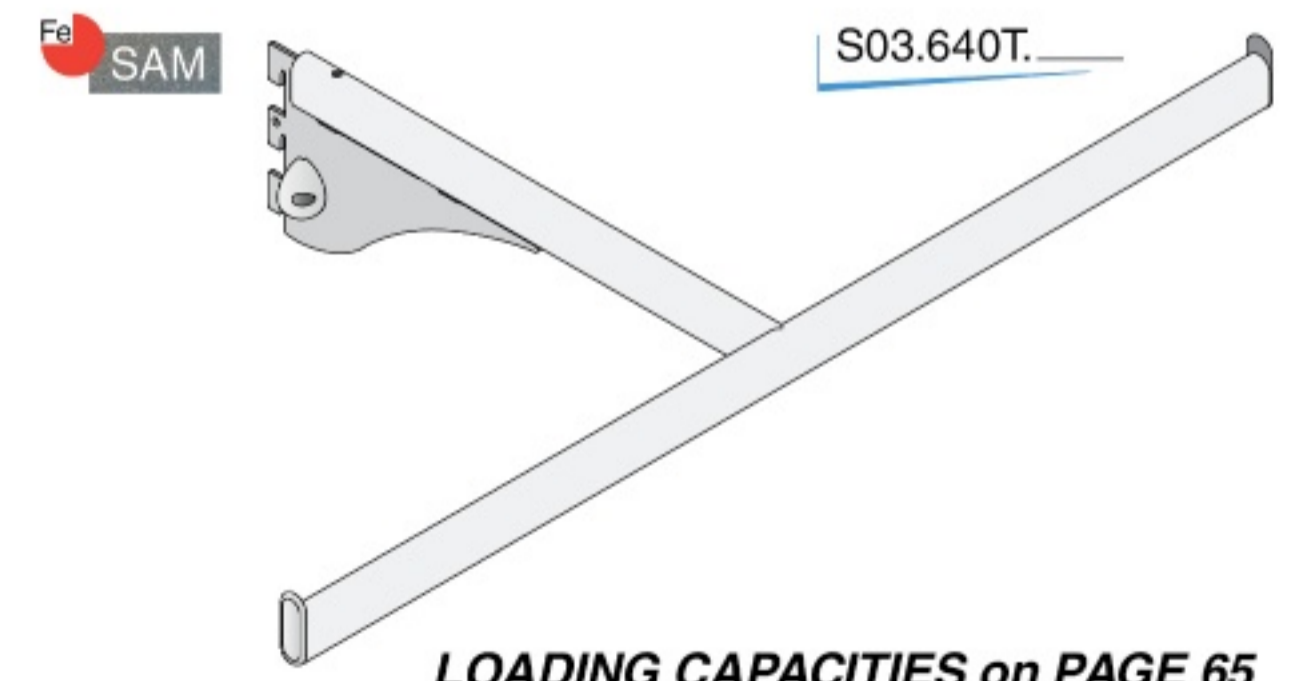
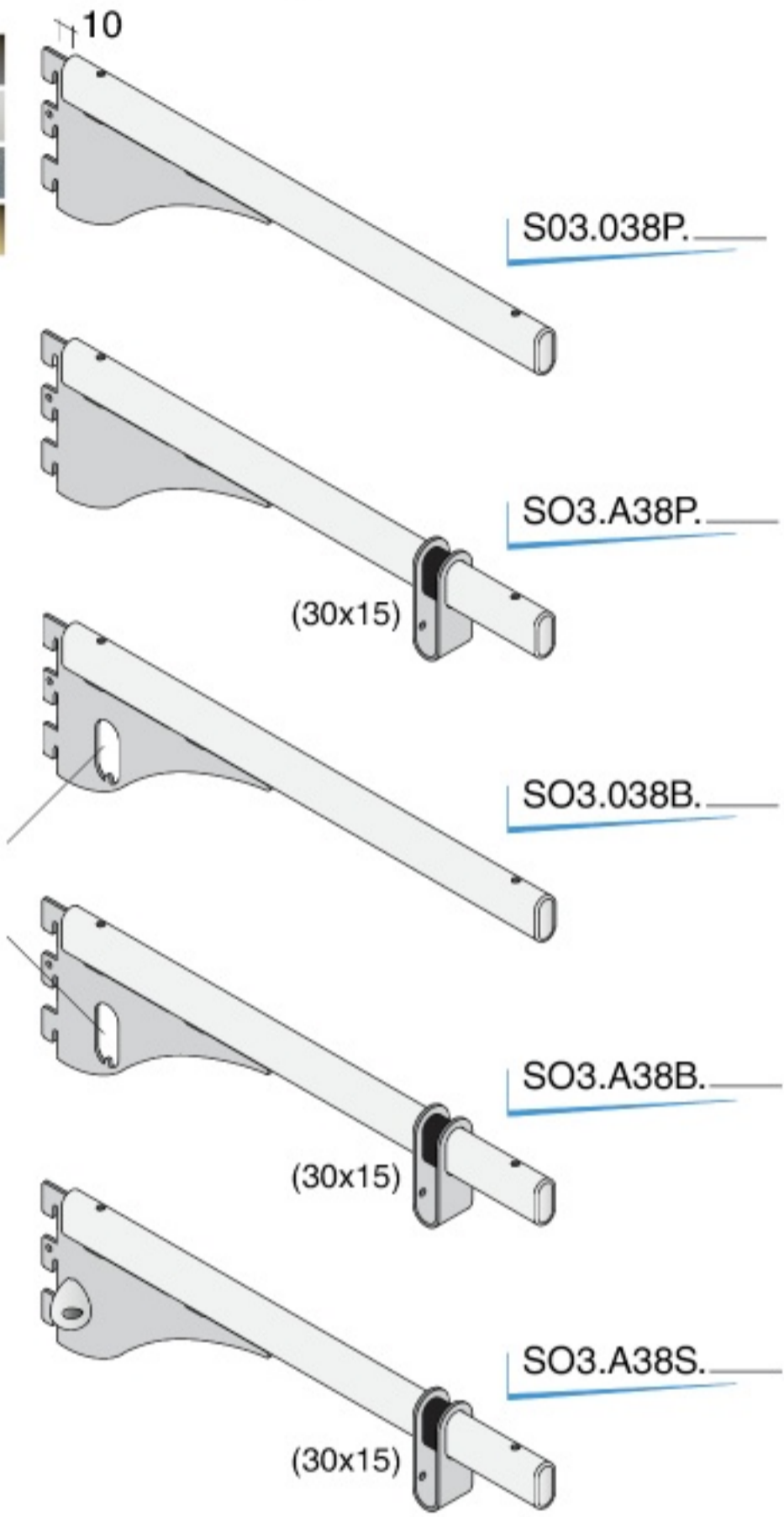
Saddle



DOUBLE USE:
top with hangrail
together
or separated,
frontal or lateral

SO3 series - 380 mm, rod 30 x 15 mm

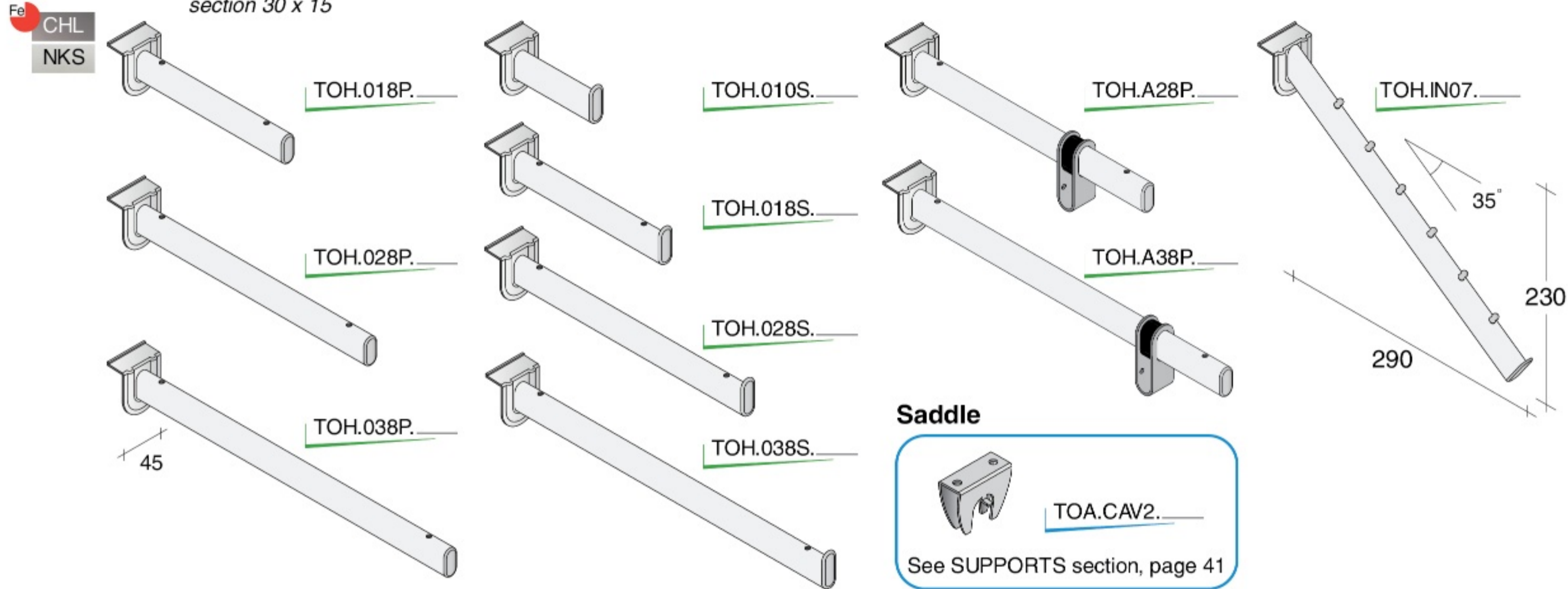
- Fe CHL
- NKS
- SAM
- * OTT



LOADING CAPACITIES on PAGE 65

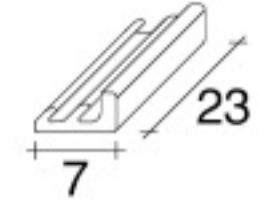
Removable horizontal supports on horizontal series - carrier arms and display rails

TOH series - from 100 to 380 mm section 30 x 15

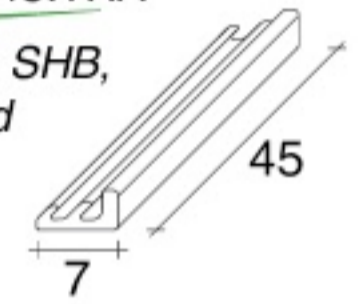


Transparent gasket to block support
Included in support, can be ordered separately

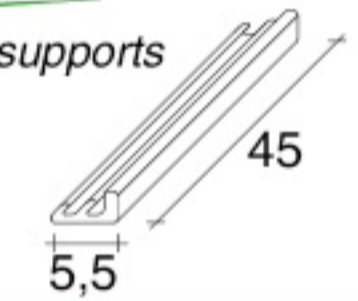
BSH.0022.TRA
for SHF supports



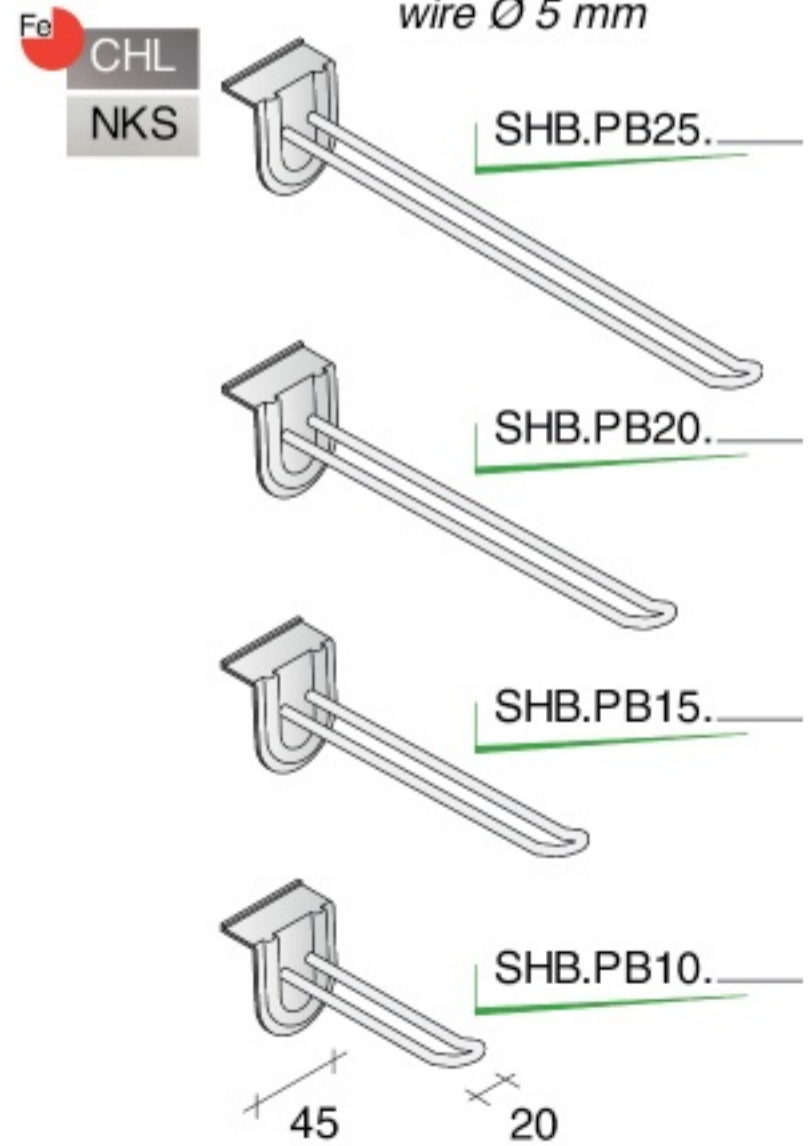
BSH.0045.TRA
for TOH, SHB, SHQ and RDH



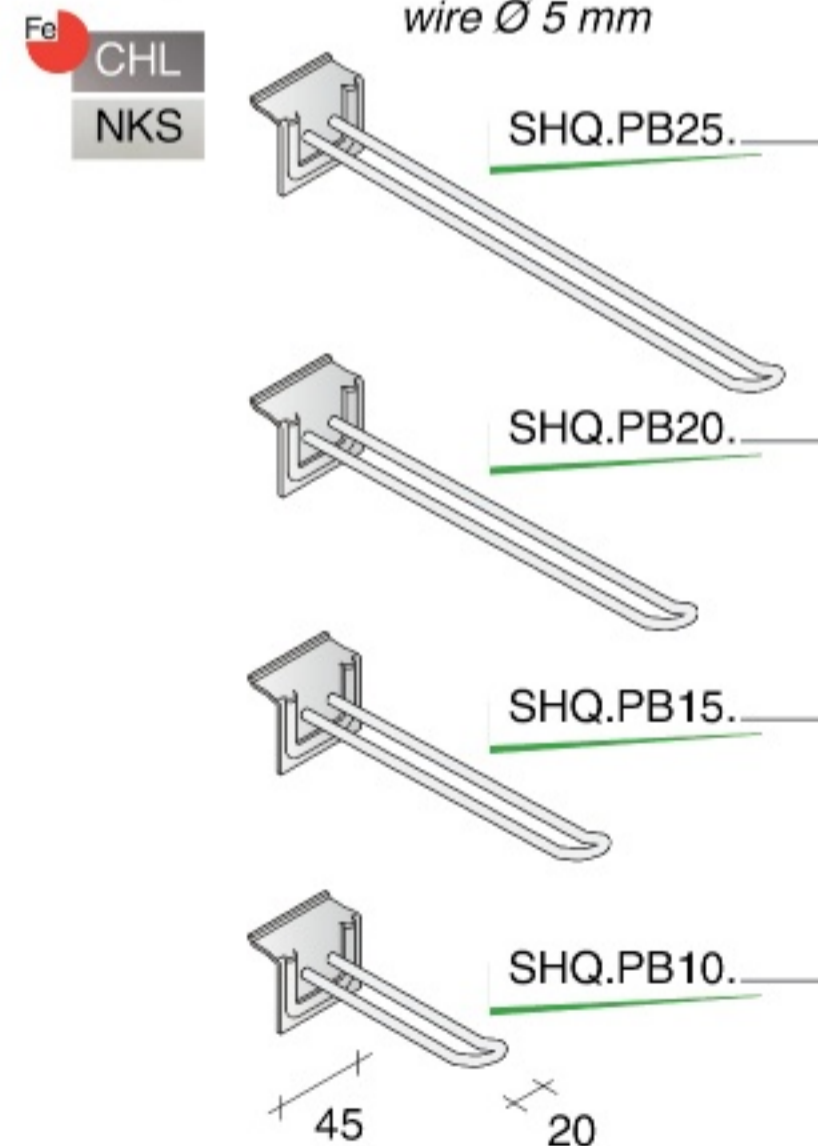
BSH.0045.TRA
for SHT supports



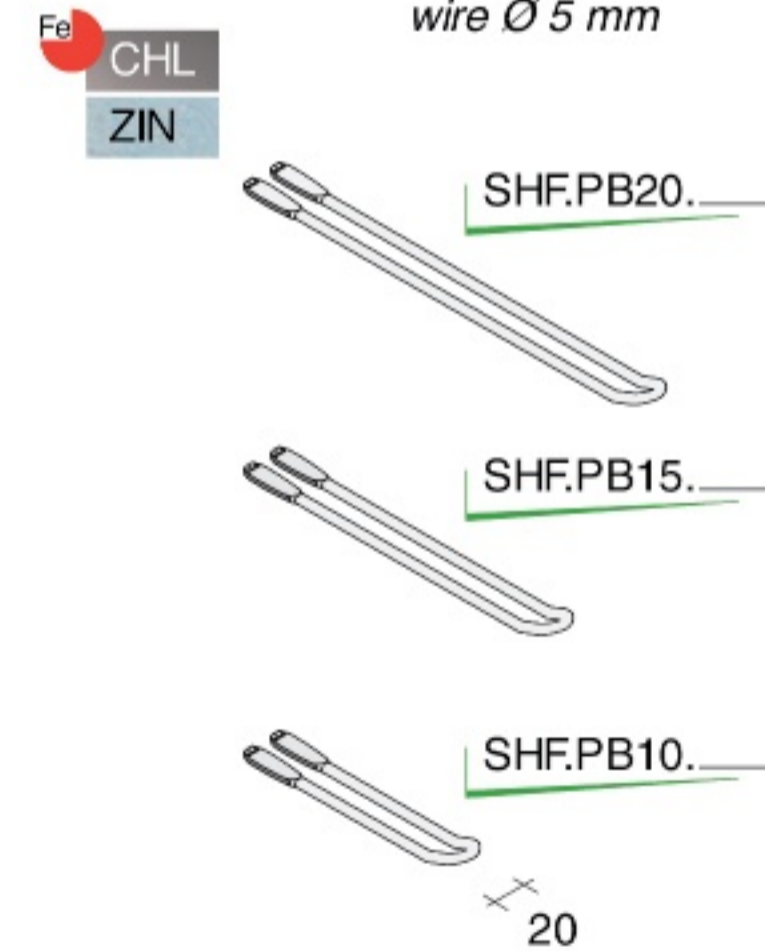
SHB series - from 100 to 250 mm wire Ø 5 mm



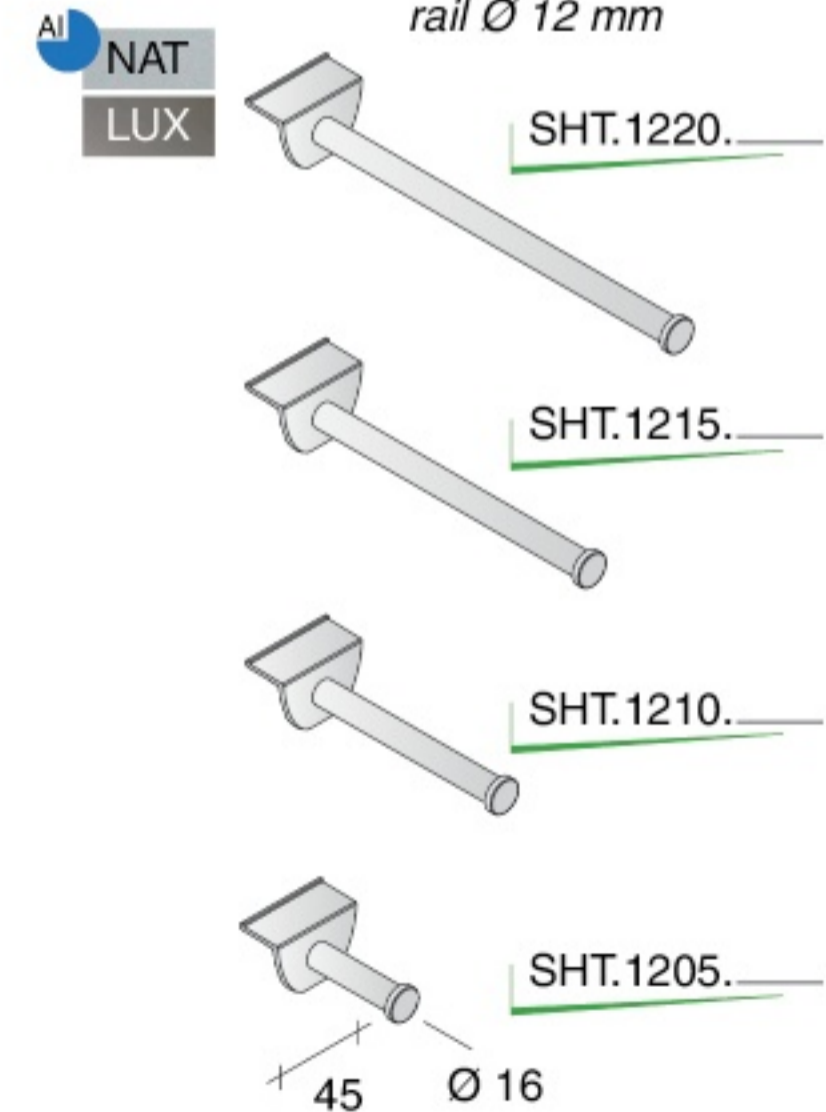
SHQ series - from 100 to 250 mm wire Ø 5 mm



SHF series - from 100 to 200 mm wire Ø 5 mm



SHT series - from 50 to 200 mm rail Ø 12 mm



LOADING CAPACITIES on PAGES 80-81

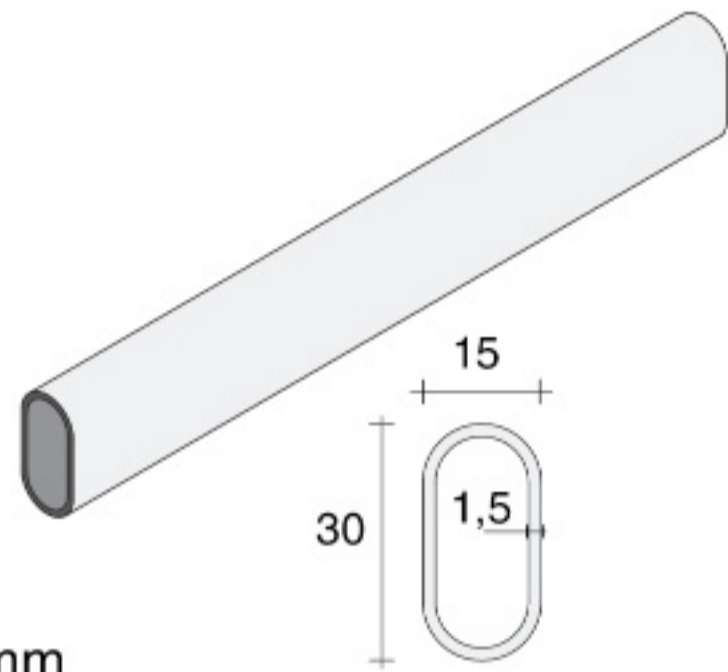
B30 - OVAL ROD 30 x 15 mm



RODS

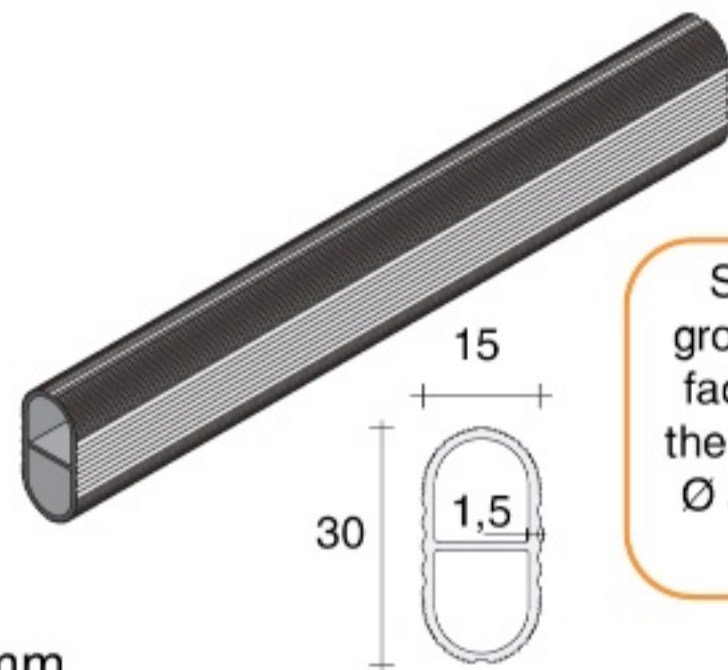
B30

Fe CHL
NKS
SAM
 * OTT
ZIN
B30.2000.
 OVAL steel
 30 x 15
 length: 2000 mm

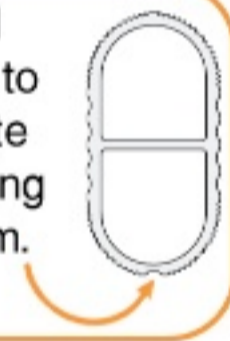


B30

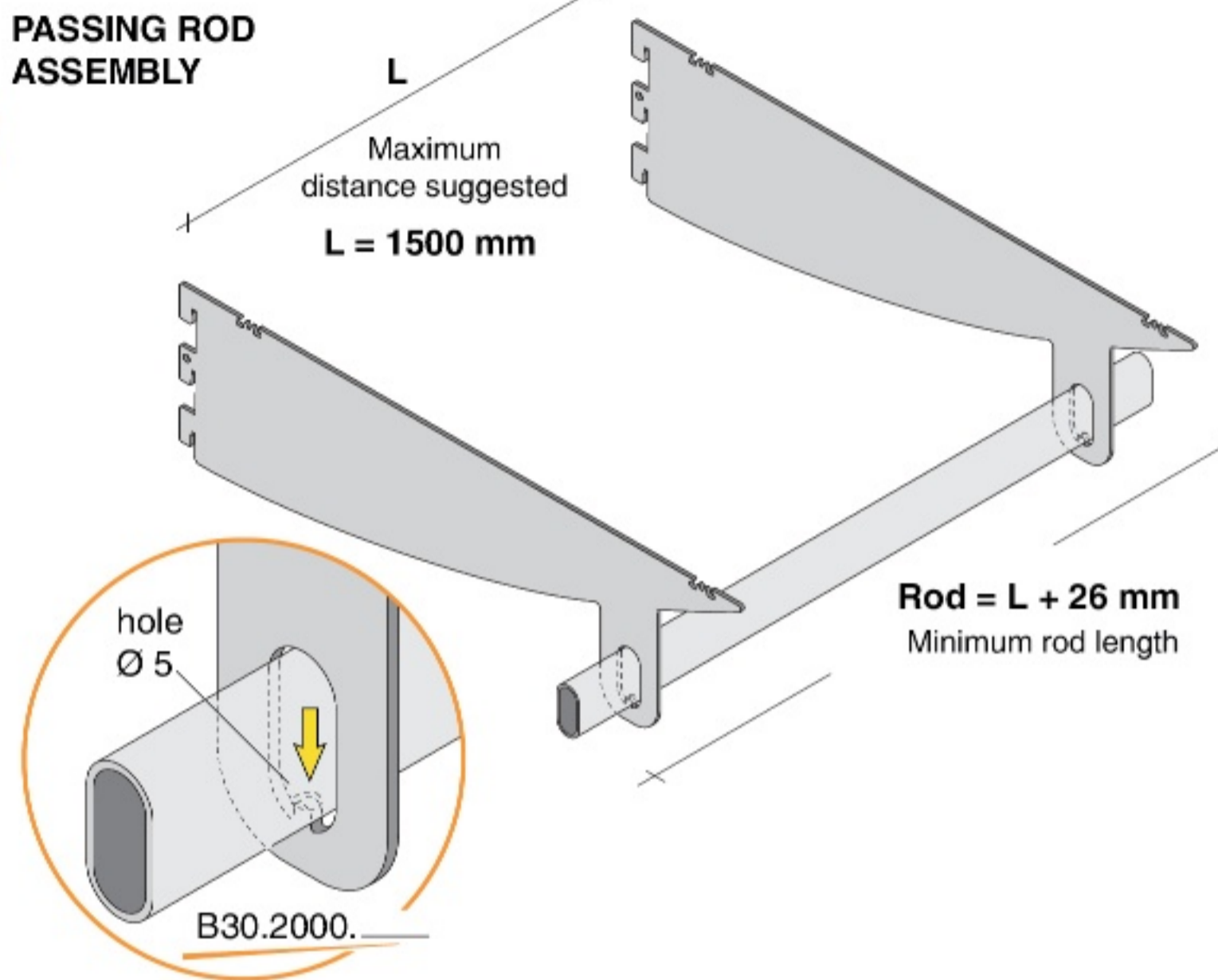
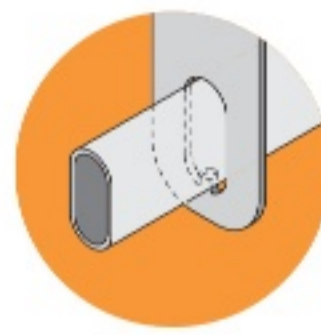
Al NAT
 * LUX
 * ORO
B30.3000.
 OVAL aluminium
 30 x 15
 length: 3000 mm



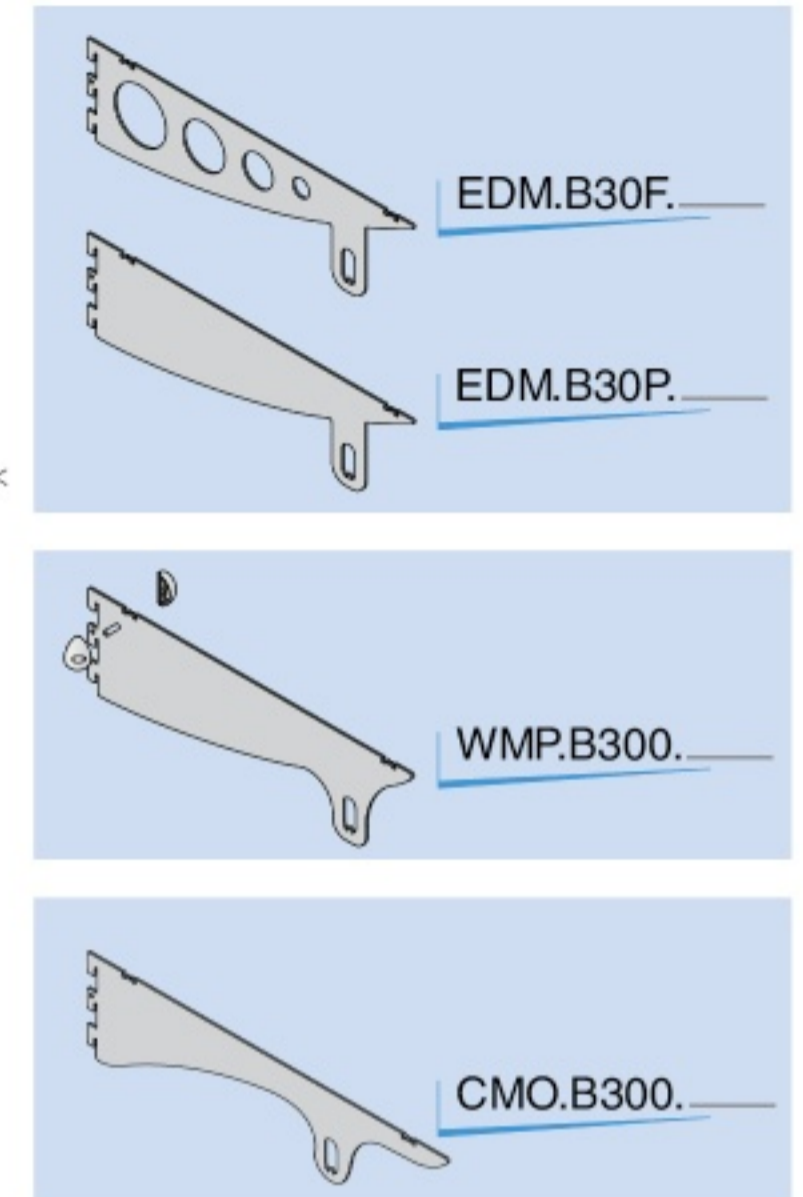
Small groove to facilitate the drilling Ø 5 mm.



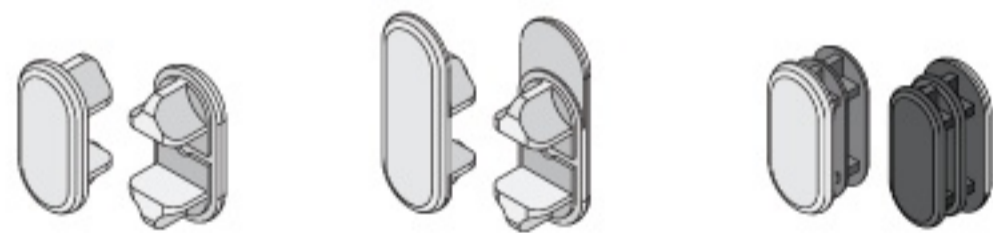
PASSING ROD ASSEMBLY



COMPATIBLE SUPPORTS



FINISHING END CAPS



B30.TMFI

Fe
 B30.TMFI.CHL
 B30.TMFI.DOR
 B30.TMFI.NKS
 B30.TMFI.OTT*
 B30.TMFI.SAM

B30.TMRI

Fe
 B30.TMRI.CHL
 B30.TMRI.DOR
 B30.TMRI.NKS
 B30.TMRI.OTT*
 B30.TMRI.SAM

B30.TPFI

P
 B30.TPFI.CHL
 B30.TPFI.NER
 B30.TPFI.SAT

Plastic cap NOT-compatible with aluminium ROD

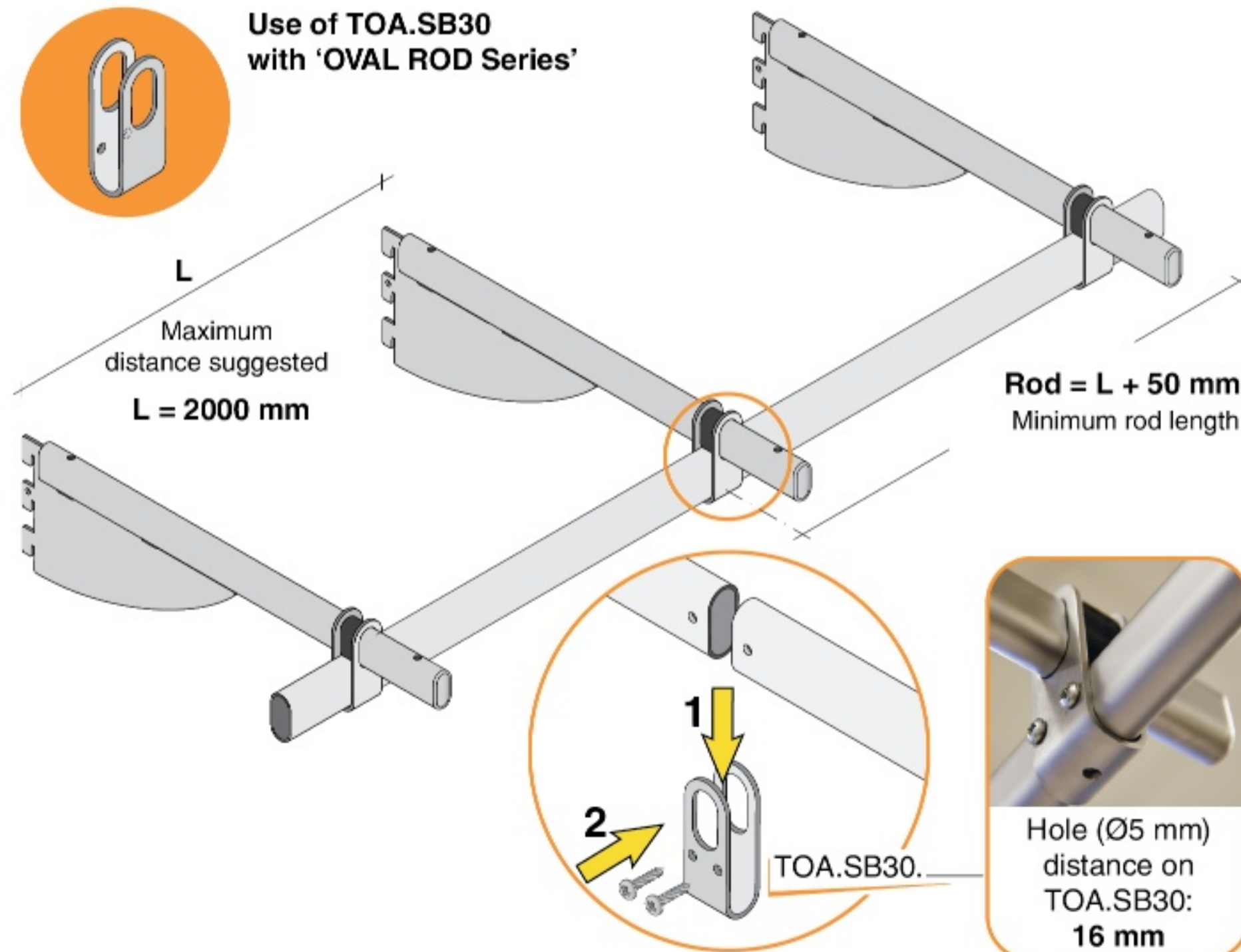
ROD SUPPORT



TOA.SB30

Fe
 TOA.SB30.CHL
 TOA.SB30.NKS
 TOA.SB30.OTT*
 TOA.SB30.SAM

Use of TOA.SB30 with 'OVAL ROD Series'



COMPATIBLE SUPPORTS

