

EQUIPPABLE PROFILE AND FINISHING PROFILES

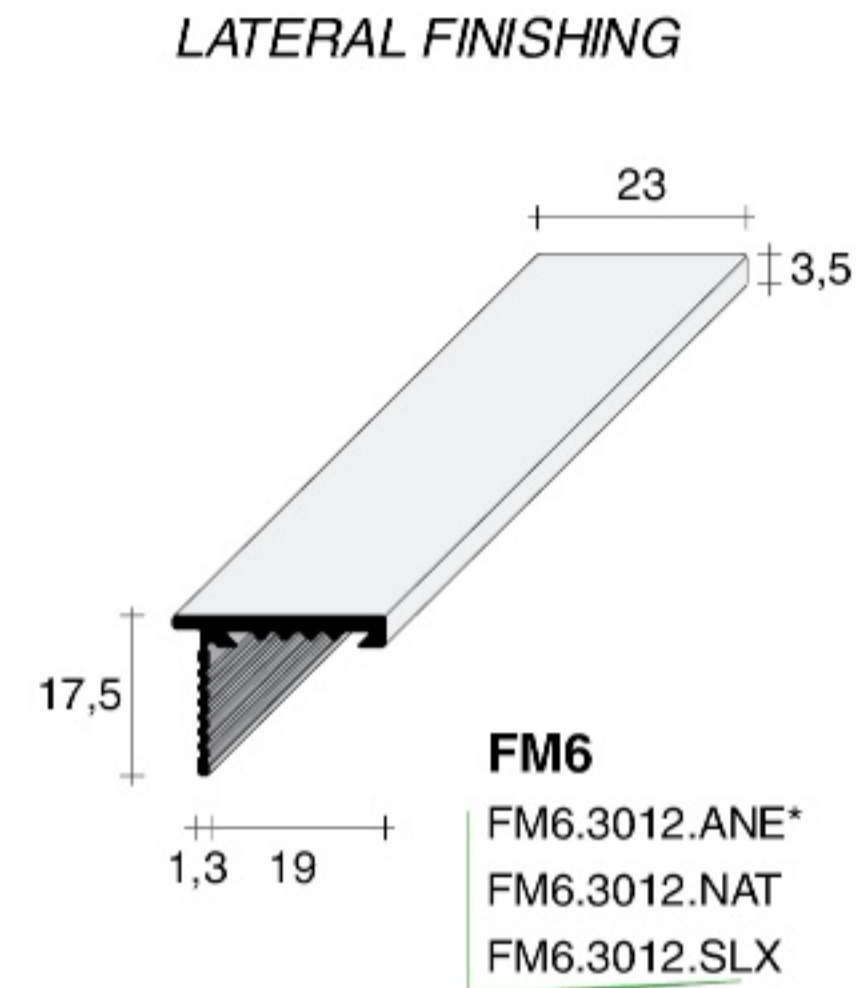
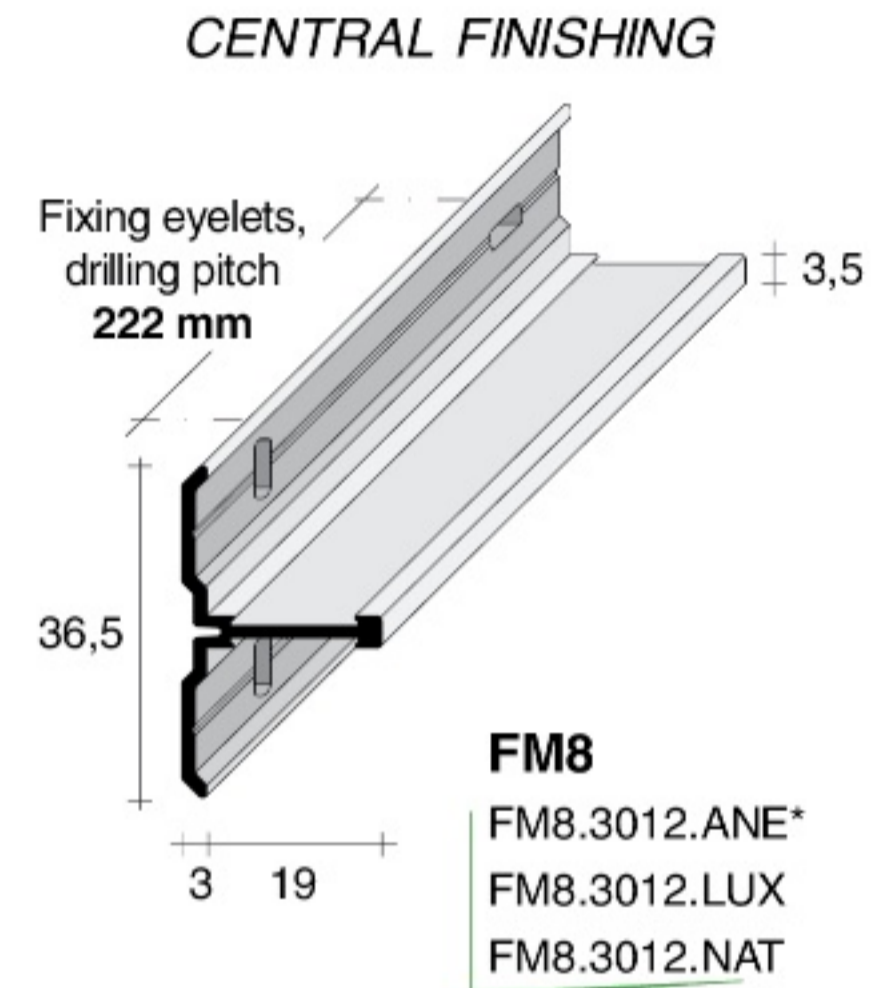
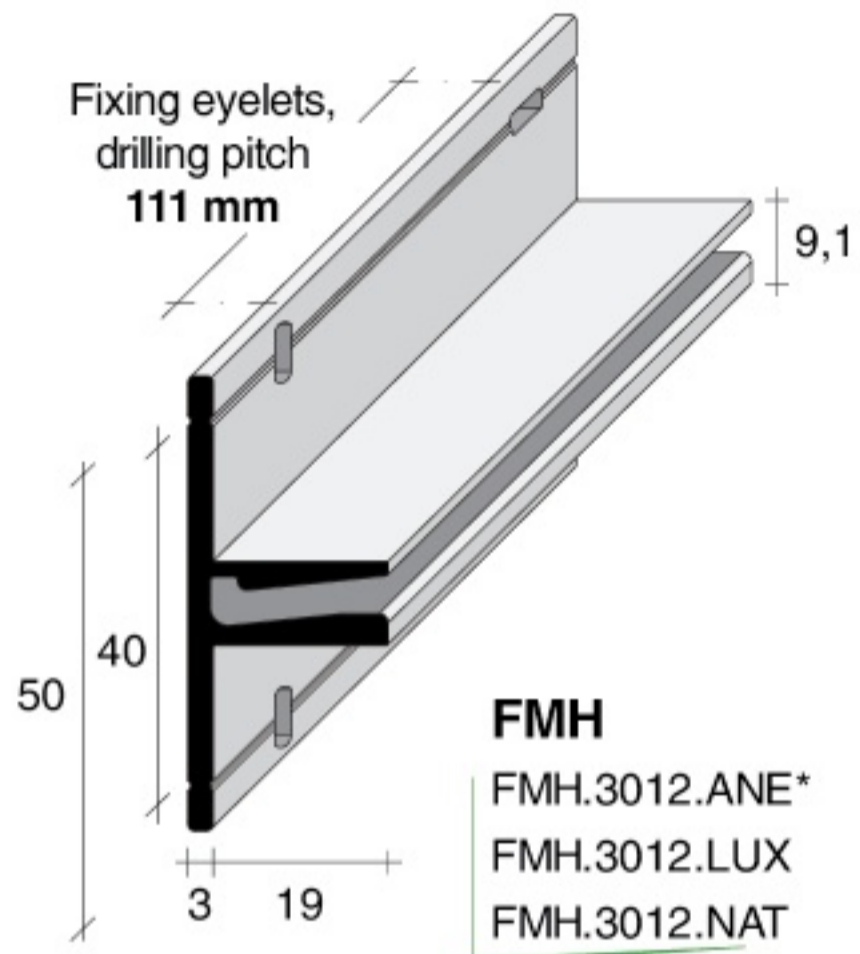
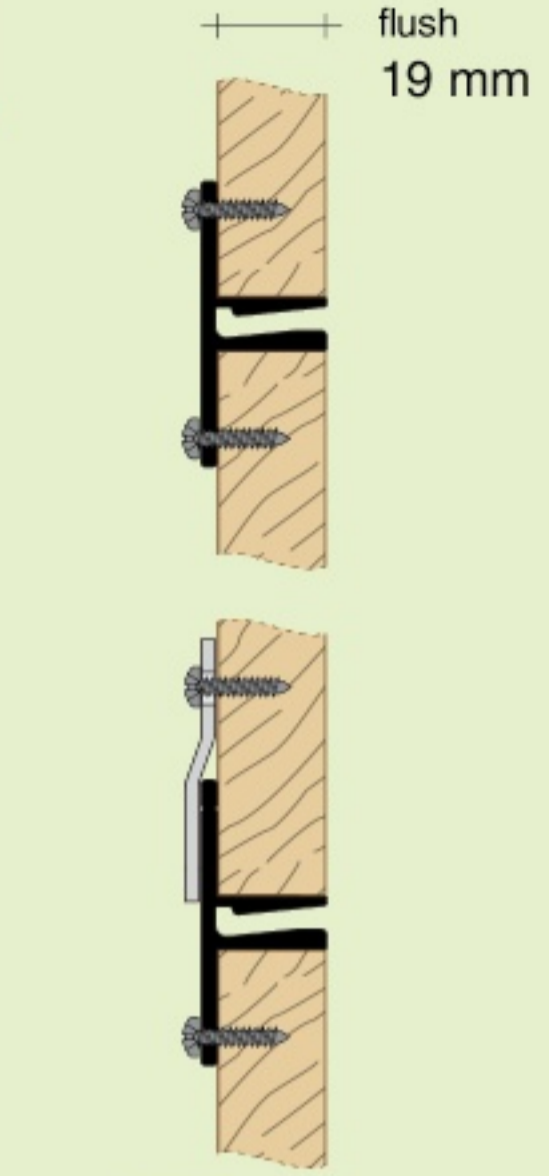
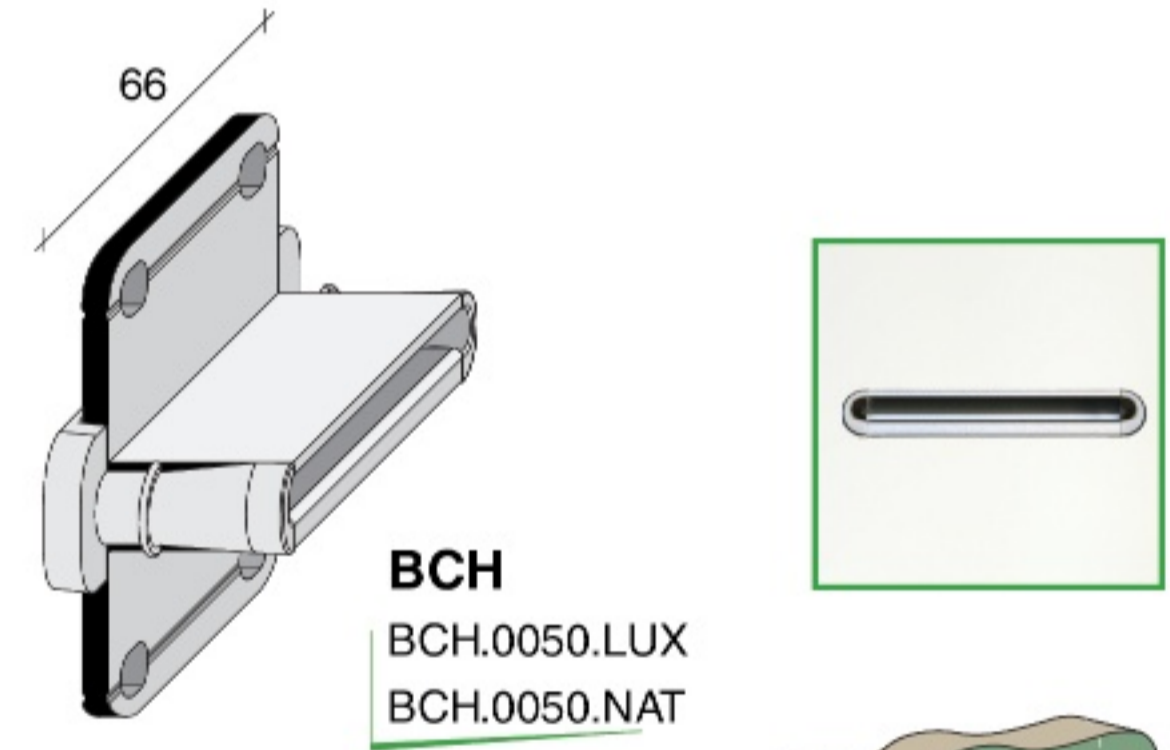
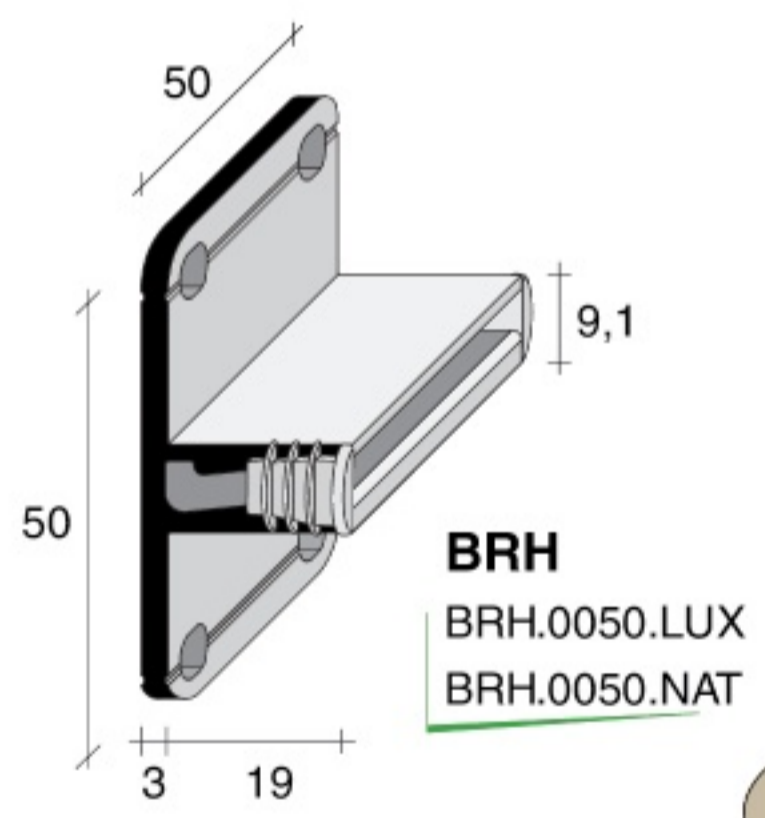


Plate for assembly on long spans

PST.FMH1.ZIN



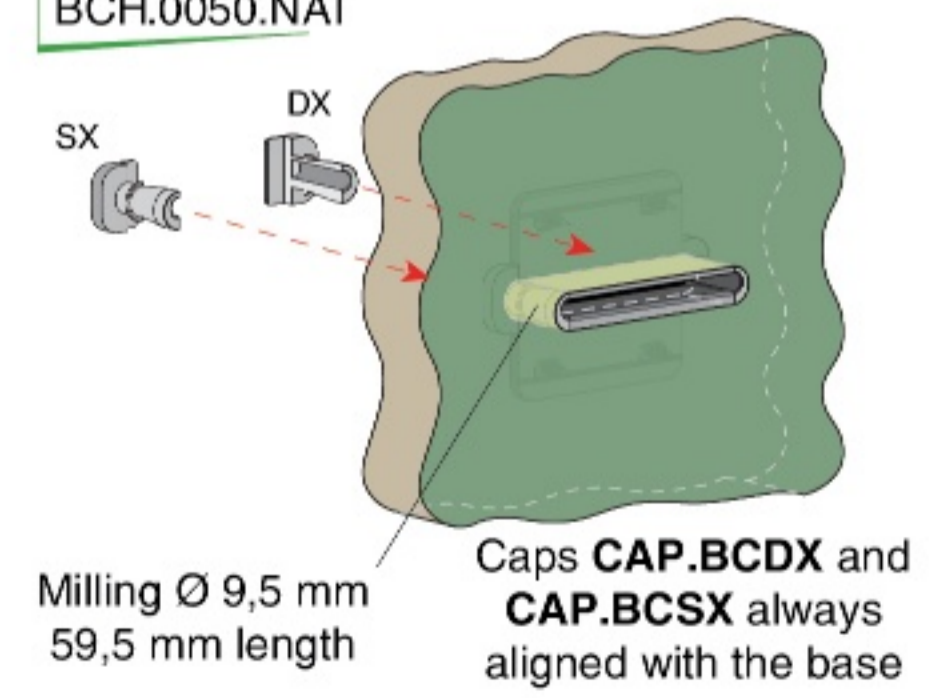
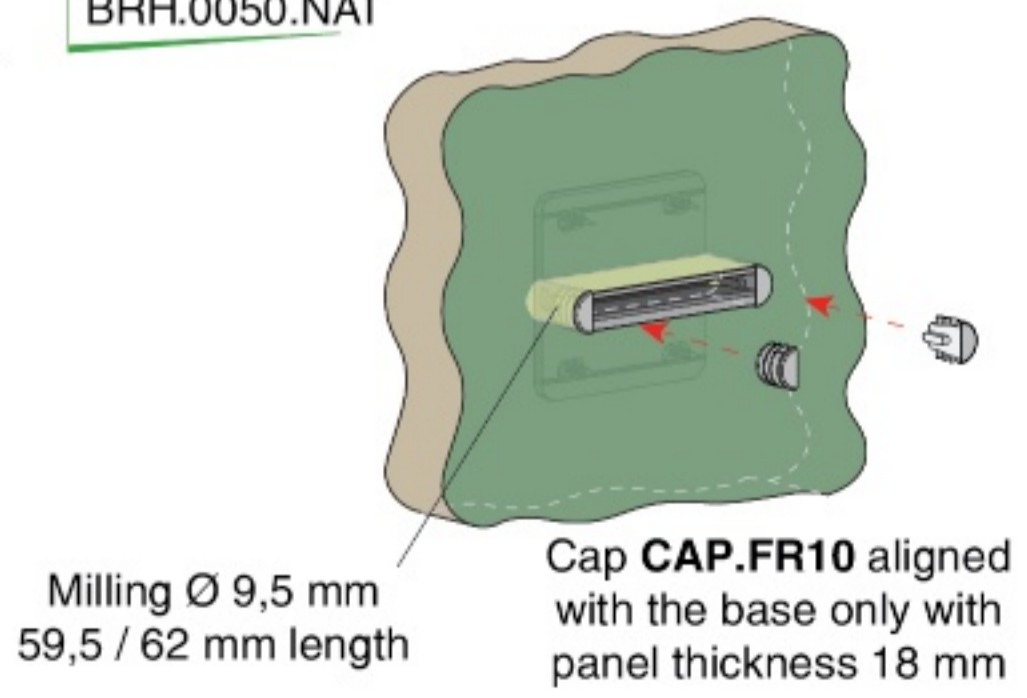
SINGLE POINT SUPPORT



Finishing end cap

CAP.FR10
 CAP.FR10.CHL
 CAP.FR10.GRI
 CAP.FR10.NKS

CAP.BCDX
CAP.BCSX
 CAP.BCDX.CHL
 CAP.BCSX.CHL
 CAP.BCDX.NKS
 CAP.BCSX.NKS



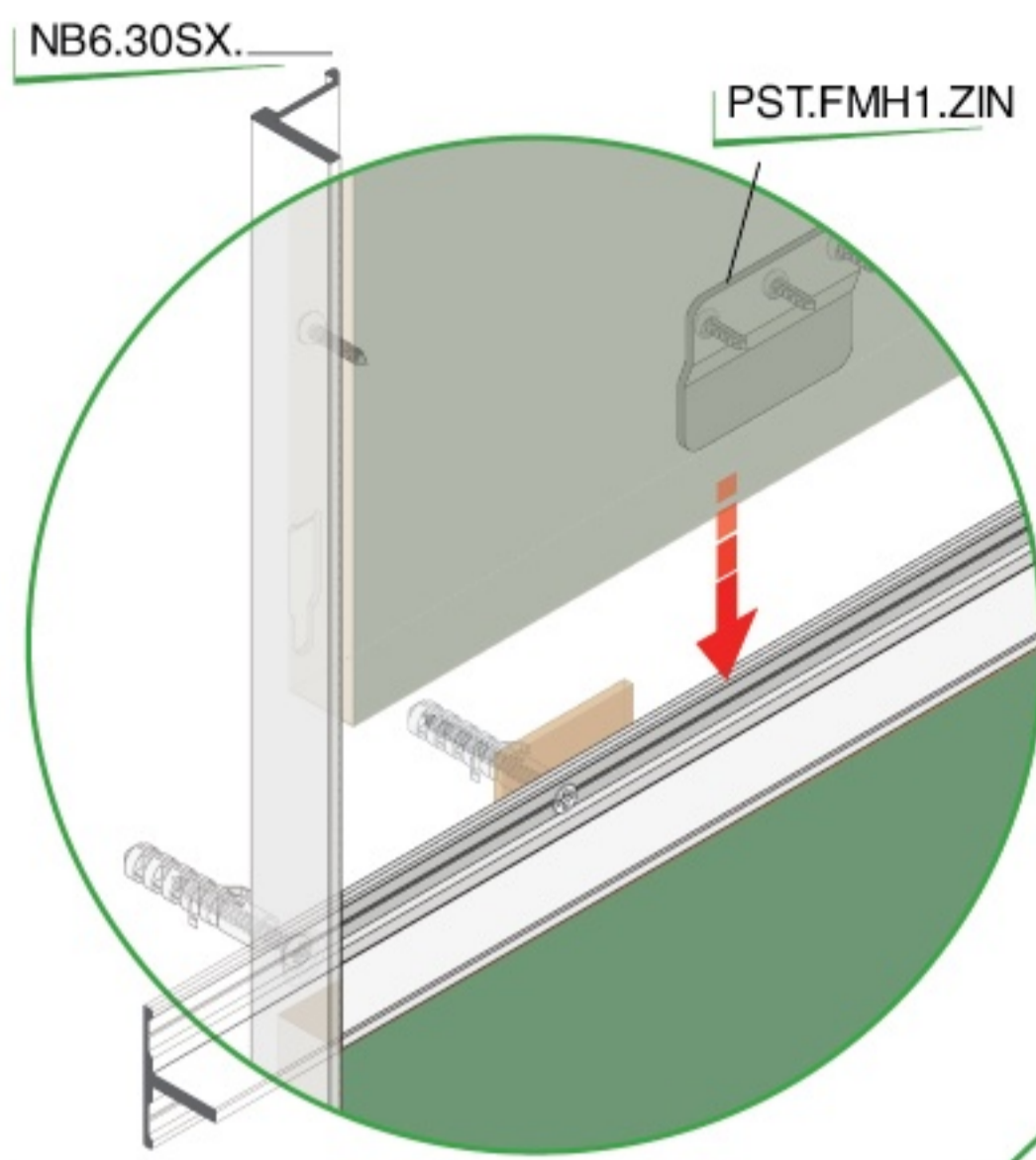
Length in mm
 3012

AI	NAT	SATINIZED SILVER
	ANE	BLACK
	LUX	BRILLIANT

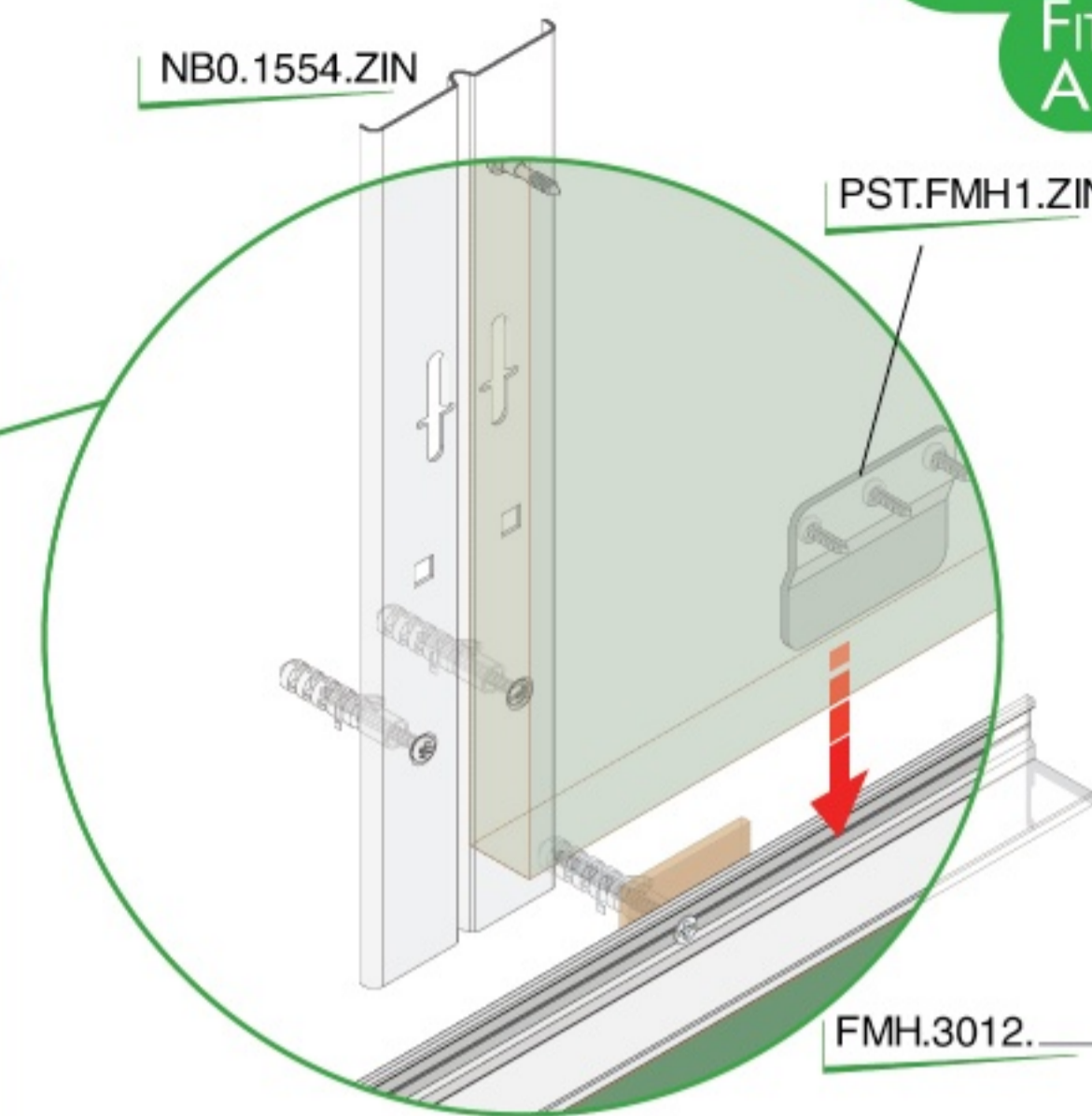
* special items



FM series

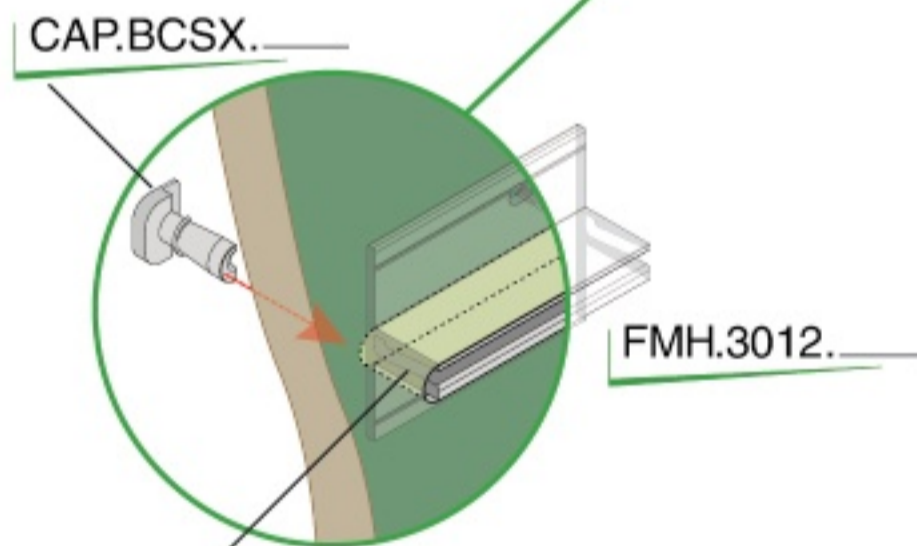


FM8.3012.
cut at 45°

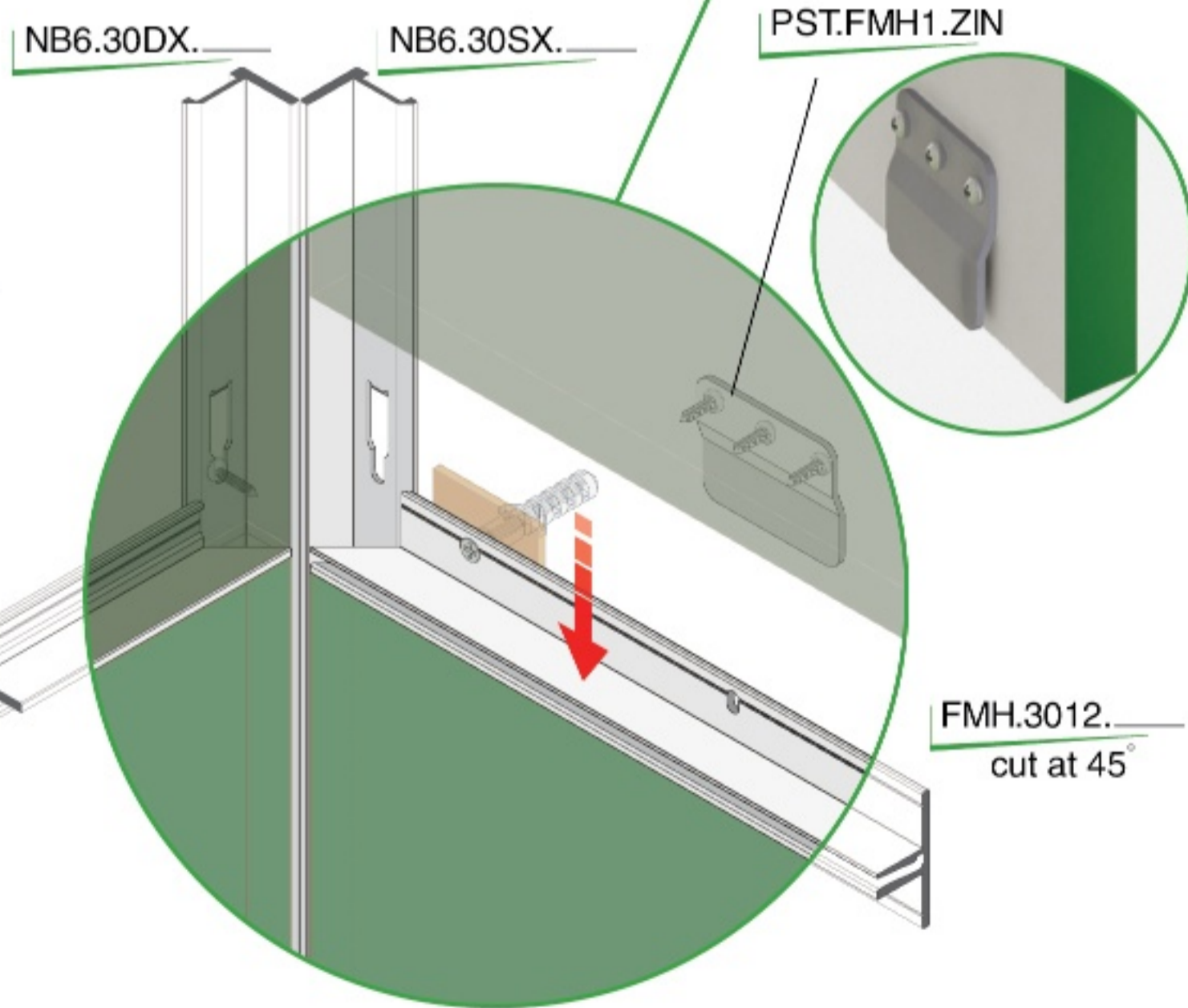


FMH.3012.
cut at 45°

NB9.3012.
with opening for
horizontal profile
insertion

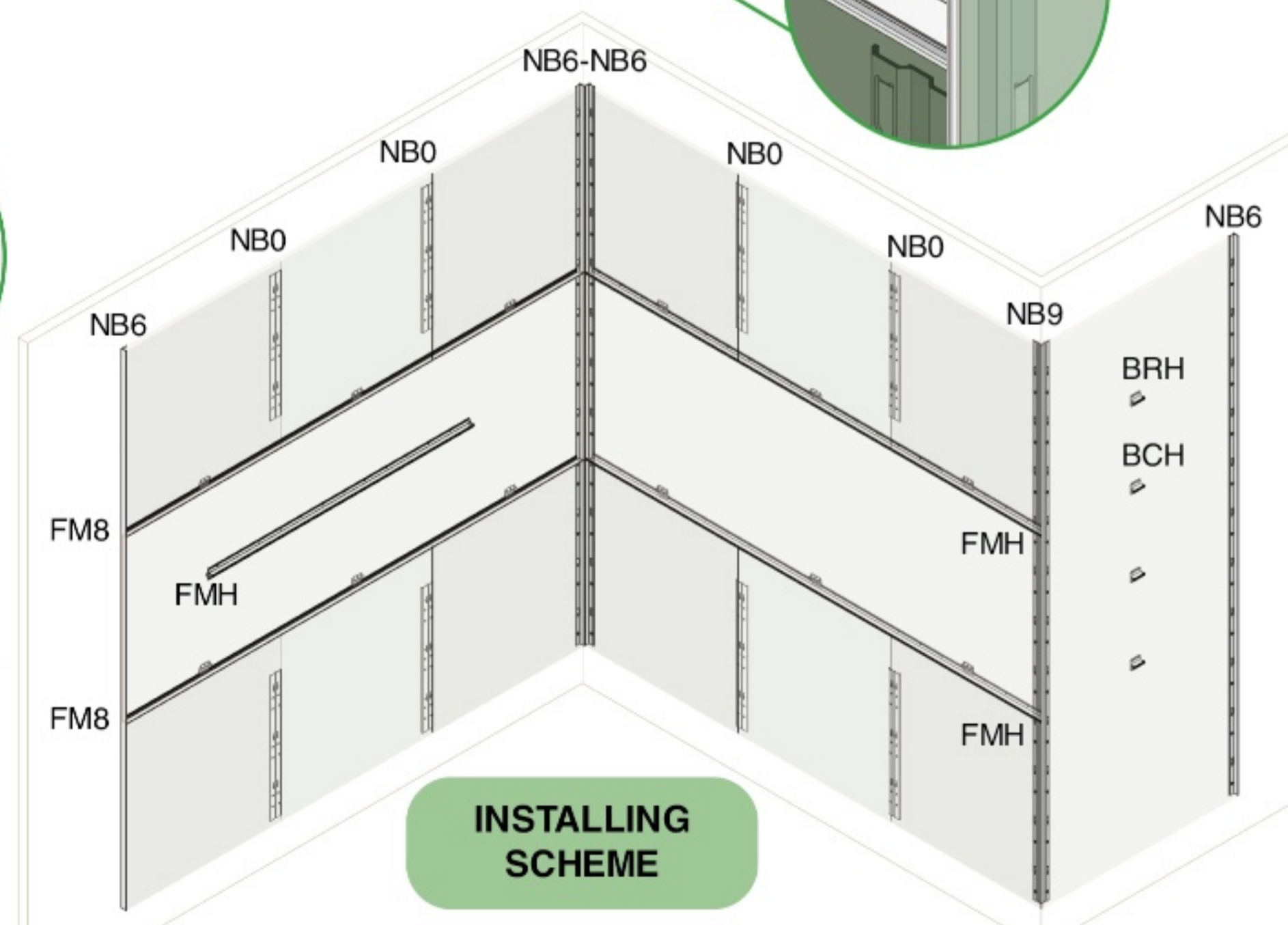


milling
Ø 9,5 mm



FM8.3012.
cut at 45°

FMH.3012.
cut at 45°



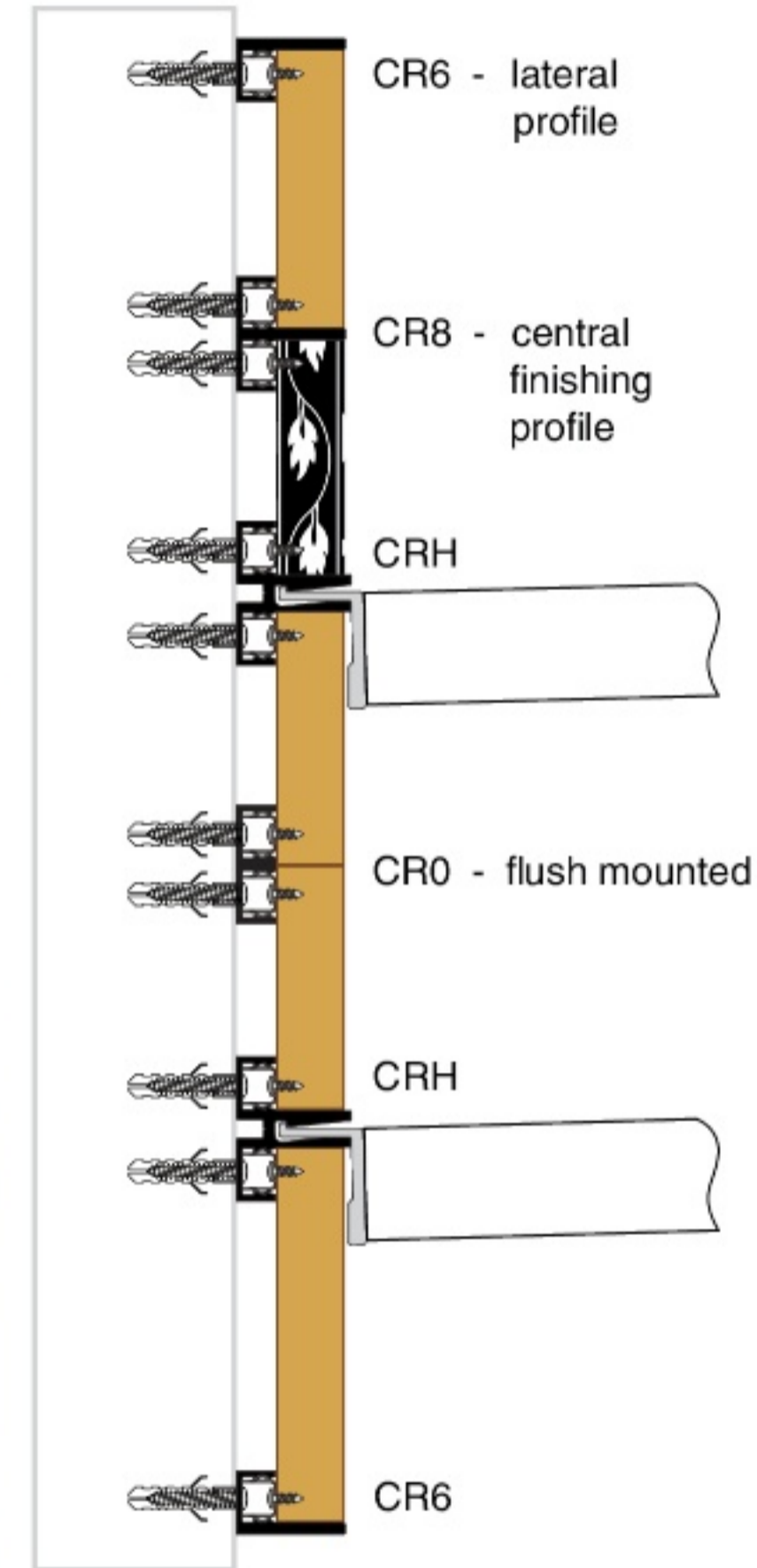


HORIZONTAL

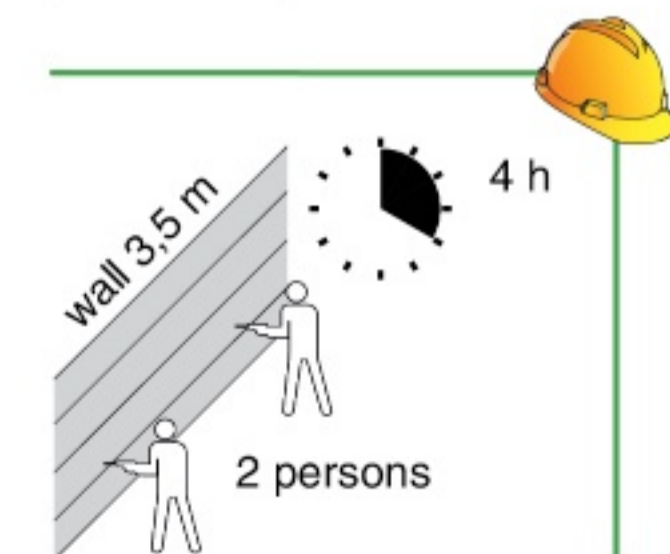
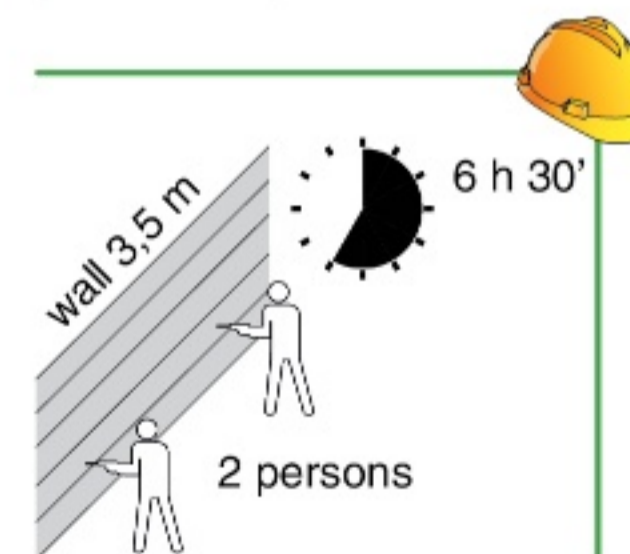
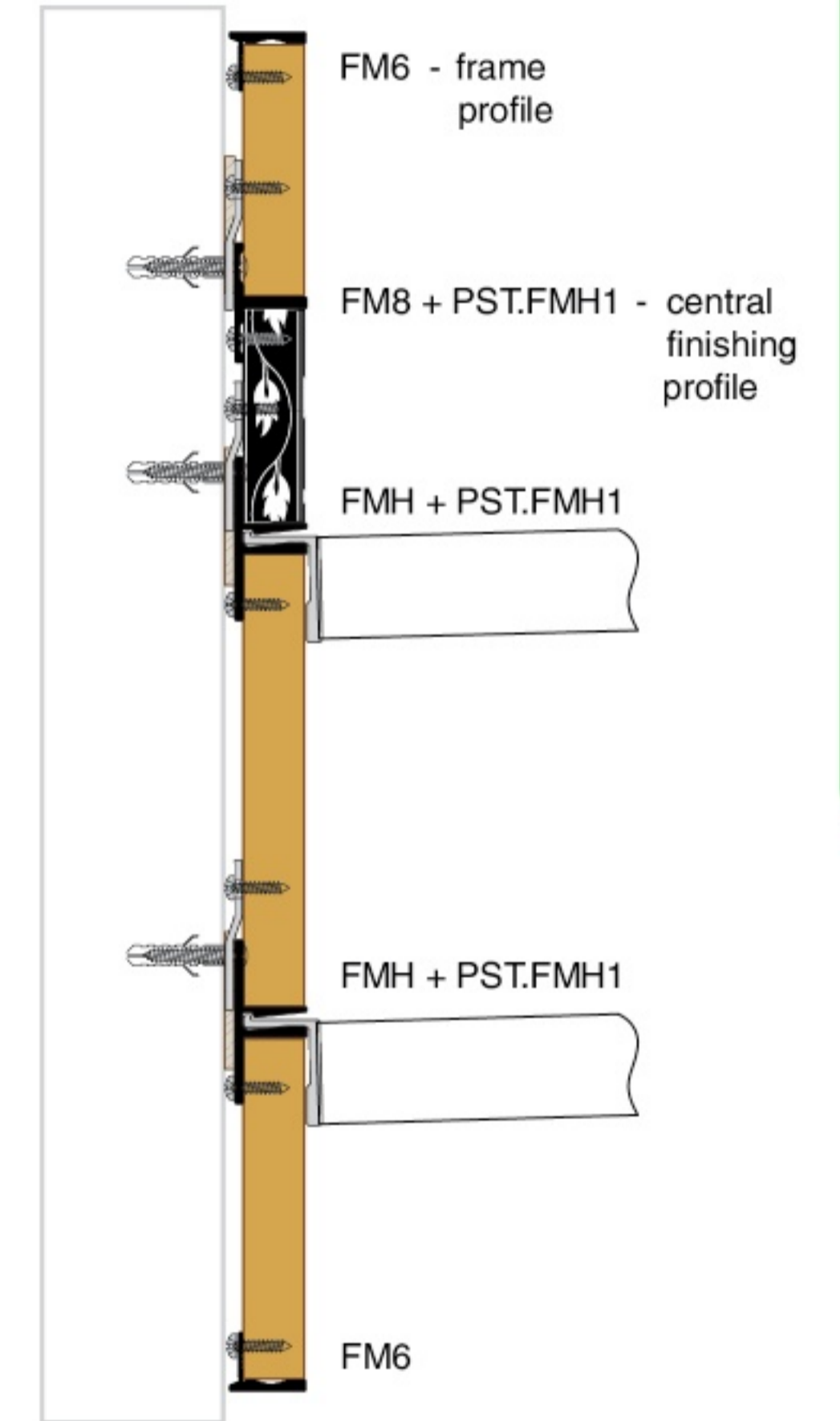


COMPARISON BETWEEN CRH AND FMH

Removable panels on CR series



FMH assembly on NB system

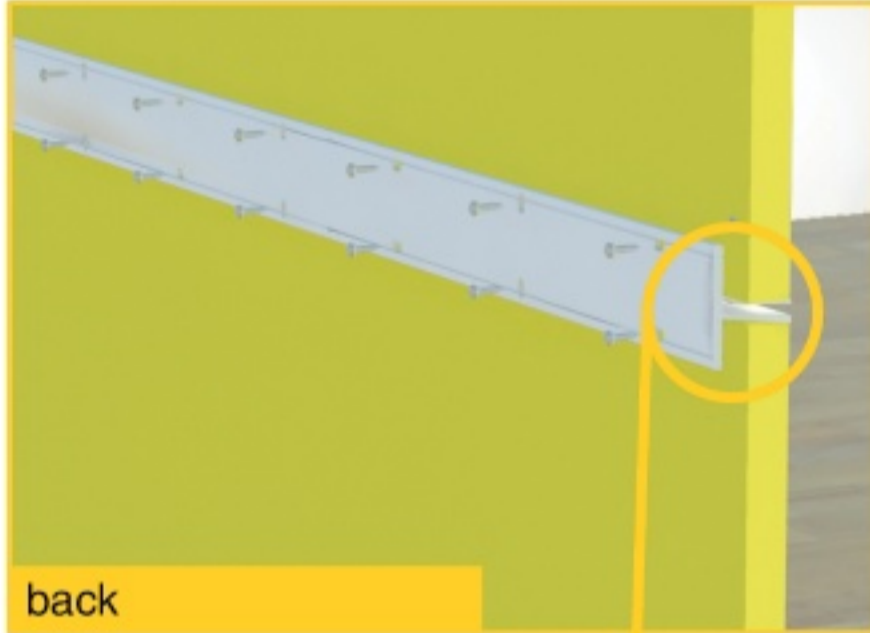


NB system

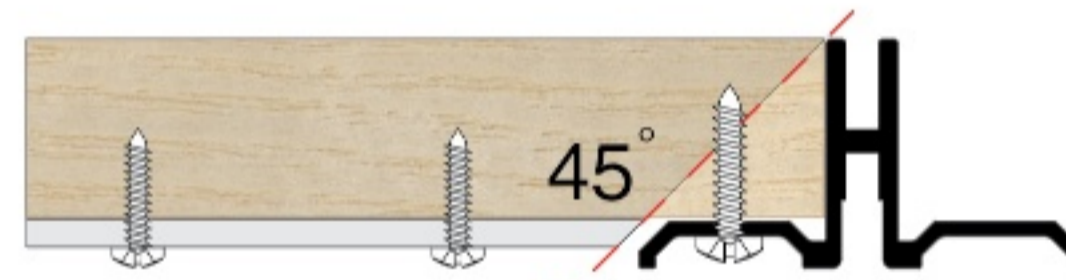
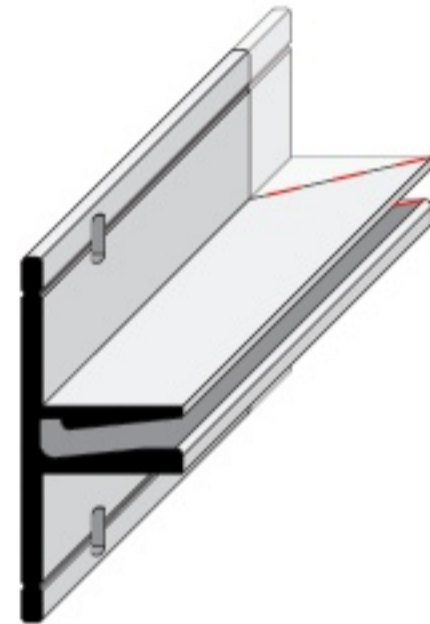
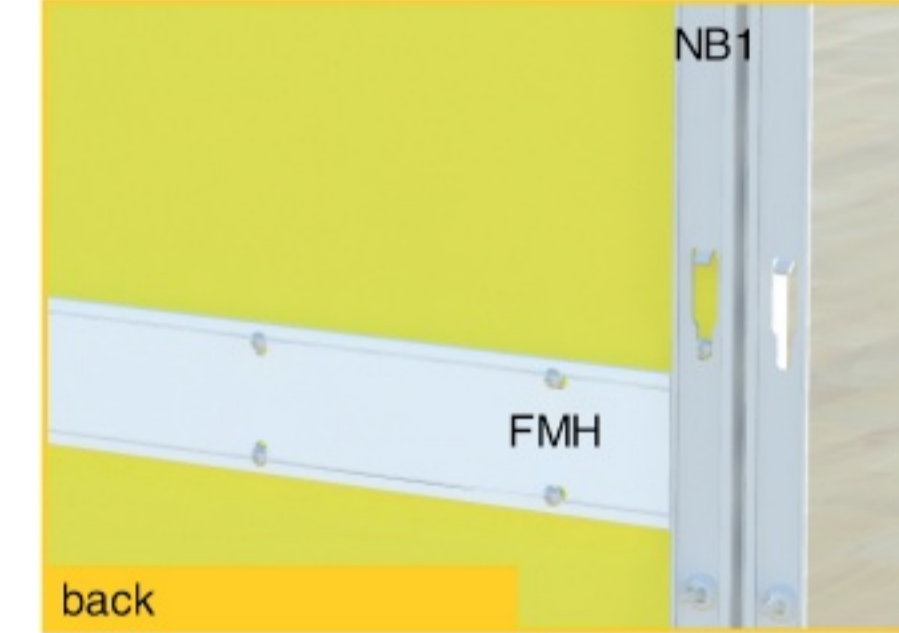
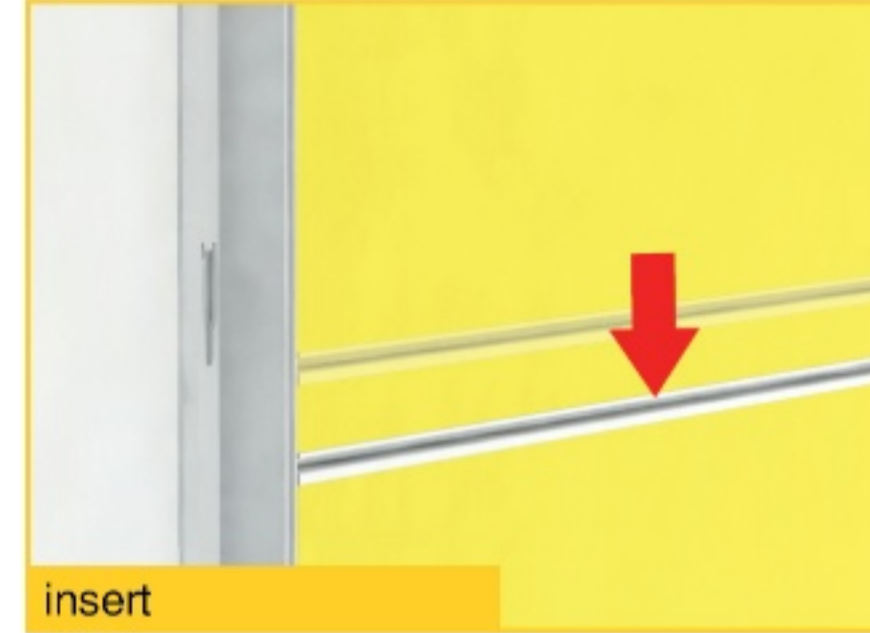
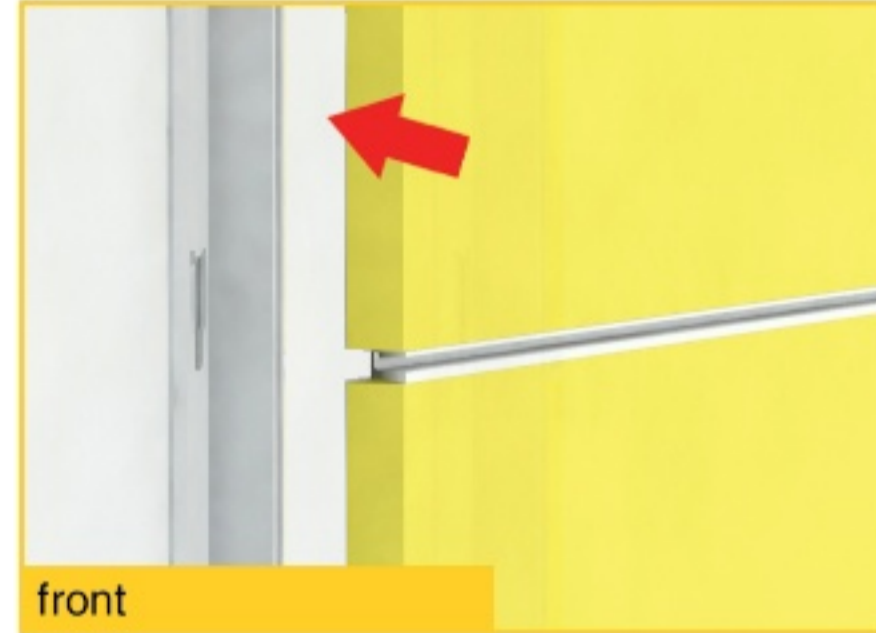


NB SYSTEM COMPATIBILITY WITH FMH HORIZONTAL PROFILE

1) Fixing of the FMH horizontal profile to the panels



2) Panels assembly with FMH on NB profiles, previously fixed to the wall



45° cut for flush junction with NB profile



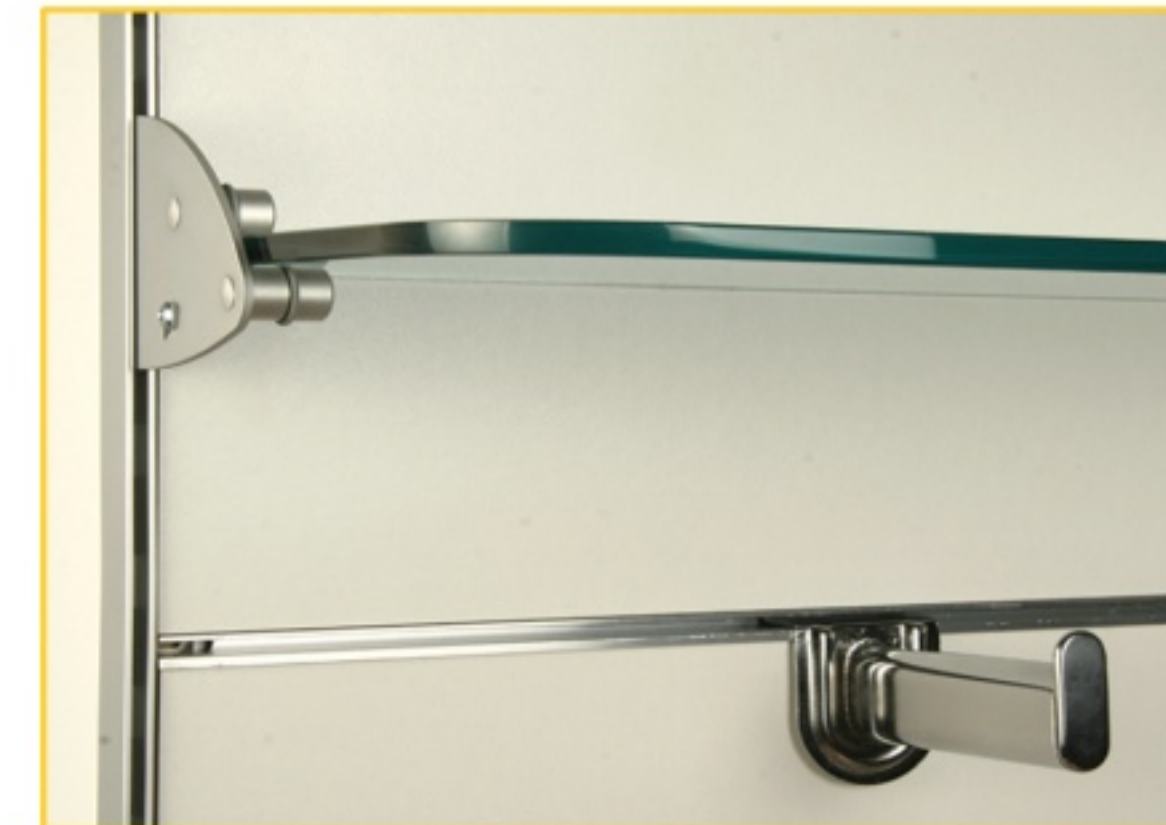
More details in the
HORIZONTAL SYSTEM
section, pages 72/73



NB2 and NB9 with FMH

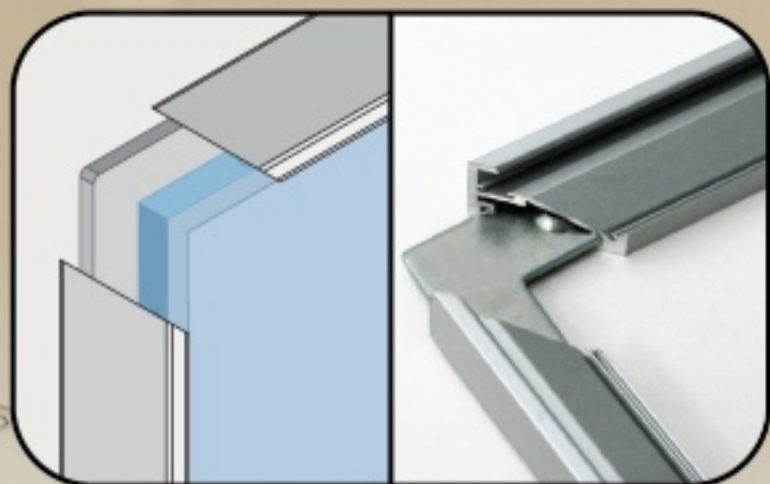


NB6 with FMH

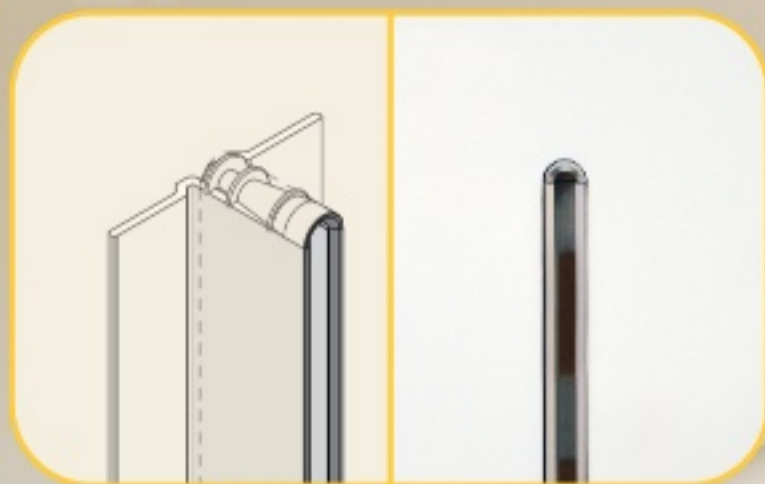


NB7 with FMH

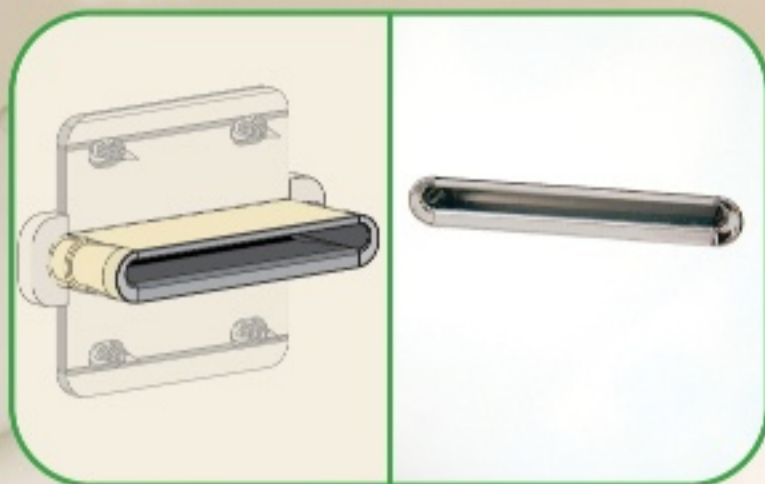
TL5



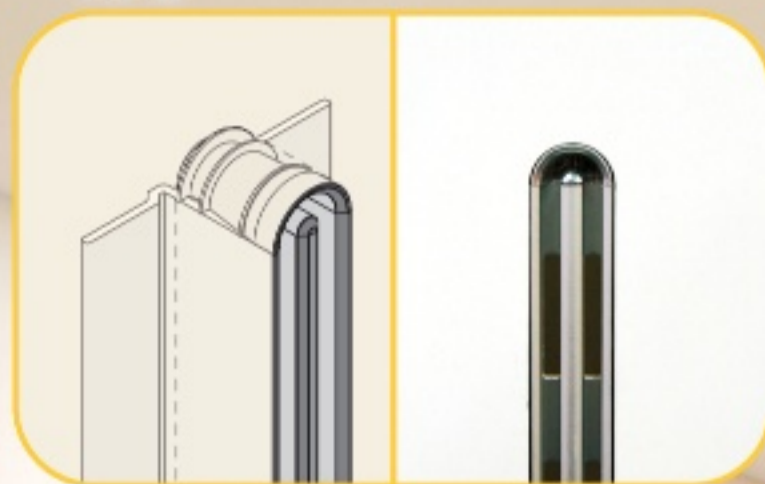
RP1



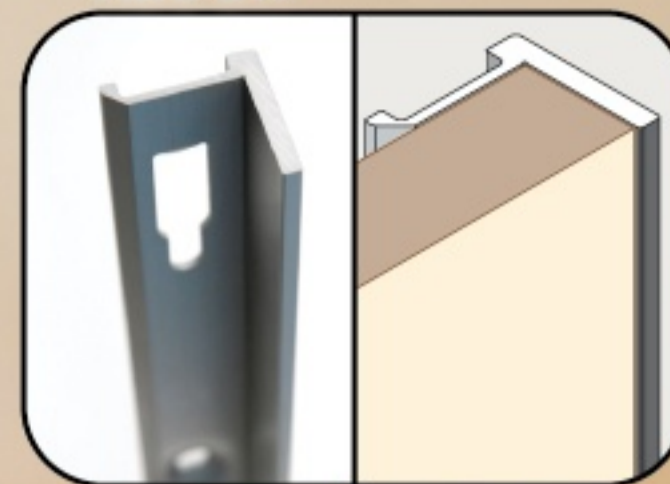
BCH



RP2



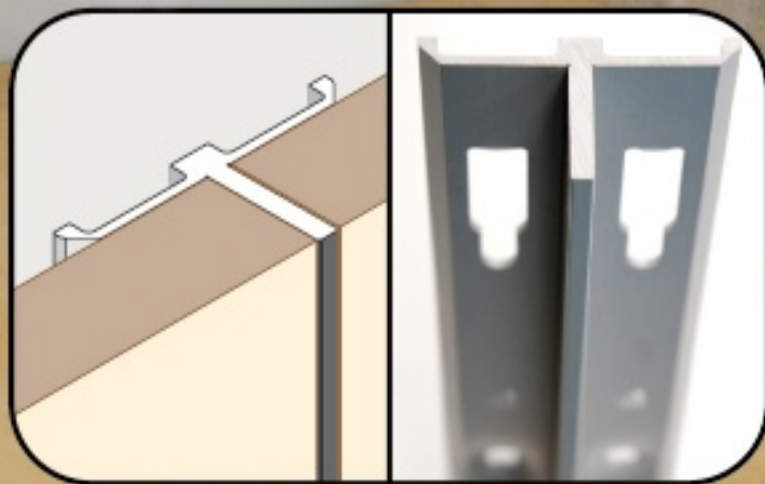
NB6 DX



NB0

FIT ART®

NB8



FMH

