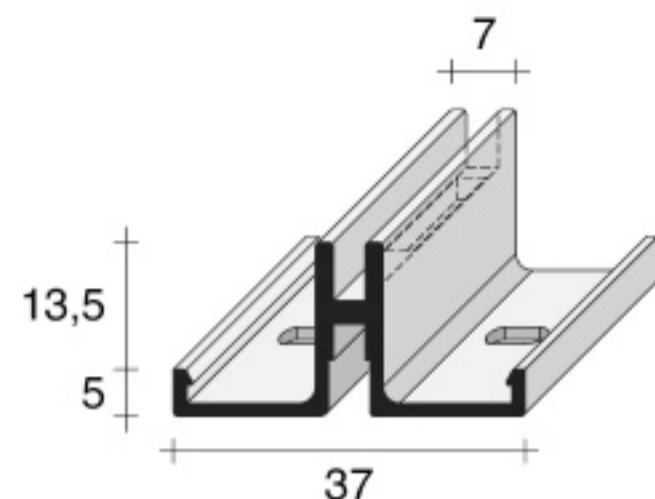


For 13 mm panel thickness - as plasterboard

ALUMINIUM SLOTTED PROFILES

SINGLE



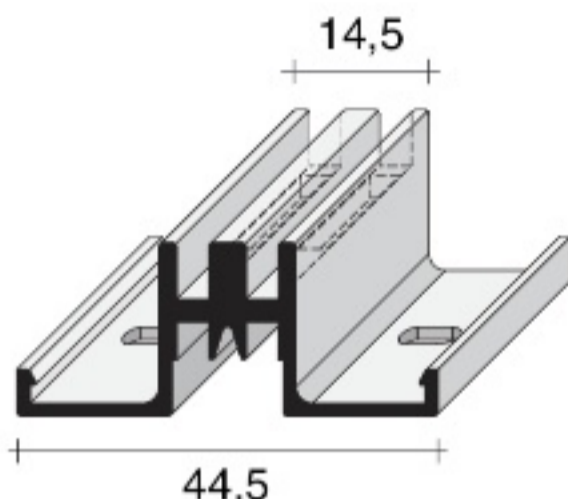
CG1

CG1.2013.NAT

CG1.2531.NAT
CG1.2531.ORO*

CG1.3012.ANE*
CG1.3012.NAT
CG1.3012.ORO

DOUBLE



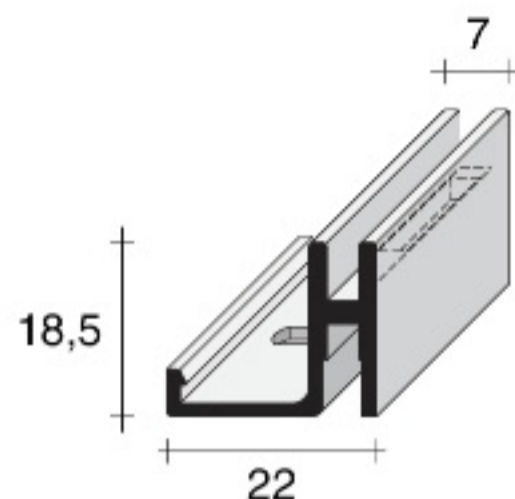
CG2

CG2.2013.NAT

CG2.2531.NAT
CG2.2531.ORO*

CG2.3012.ANE*
CG2.3012.NAT
CG2.3012.ORO

LATERAL

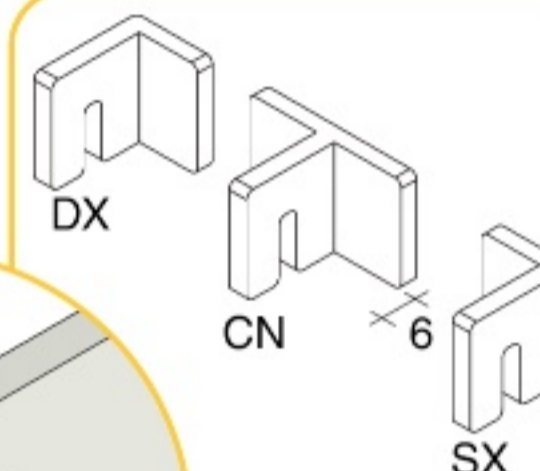


CG7

CG7.2013.NAT

CG7.2531.NAT
CG7.2531.ORO*

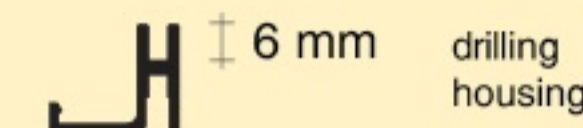
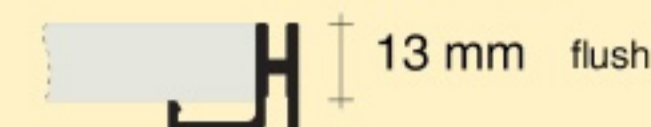
CG7.3012.ANE*
CG7.3012.NAT
CG7.3012.ORO



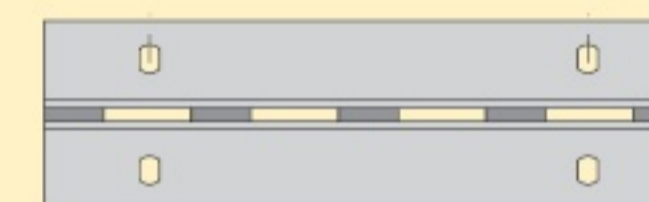
Panel hooks
FPN.06CN.TRA
FPN.06DX.TRA
FPN.06SX.TRA



Gaskets
GRN.10MT.ARG
GRN.10MT.NER



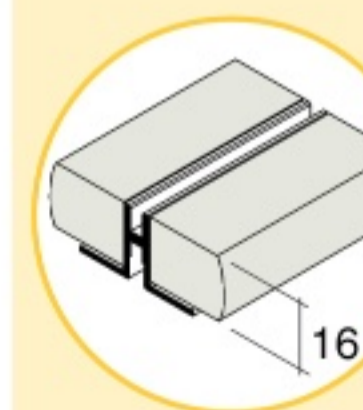
fixing eyelets
111



Lengths in mm

2013	2531	3012
------	------	------

AI	NAT	SATINIZED SILVER
	ANE	BLACK
	ORO	SATINIZED GOLD

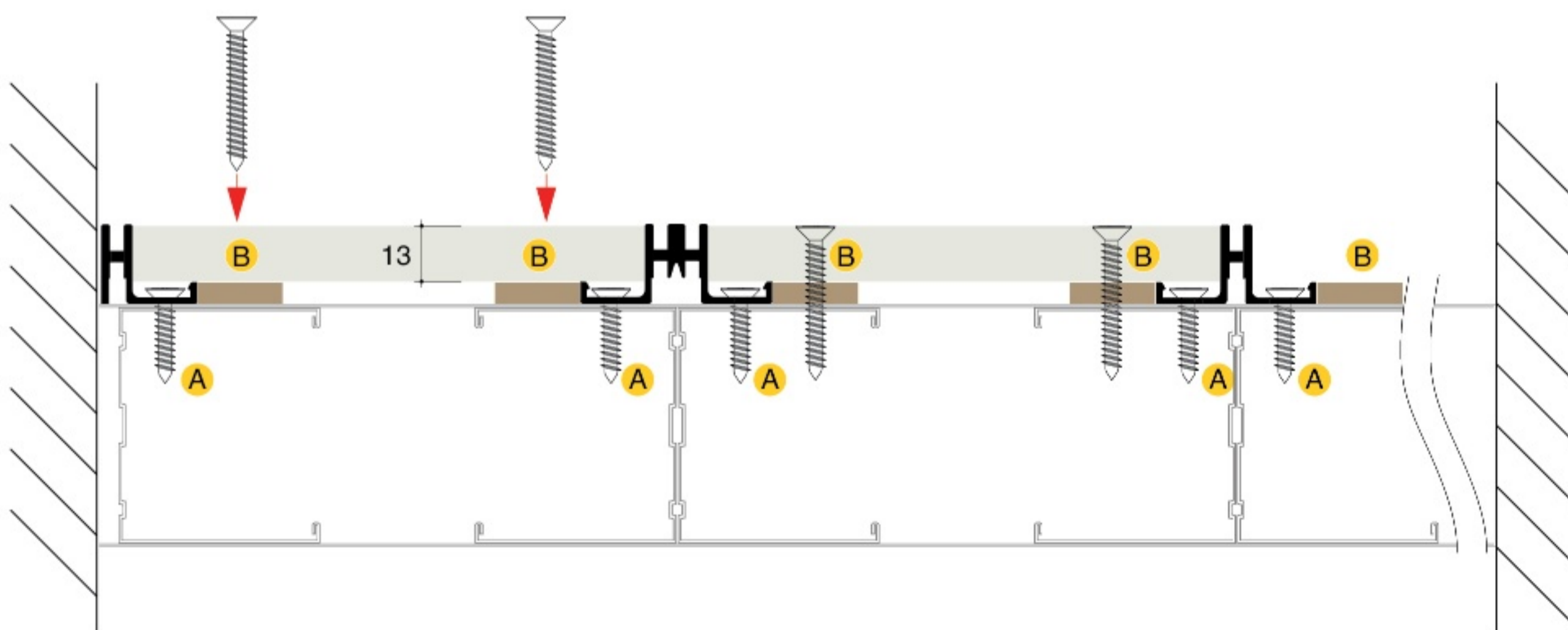


With 16 mm thickness lead-line plasterboard can be used the **CF1** profile

See EMBEDDED series, in the section SLOTTED PROFILES, page 28

* special items

TOP VIEW: ASSEMBLY OF CG ON PLASTERBOARD STRUCTURE

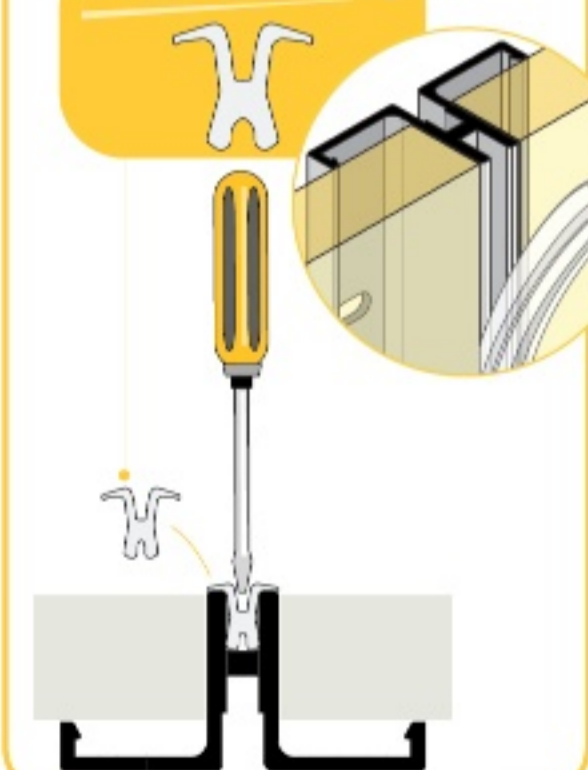


- A Slotted profile fixing to 2 linked uprights (fixed back to back).
- B Wood shim of 5 mm on which screwing the plasterboard panels to avoid the panel deforming.

Temporary gasket

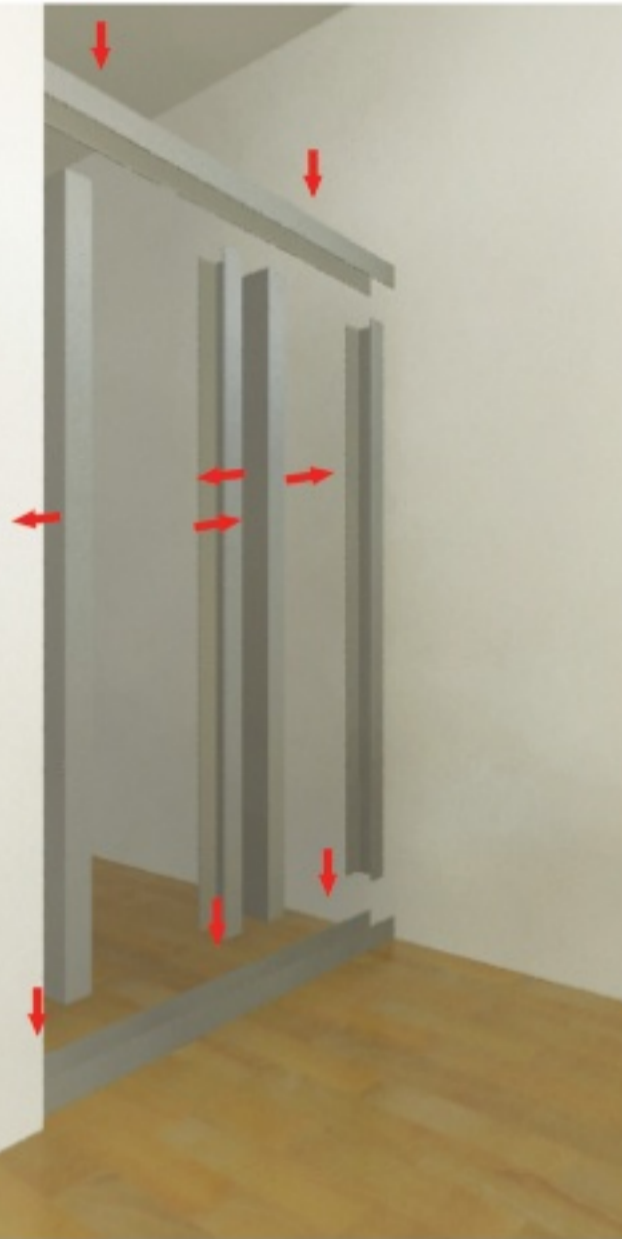
to be used only during mounting (extraction with flat-tip screwdriver)

PRZ.12MT.ARG

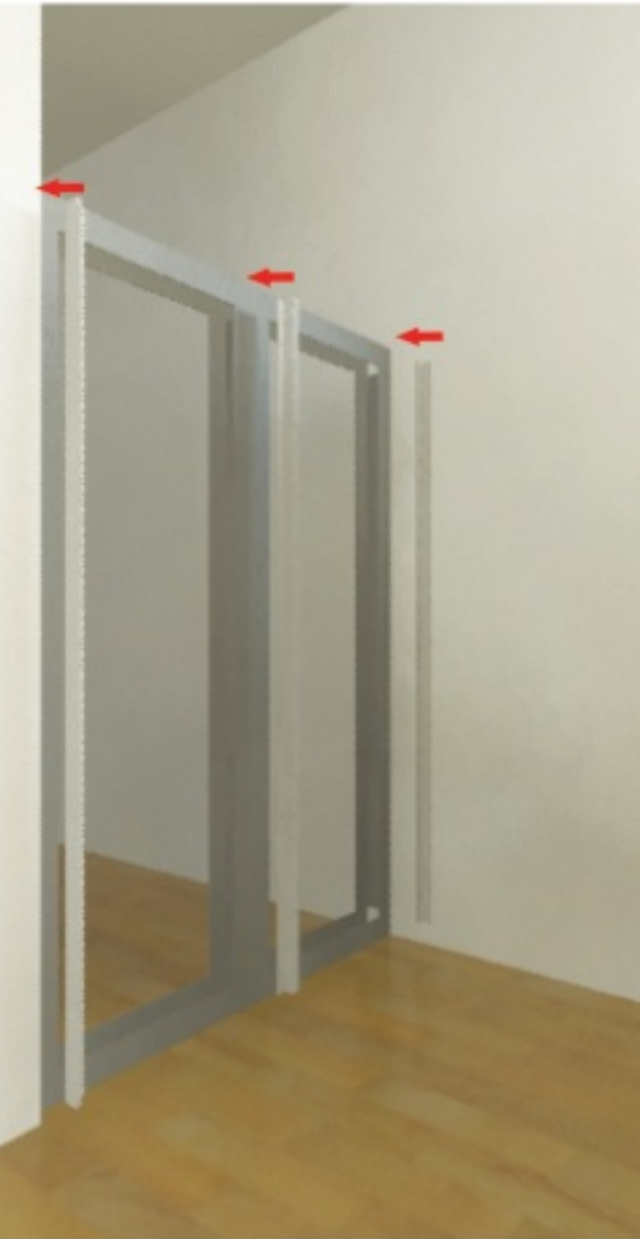
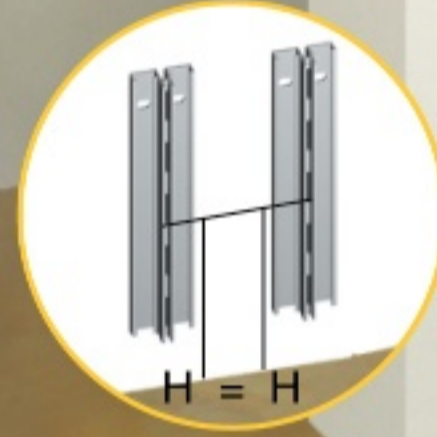


ASSEMBLY INSTRUCTIONS

1) Metal frame assembly: standard lamination sheets 50 x 40 mm (or higher), set by pairs (back to back) with the same distance as the one chosen for the slotted profiles.



2) While fixing slotted profiles to the frame, the pitch slots have to be perfectly aligned.



3) Wedging with a 5 mm thickness.

Shims are not essential but prevent the plasterboard from cracking risks while tightening the screws.



4) Plasterboard fixing to the metal frame.



5) During plastering and finishing operations, protect the slotted profiles with **PRZ.12MT.ARG** temporary gasket.

