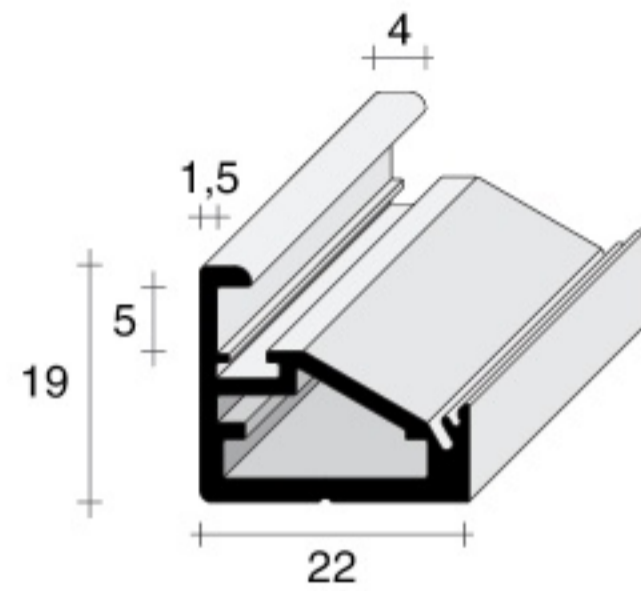


ADDITIONAL ITEMS: TL5 FRAME

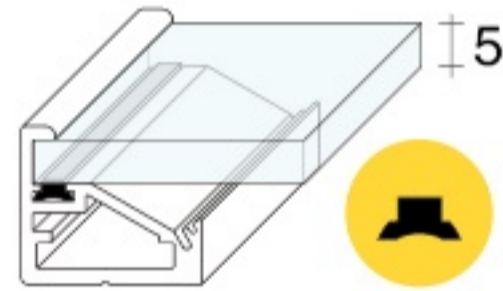


TL5

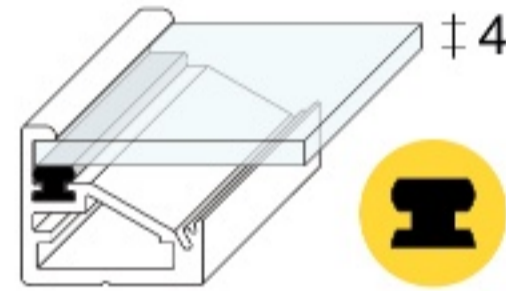
TL5.3012.NAT
TL5.3012.LUX

TL5 for 3-4-5 mm slabs. It fits flush with the NB profiles.

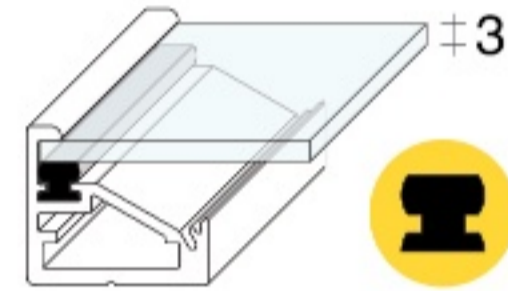
gaskets



GRN.TL55.ARG

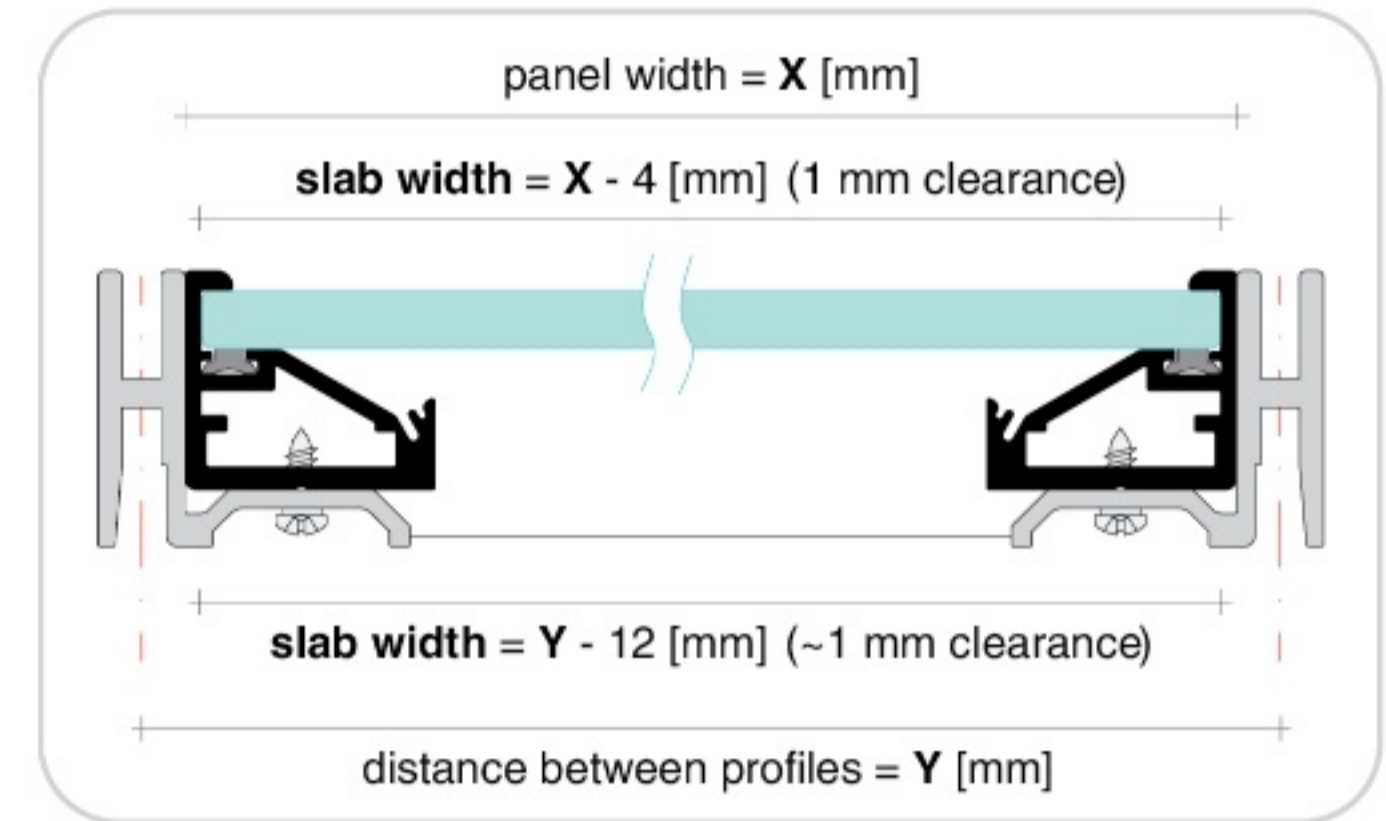


GRN.TL54.ARG



GRN.TL53.ARG

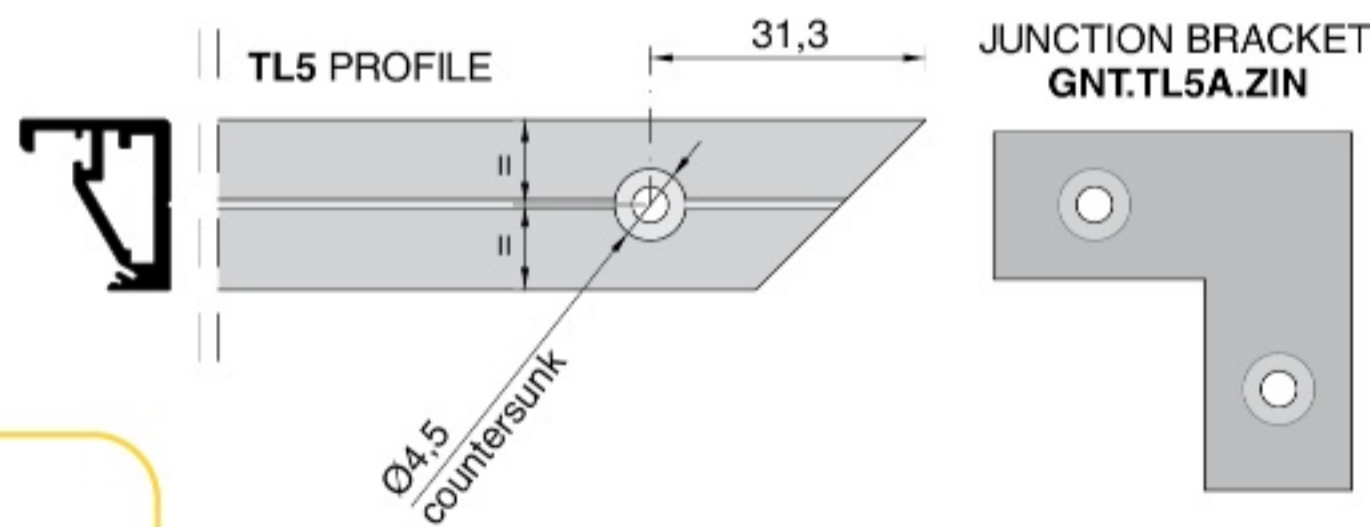
SLAB SIZING SCHEME



DRILLING SCHEME

assembly with GNT.TL5A.ZIN junction bracket and 45° cut.

1) Insert the gasket in the profiles cut at 45° and drilled. Assembly with GNT bracket.

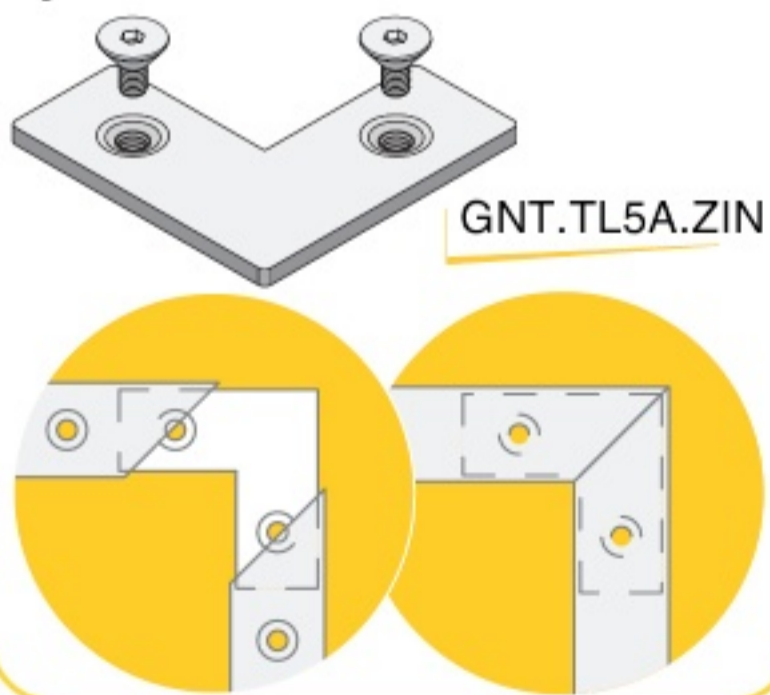


2) Drilling with self-threading screw guided by the small groove on the profile.

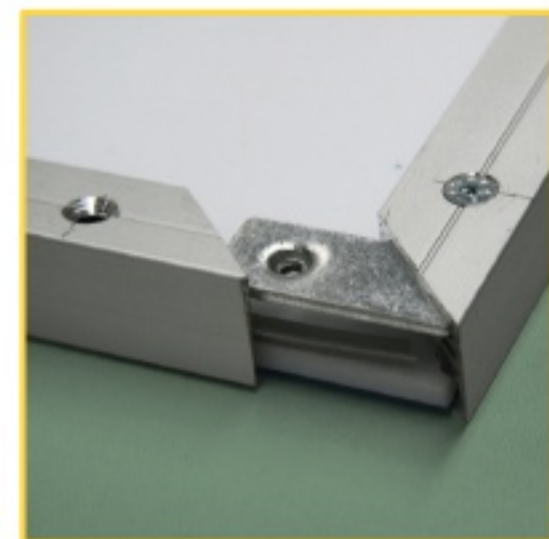


Toolings shown could be realized on request

junction bracket

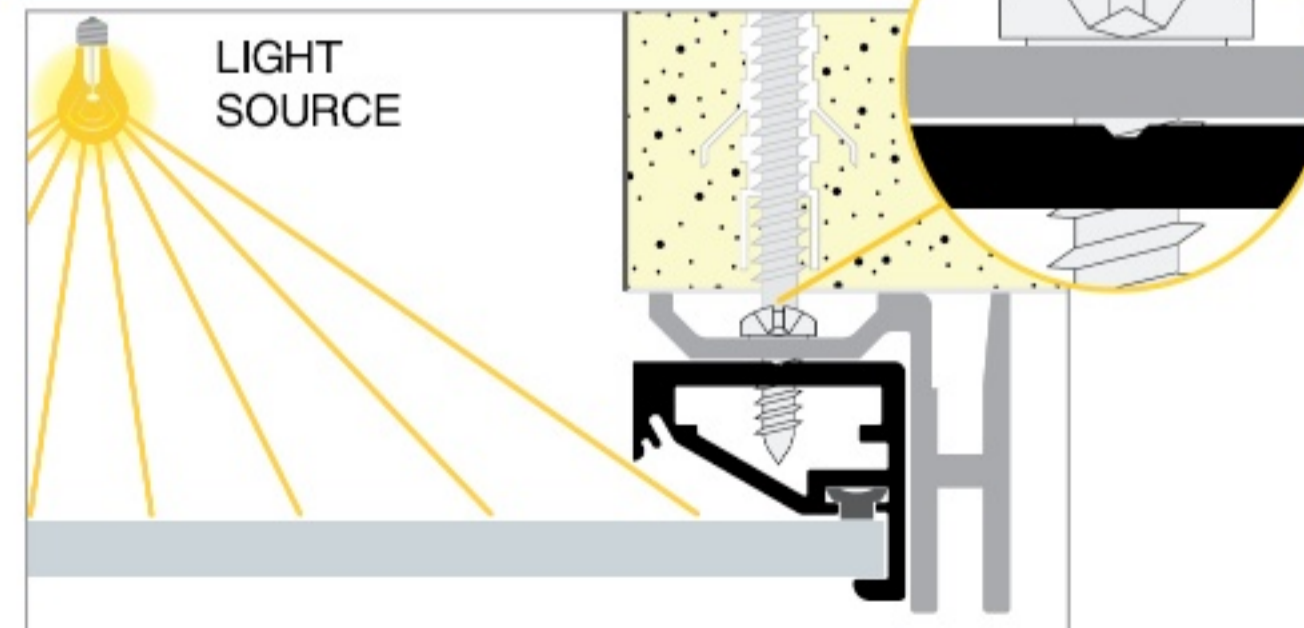


GNT.TL5A.ZIN



UNIFORM BACKLIGHTING

Shady areas reduced to the minimum

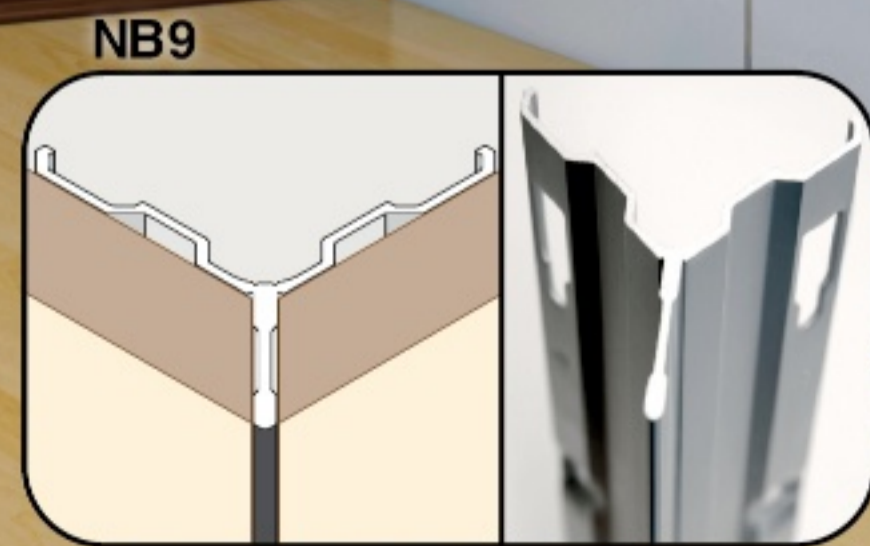
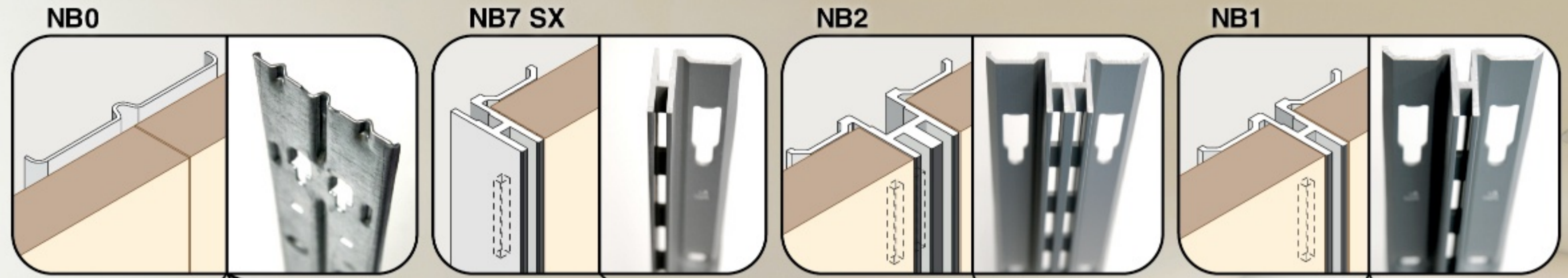
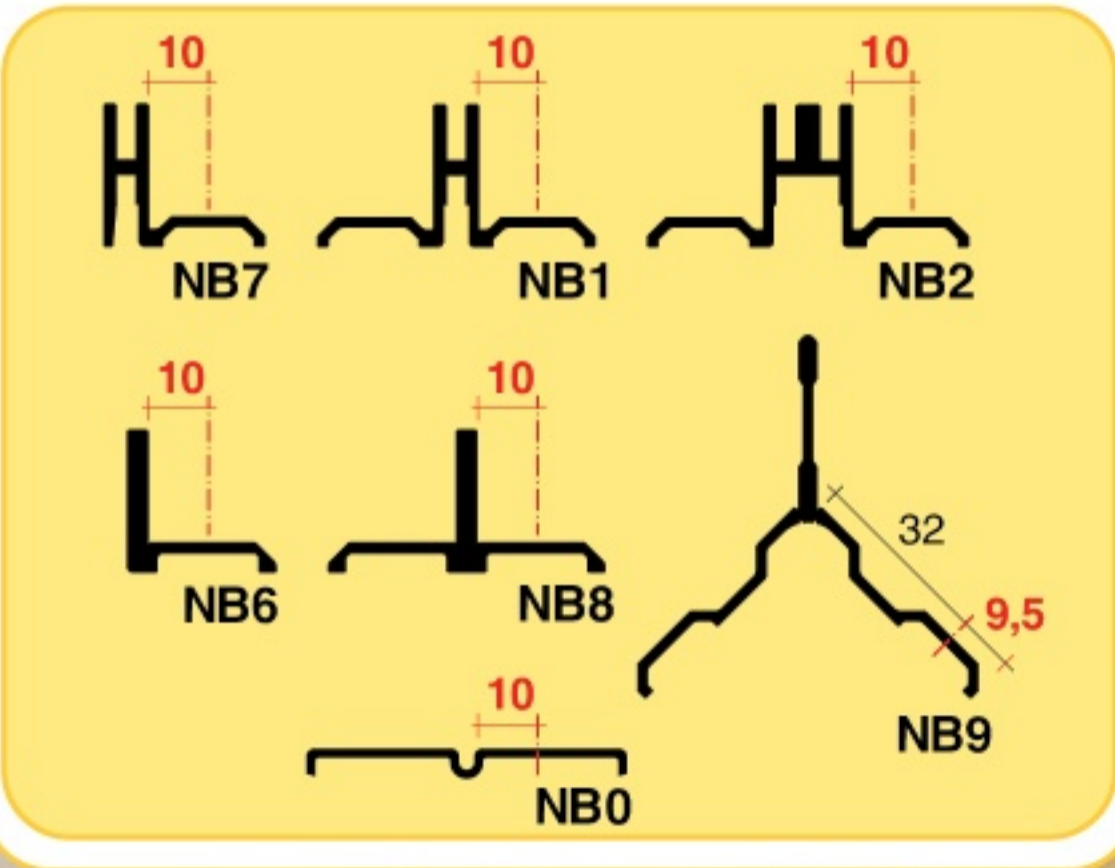
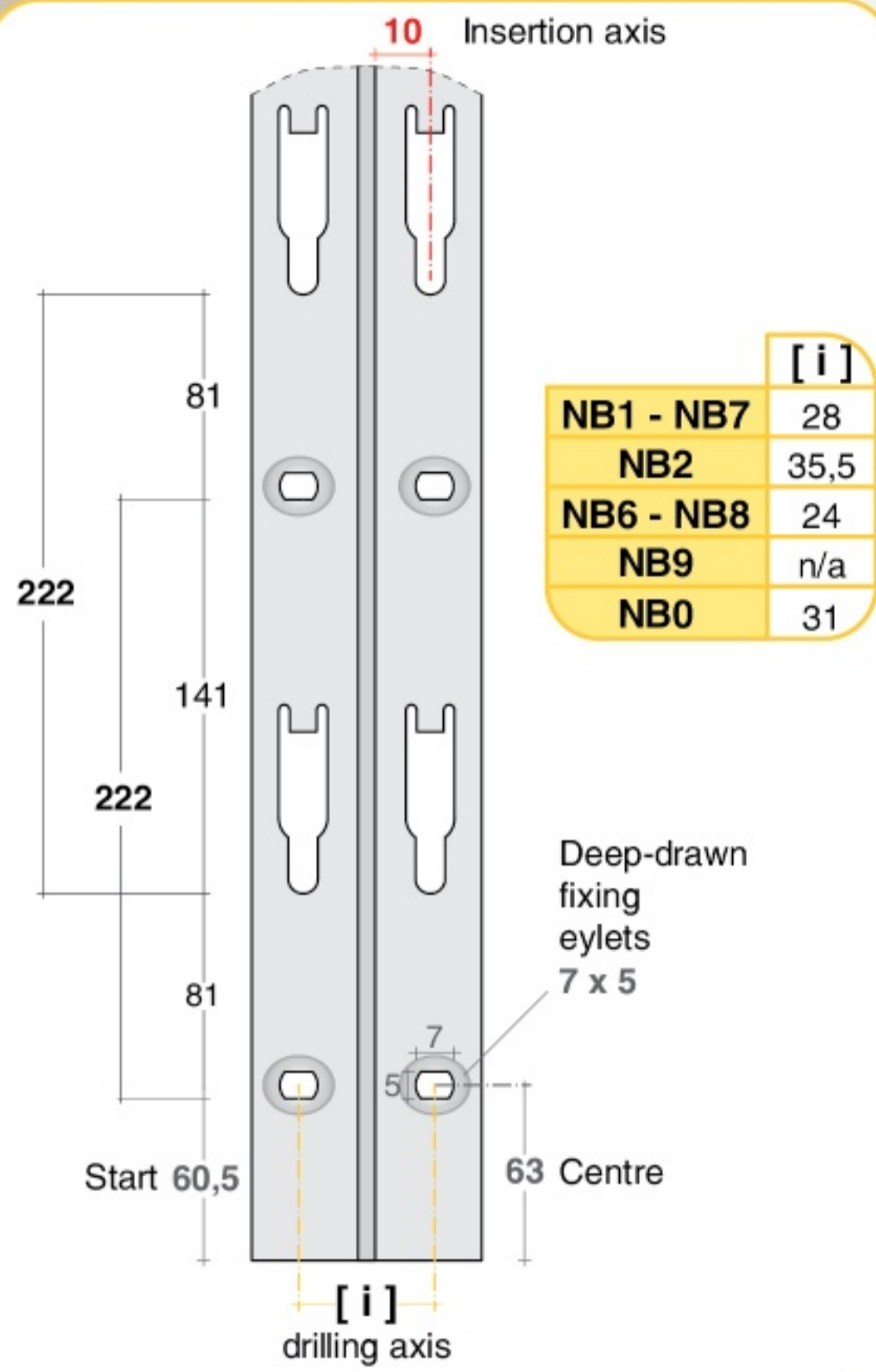


Ideal for backlit walls. Removable frame with fast sliding-anchorage assembly system

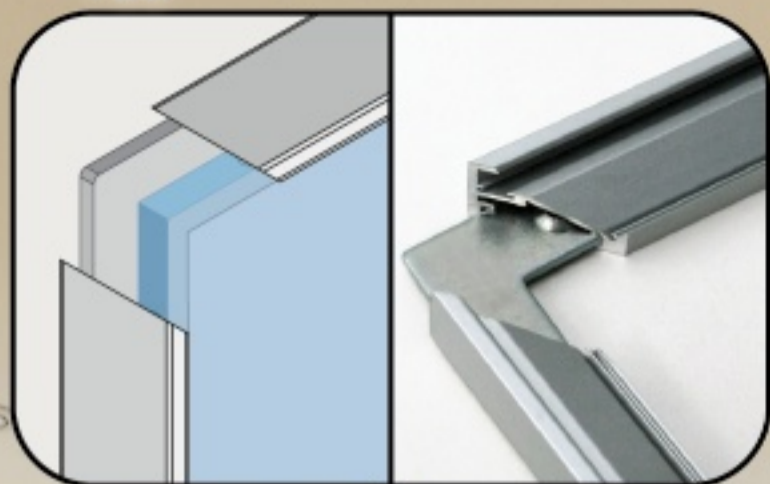


NB system

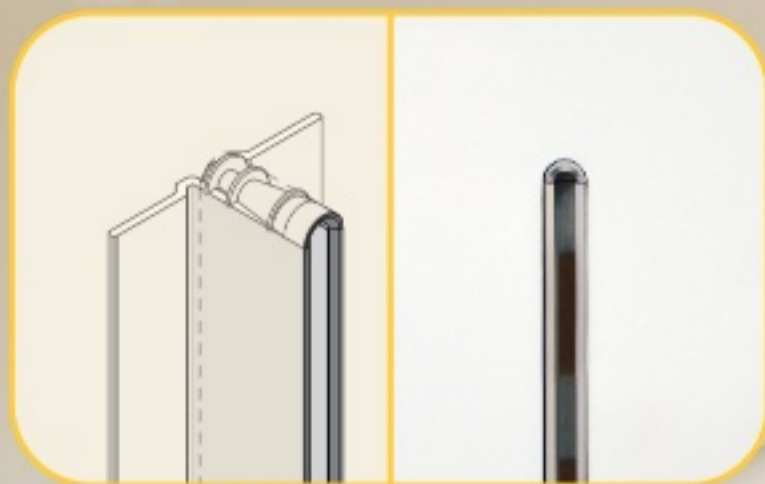
DIMENSIONS AND DRILLING PITCHES



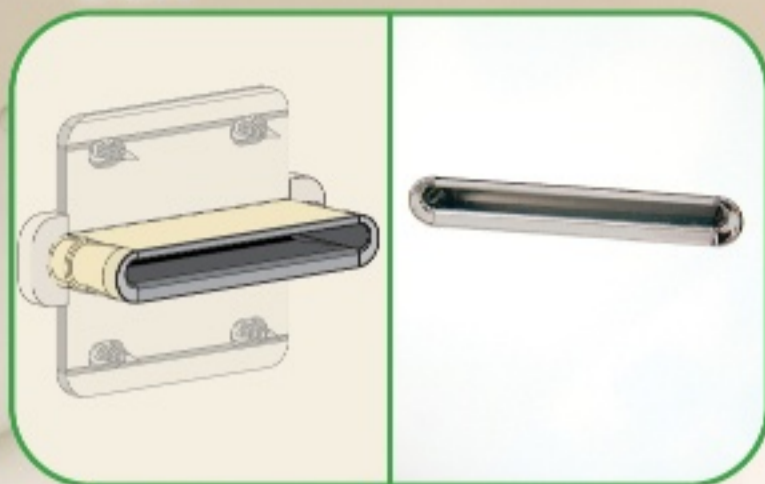
TL5



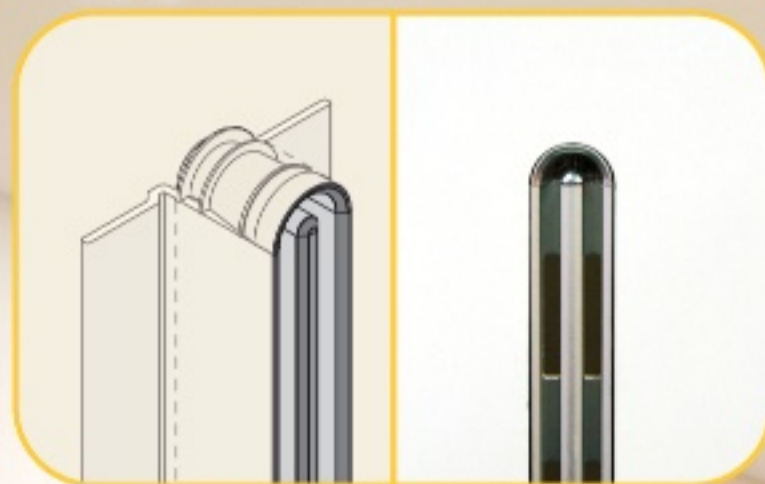
RP1



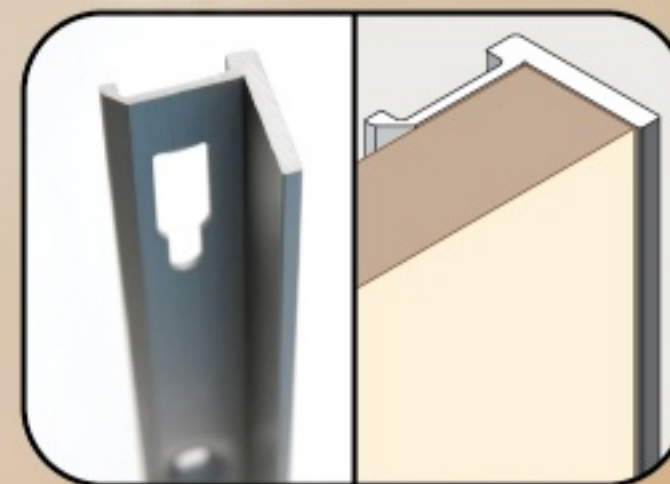
BCH



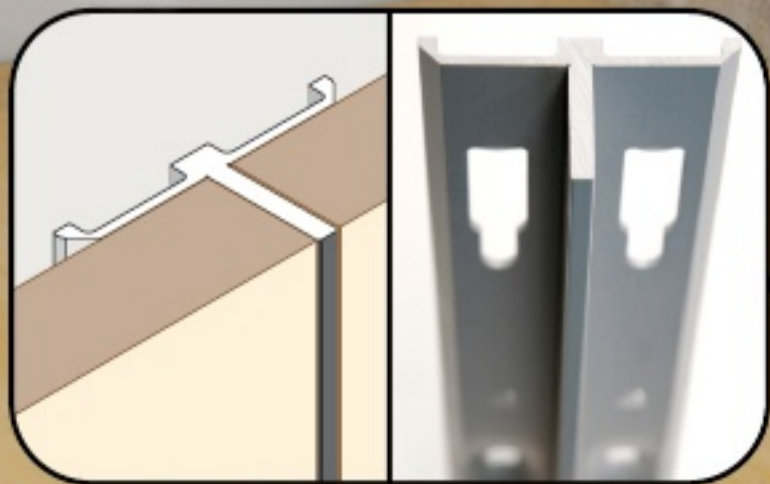
RP2



NB6 DX



NB8



FMH

