

# R30 - RECTANGULAR HANGRAIL 30 x 15 mm

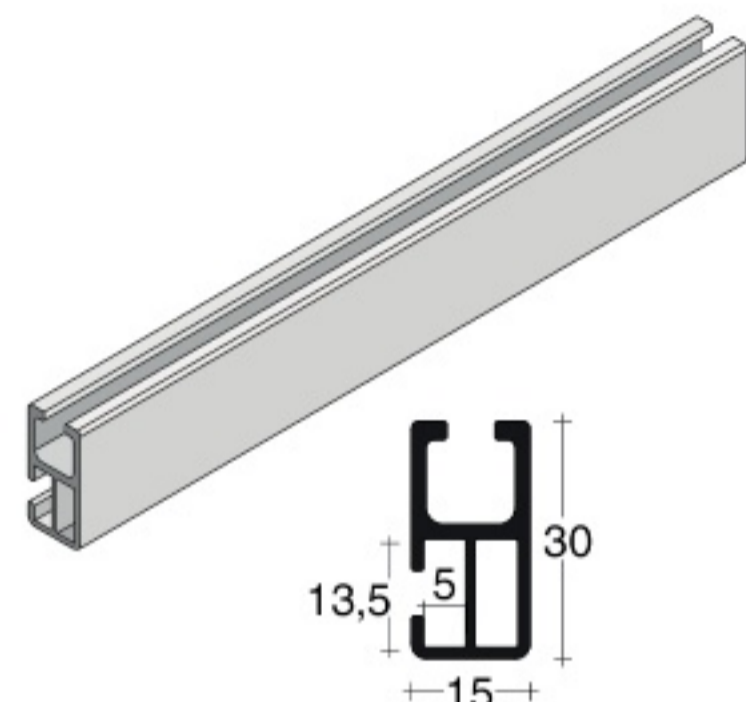


## HANGRAIL

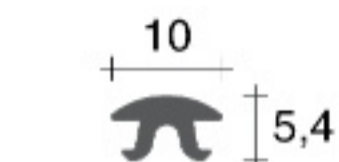
### R30

Al NAT  
\* ANE  
SLX

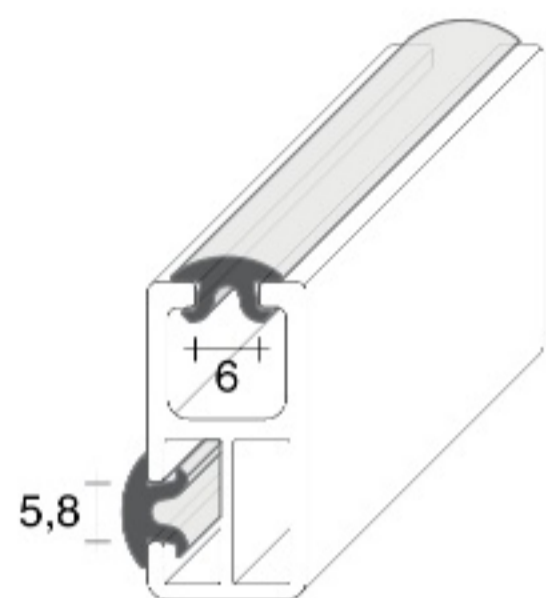
R30.3000.  
RECTANGULAR  
aluminium  
36 x 18  
length: 3000 mm



## GASKET



G30.12MT.TRA

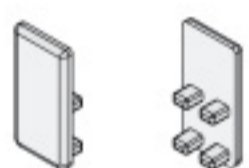


Mat gasket with **double application** on rectangular hangrail R30:

UPPER:  
for **clothes hanger**;  
BACK:  
for **light diffuser**.

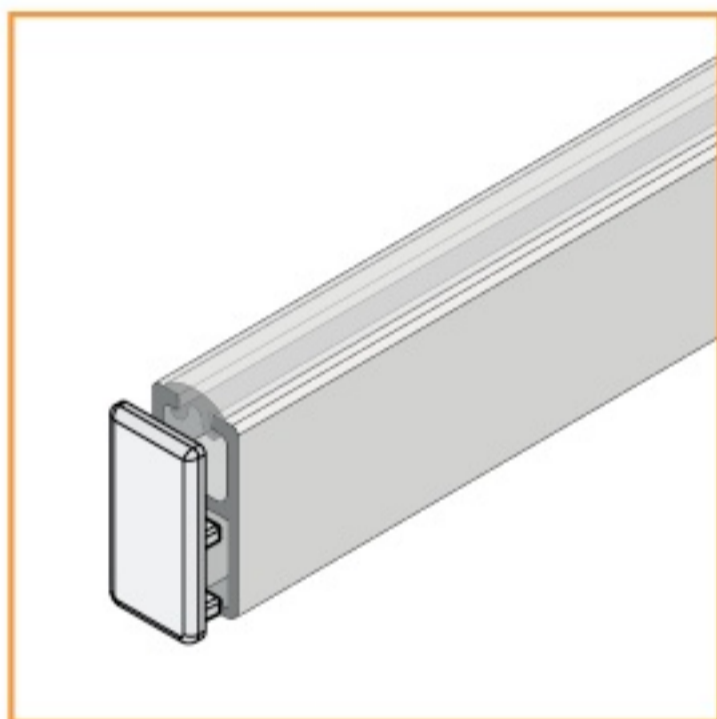


## FINISHING END CAP

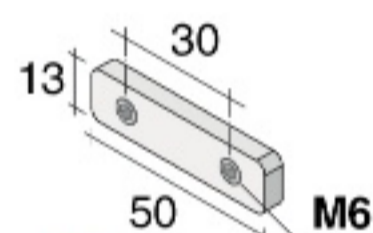


### R30.TMFI

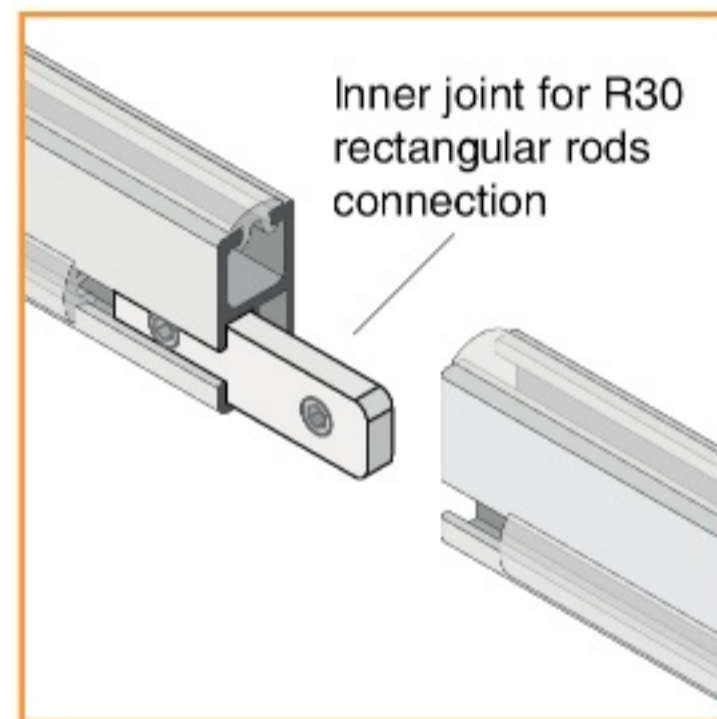
Fe  
R30.TMFI.NER\*  
R30.TMFI.CHL  
R30.TMFI.NKS



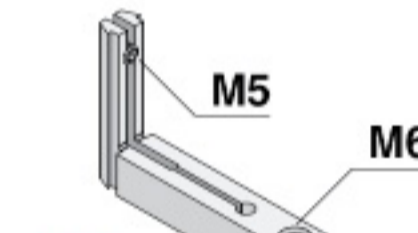
## INNER JOINT



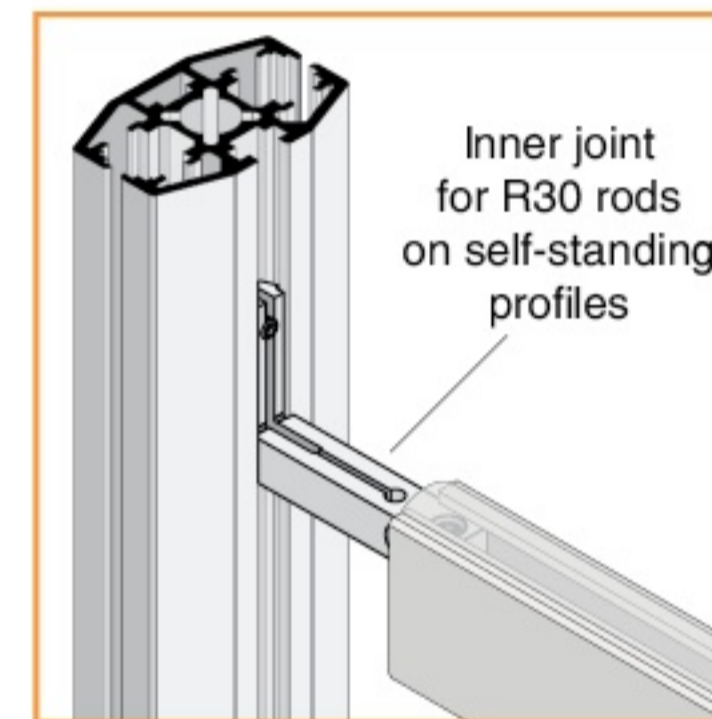
Fe  
GNT.R302.ZIN



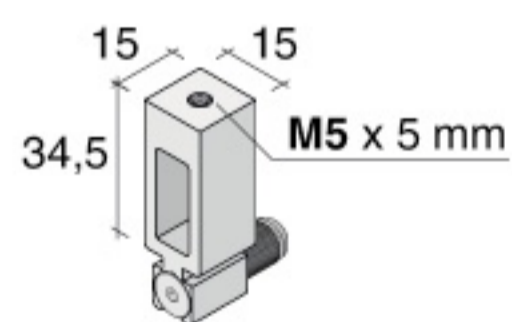
## INNER JOINT



Fe  
CAV.10M5.ZIN

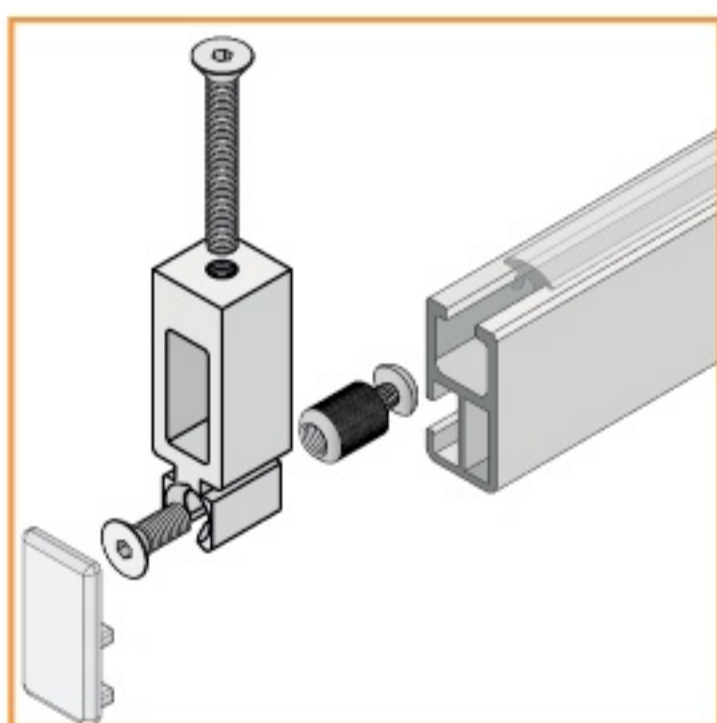


## HANGRAIL SUPPORT



### R30.INCA

Al  
R30.INCA.NAT  
R30.INCA.ANE\*  
R30.INCA.SLX



## SCREWS

Countersunk-head screws



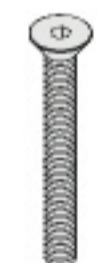
**M5 x 25**  
For shelves  
20 mm thick  
VTS.M525.ZIN



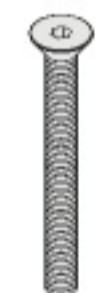
**M5 x 30**  
For shelves  
25 mm thick  
VTS.M530.ZIN



**M5 x 35**  
For shelves  
30 mm thick  
VTS.M535.ZIN



**M5 x 40**  
For shelves  
35 mm thick  
VTS.M540.ZIN

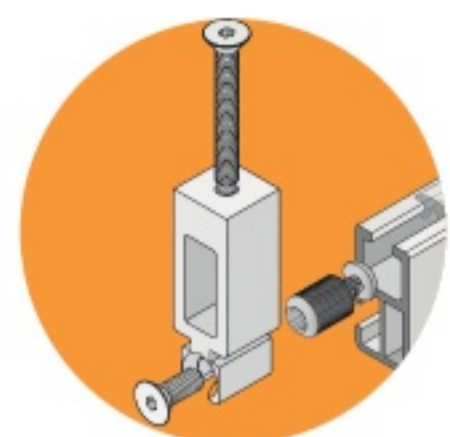


**M5 x 45**  
For shelves  
40 mm thick  
VTS.M545.ZIN



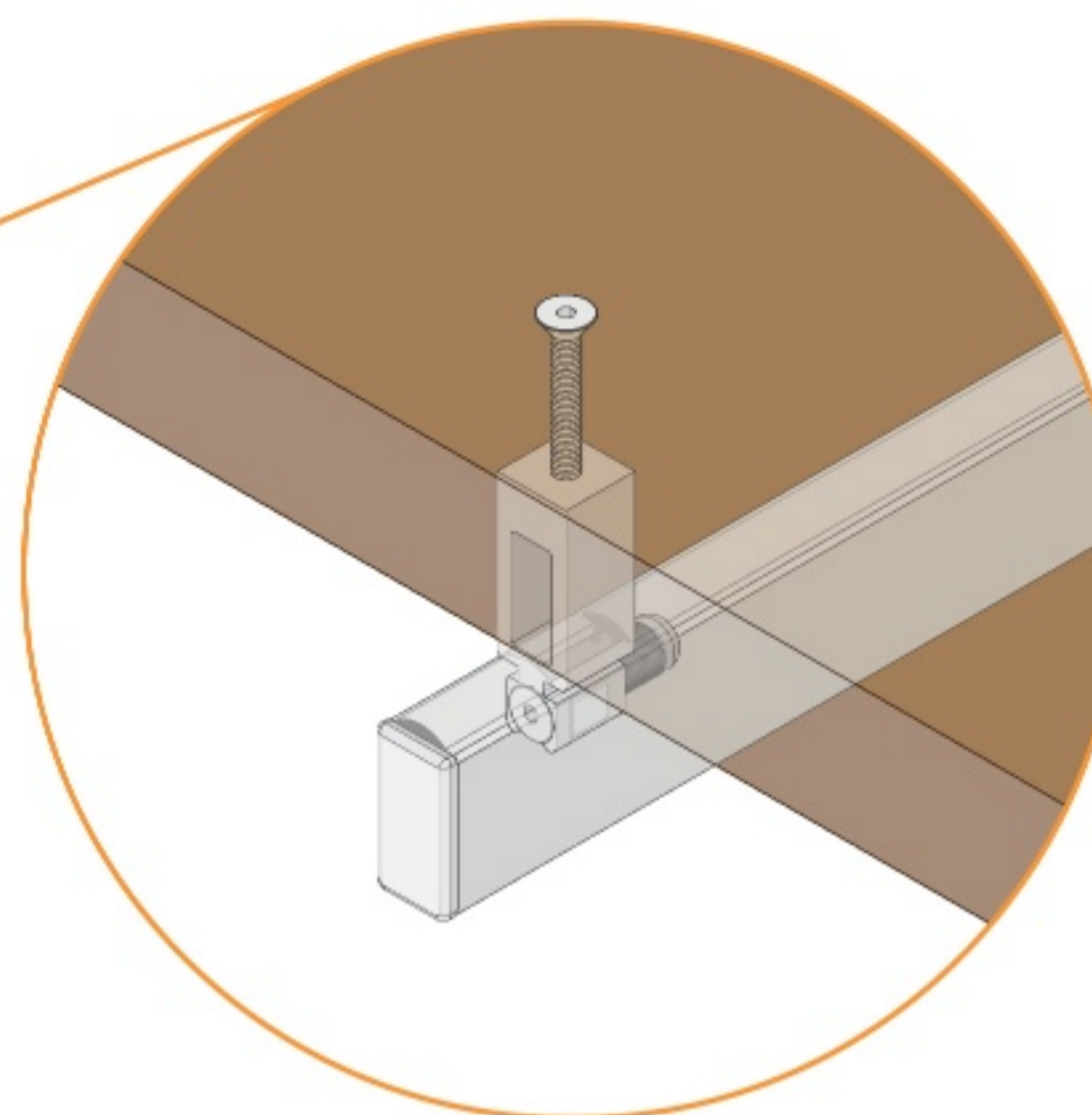
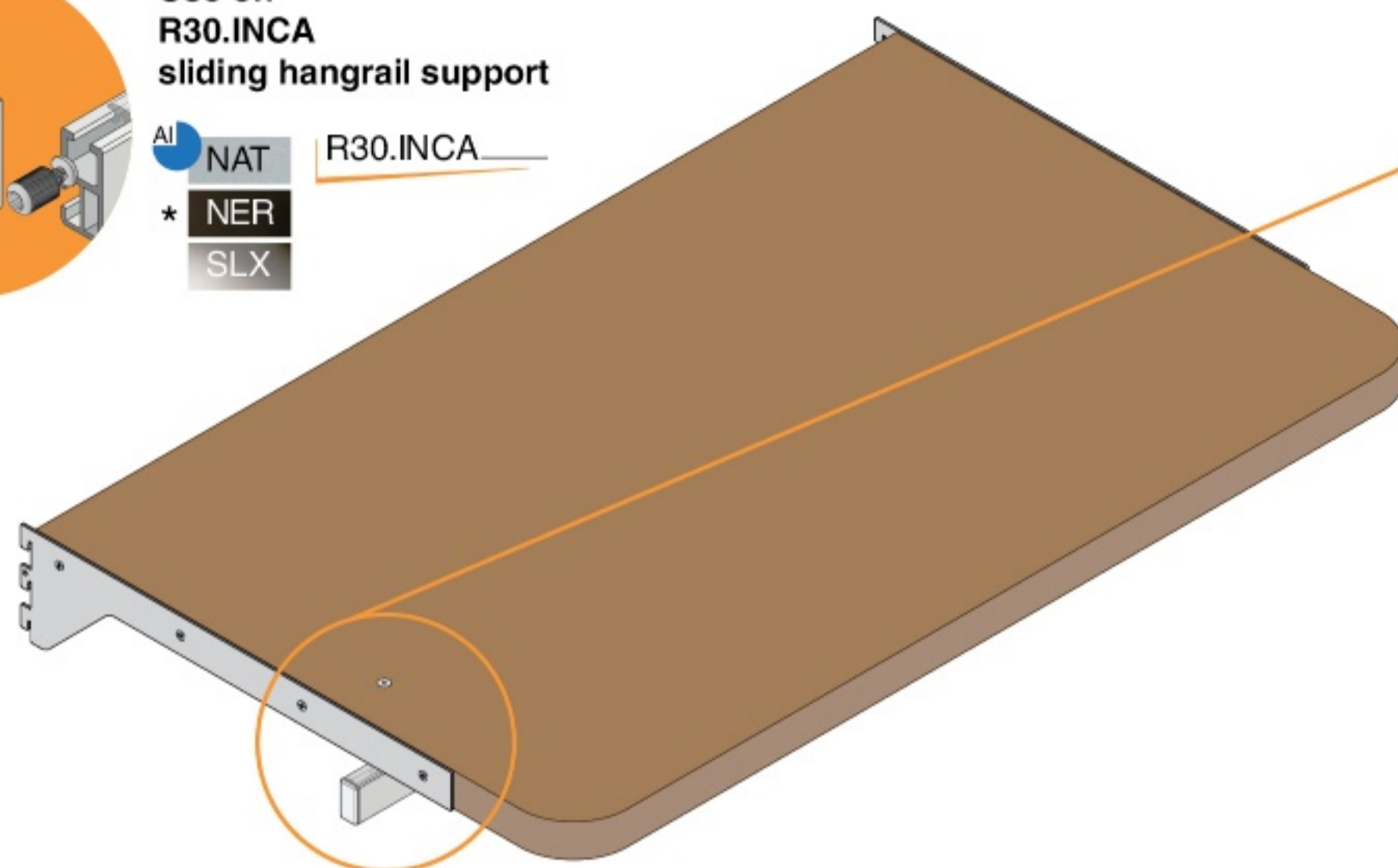


# R30 - RECTANGULAR HANGRAIL 30 x 15 mm



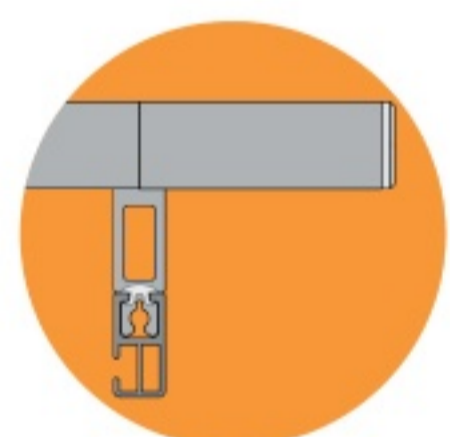
Use of:  
R30.INCA  
sliding hangrail support

Al NAT R30.INCA  
\* NER  
SLX

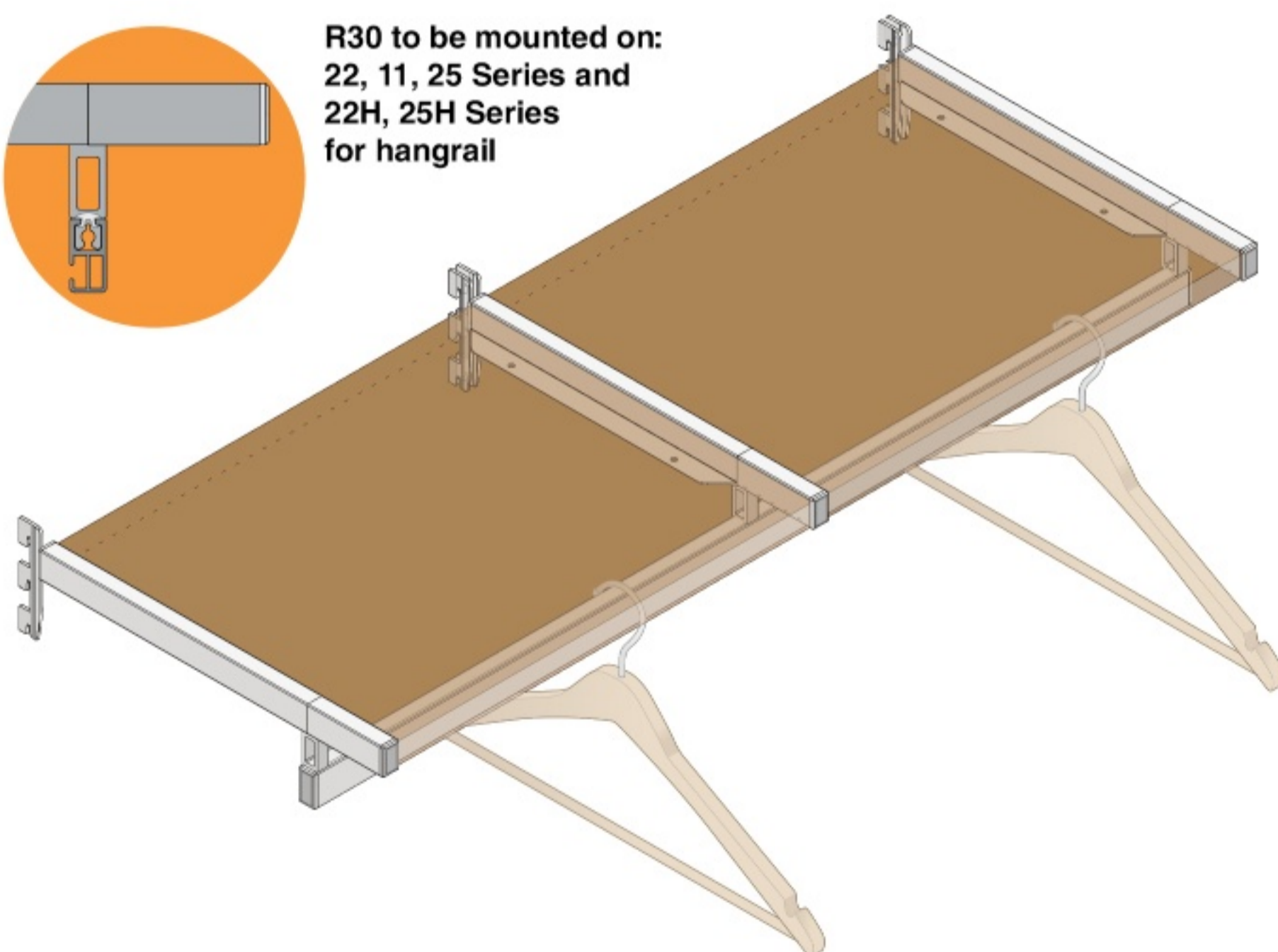


## SUGGESTED SUPPORTS

	CTL.DX45. CTL.SX45.
	CTL.DX40. CTL.SX40.
	CTL.DX35. CTL.SX35.
	CTA.0300. CTA.0350. CTA.0400.
	NHS.0010. NHS.0015.



R30 to be mounted on:  
22, 11, 25 Series and  
22H, 25H Series  
for hangrail



## COMPATIBLE SUPPORTS

 400 330	<b>22 Series</b>				
	22D.S33A.	22D.C33A.	22D.D33A.	22L.S33A.	22L.D33A.
	22D.S40A.	22D.C40A.	22D.D40A.	22L.S40A.	22L.D40A.
 260 330	<b>11 Series</b>				
	11D.S33A.	11D.C33A.	11D.D33A.	11L.S33A.	11L.D33A.
	11D.S40A.	11D.C40A.	11D.D40A.	11L.S40A.	11L.D40A.
	<b>25 Series</b>				
	25D.S33A.				
 330 260	<b>22H Series</b>				
	22H.S33A.	22H.C33A.	22H.D33A.	22H.S33A.	22H.D33A.
	<b>25H Series</b>				
	25H.S33A.				