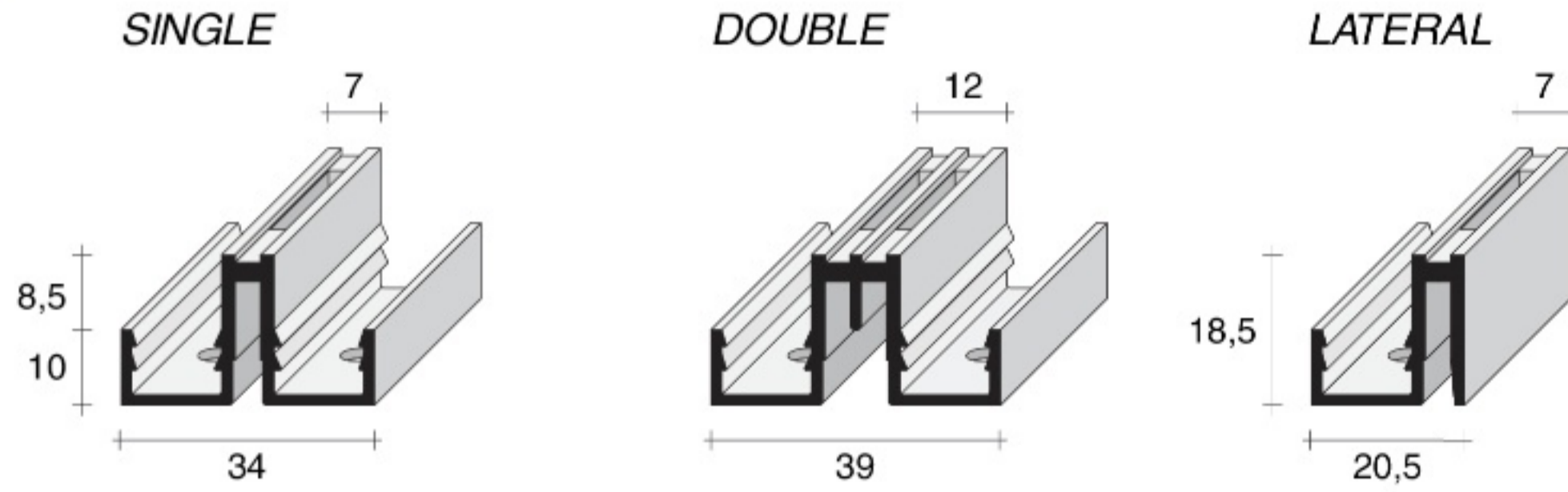


# Profiles for 8 and 19 mm panel thickness

## ALUMINIUM SLOTTED PROFILES FOR REMOVABLE PANELLING



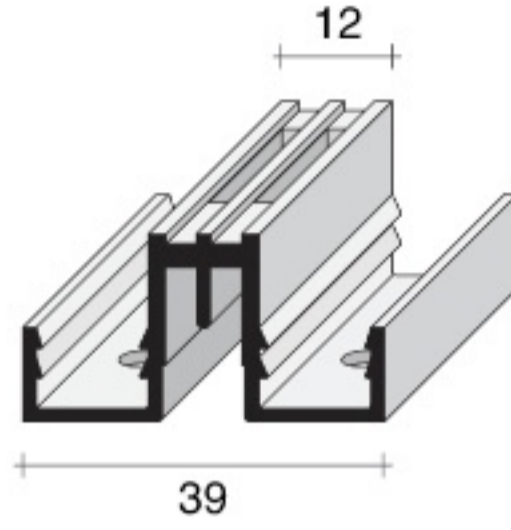
**CR1**

CR1.2013.NAT

CR1.2531.NAT  
CR1.2531.ORO\*

CR1.3012.ANE  
CR1.3012.LUX\*  
CR1.3012.NAT  
CR1.3012.ORO

**DOUBLE**



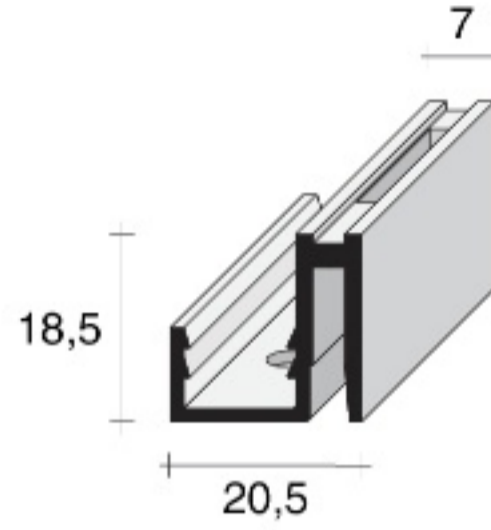
**CR2**

CR2.2013.NAT

CR2.2531.NAT  
CR2.2531.ORO\*

CR2.3012.ANE  
CR2.3012.LUX\*  
CR2.3012.NAT  
CR2.3012.ORO

**LATERAL**



**CR7**

CR7.2013.NAT

CR7.2531.NAT  
CR7.2531.ORO\*

CR7.3012.ANE  
CR7.3012.LUX\*  
CR7.3012.NAT  
CR7.3012.ORO

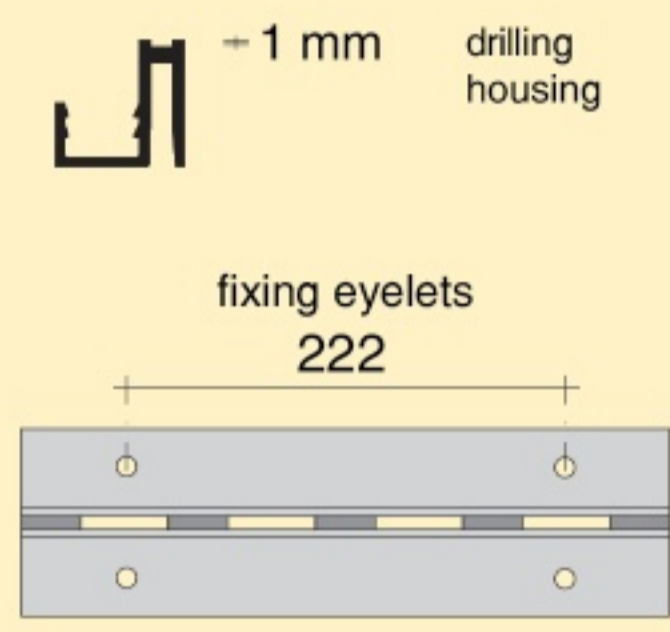
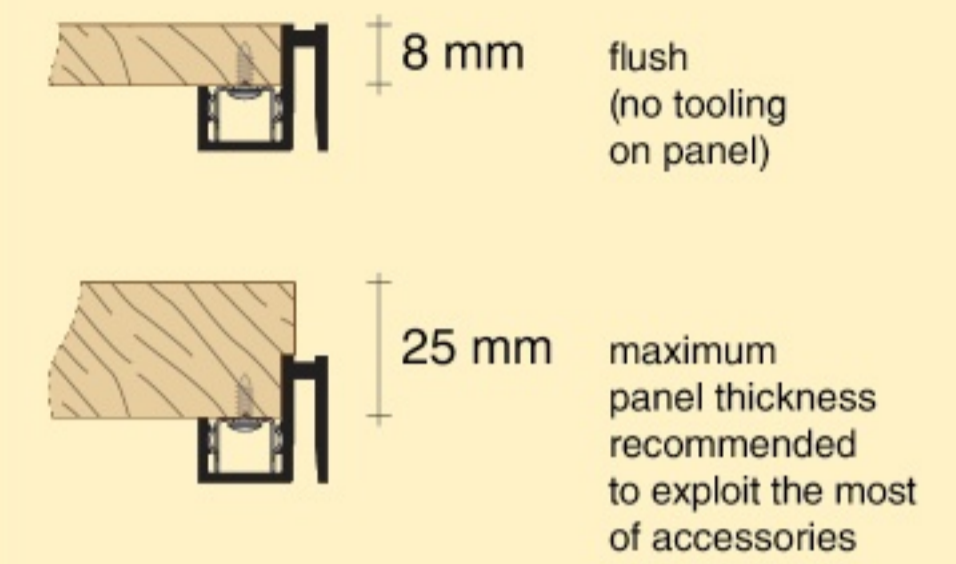
**Screws for panels 8 mm and < 16 mm**  
CRA.V100.ZIN  
CRA.VS16.ZIN  
pack 100 pcs

**Clip for assembly**  
CRA.CLIP.GRE  
Tearing resistance: about 18 kg

**Templates**

For all CR Series profiles (CR0 spaced junction)  
CRA.DIM1.NAT

Only for flush junction on CR0  
CRA.DIM2.NAT



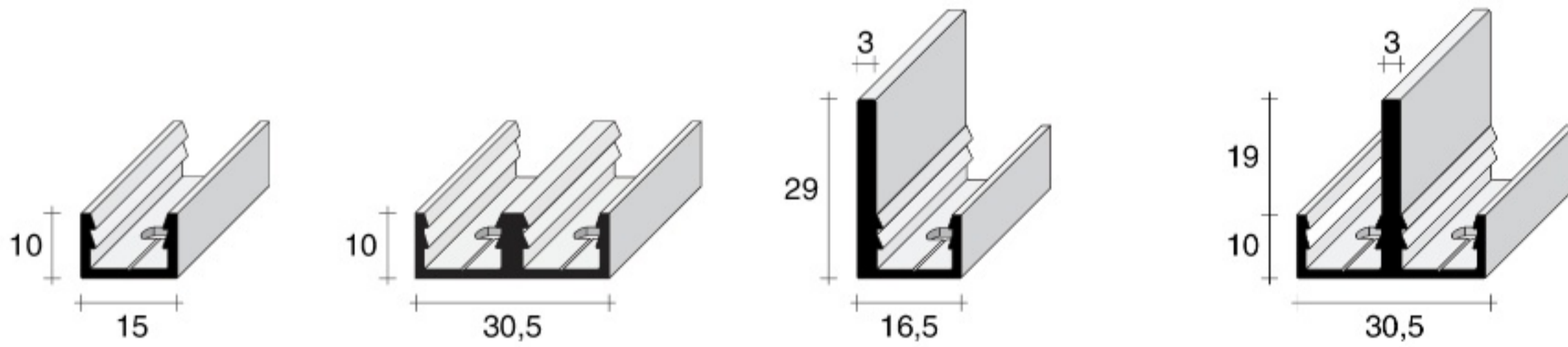
Lengths in mm

2013	2531	3012
------	------	------

AI	NAT	SATINIZED SILVER
	ANE	BLACK
	LUX	BRILLIANT
	ORO	SATINIZED GOLD
	AGR	RAW ALUMINIUM

## ALUMINIUM PROFILES WITH SLOTS FOR REMOVABLE PANELLING

TERMINAL      CENTRAL      LATERAL FINISHING      CENTRAL FINISHING



**CRZ**

CRZ.3012.AGR  
CRZ.3012.ANE\*  
CRZ.3012.LUX\*  
CRZ.3012.NAT

**CR0**

CR0.3012.AGR



**CR6**

CR6.3012.ANE\*  
CR6.3012.LUX\*  
CR6.3012.NAT

**CR8**

CR8.3012.ANE\*  
CR8.3012.LUX\*  
CR8.3012.NAT

**Panel hooks**  
FPN.01CN.TRA  
FPN.01DX.TRA  
FPN.01SX.TRA

CRH HORIZONTAL PROFILE

\* special items