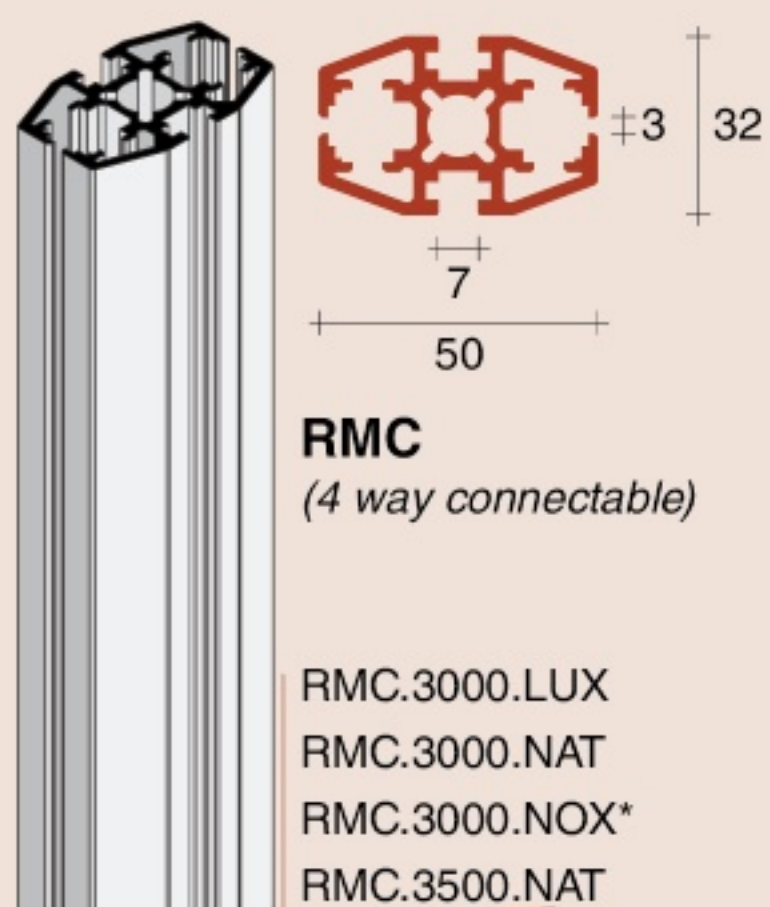
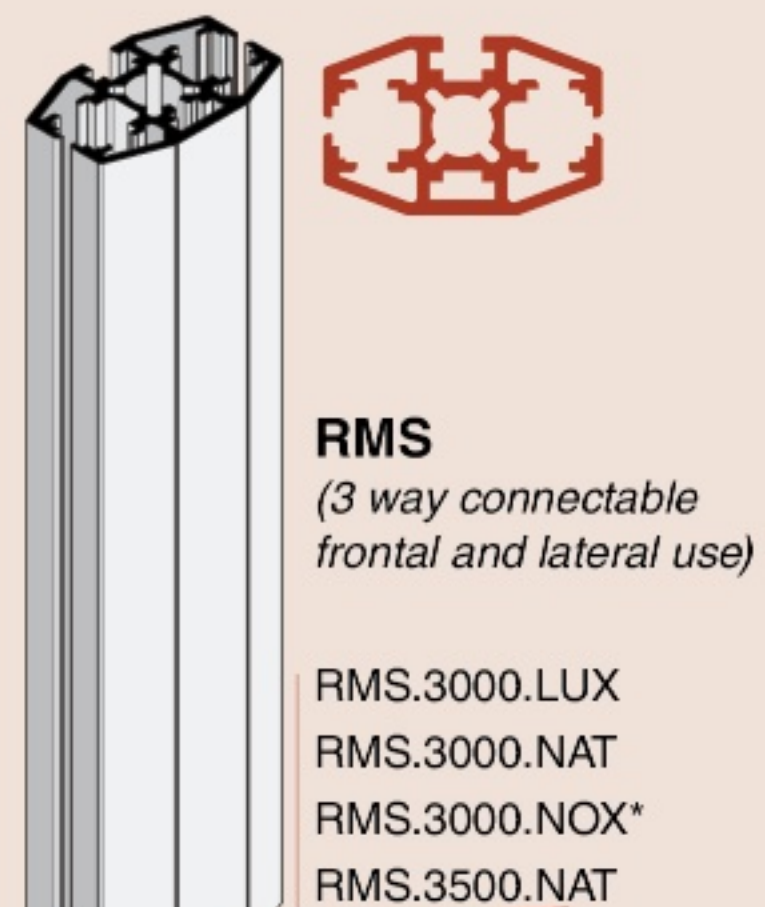


# Self standing system components

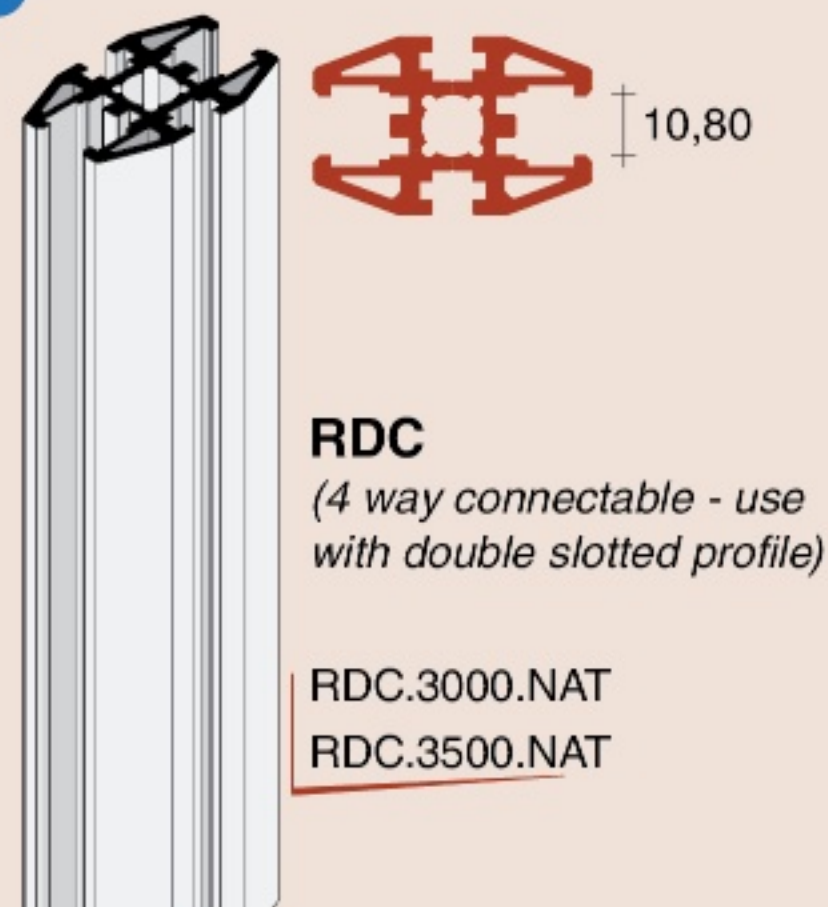
## RMC, RMS and RDC SELF STANDING UPRIGHTS



Compatible with TCN e HLE

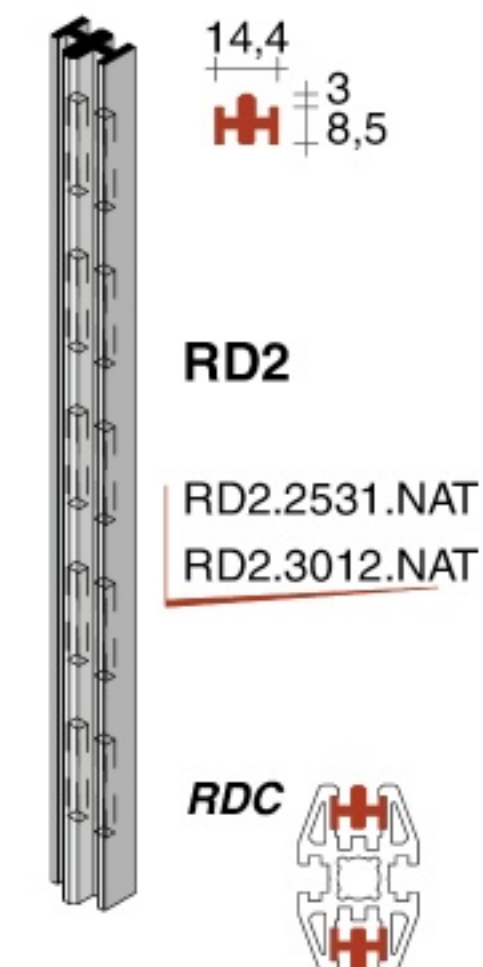
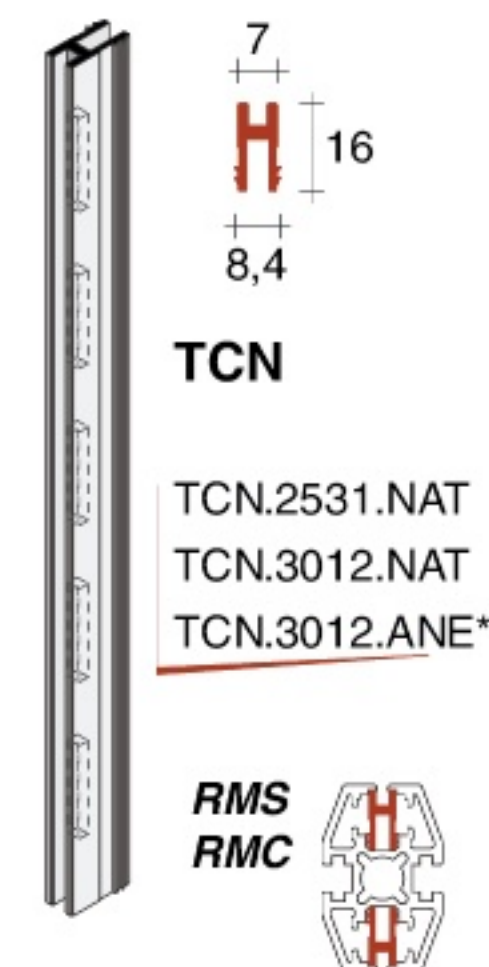


Compatible with TCN e HLE

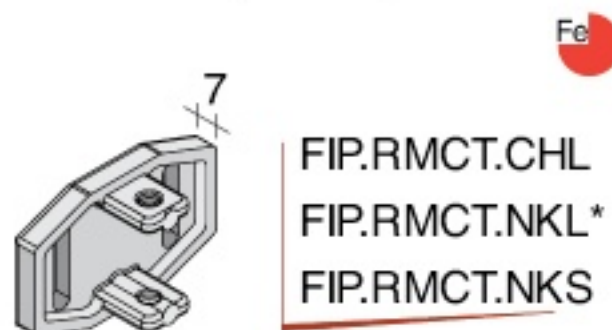


Compatible with RD2 e HLE

## INSERTION SLOTTED PROFILES



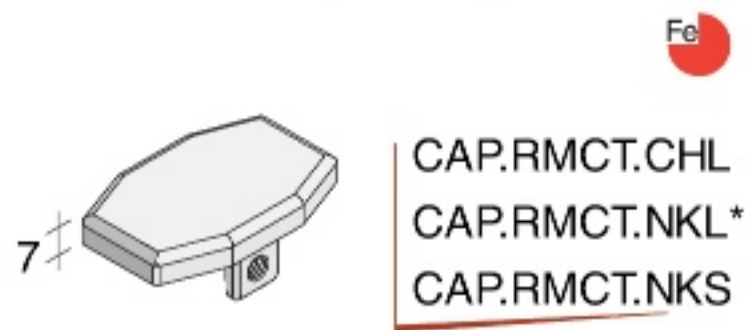
### WALL FIXING PLATE for RMC, RMS, RDC



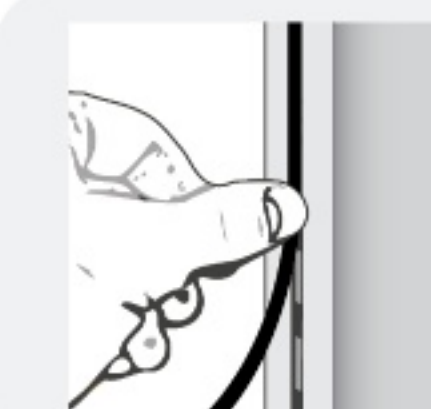
### PRE-DRILLED BASE for RMC, RMS, RDC



### FINISHING END CAP for RMC, RMS, RDC

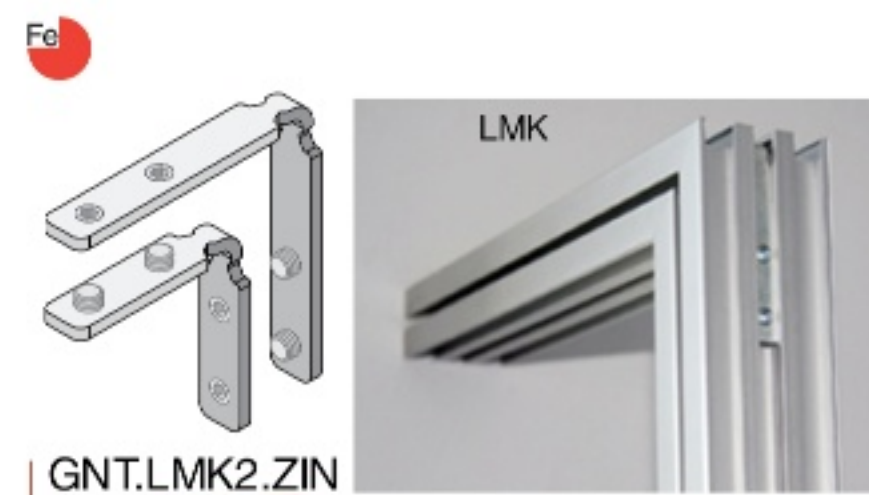
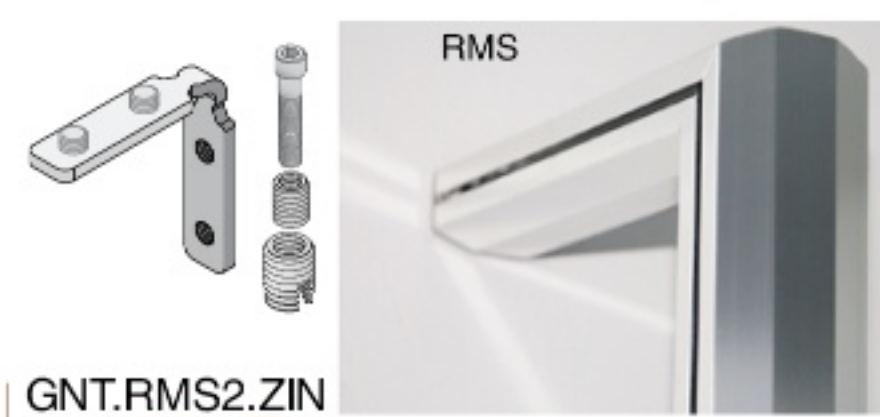


### GASKETS for TCN and RD2



GRN.10MT.ARG  
GRN.10MT.NER

## INNER JOINTS for 45° CUT CONNECTIONS



## INNER JOINT

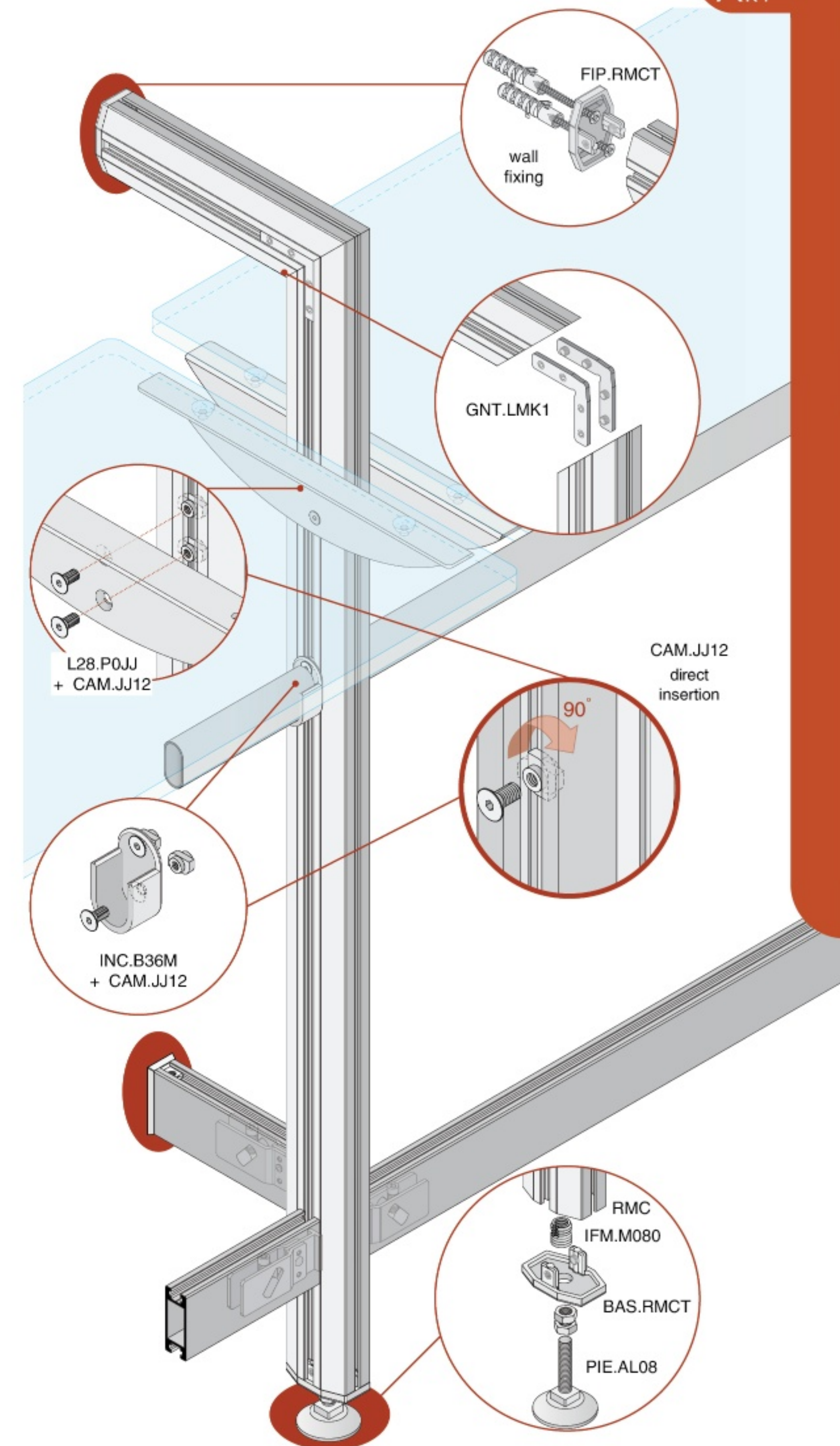
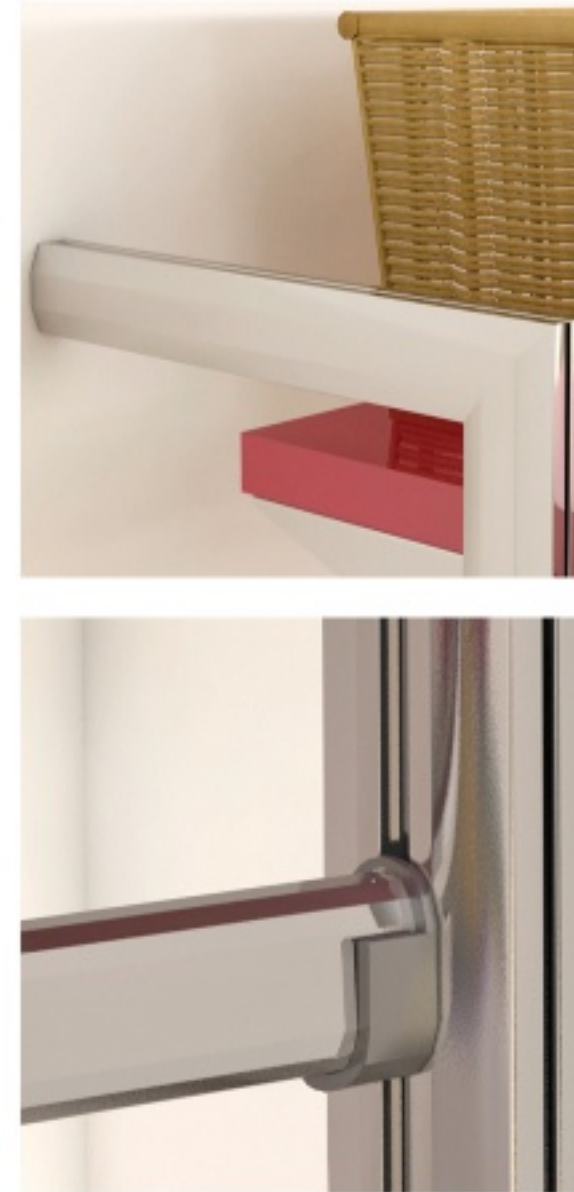






# FLOOR - WALL expansion COMPOSITIONS with CENTRAL accessories on CAM

'ALPHA WALL45' - realized with RMC and RMS







# FLOOR - WALL expansion COMPOSITIONS with CENTRAL accessories on SLOTTED PROFILE

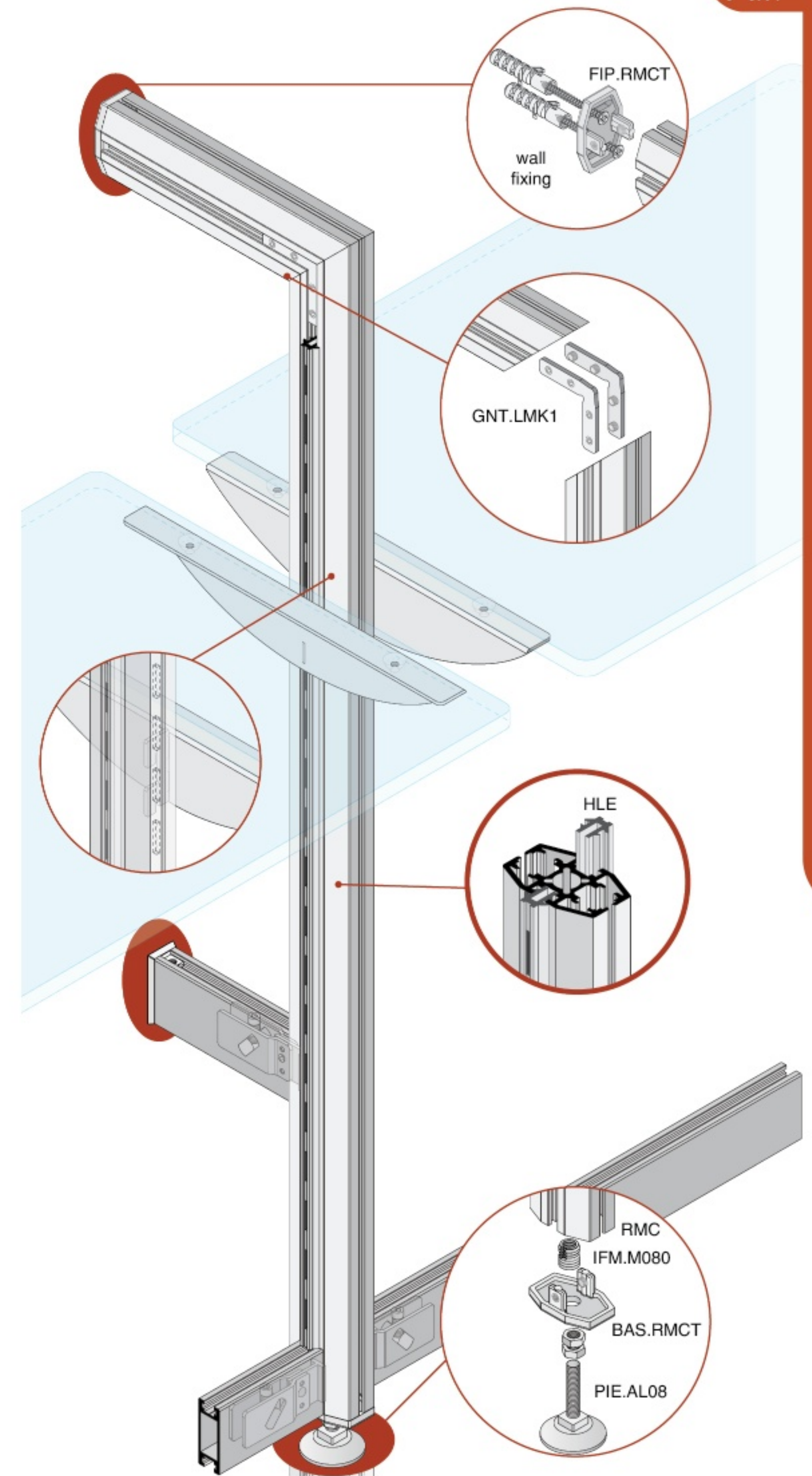
'ALPHA HLE WALL45' - realized with RMC and RMS



HLE - TR5 - PR5.AT30



BSP.AS36 - PIE.AL08







# FLOOR - WALL expansion COMPOSITIONS with CENTRAL accessories on SLOTTED PROFILE

'BRAVO WALL45' - realized with RMS



'BRAVO WALL' - realized with RMS

