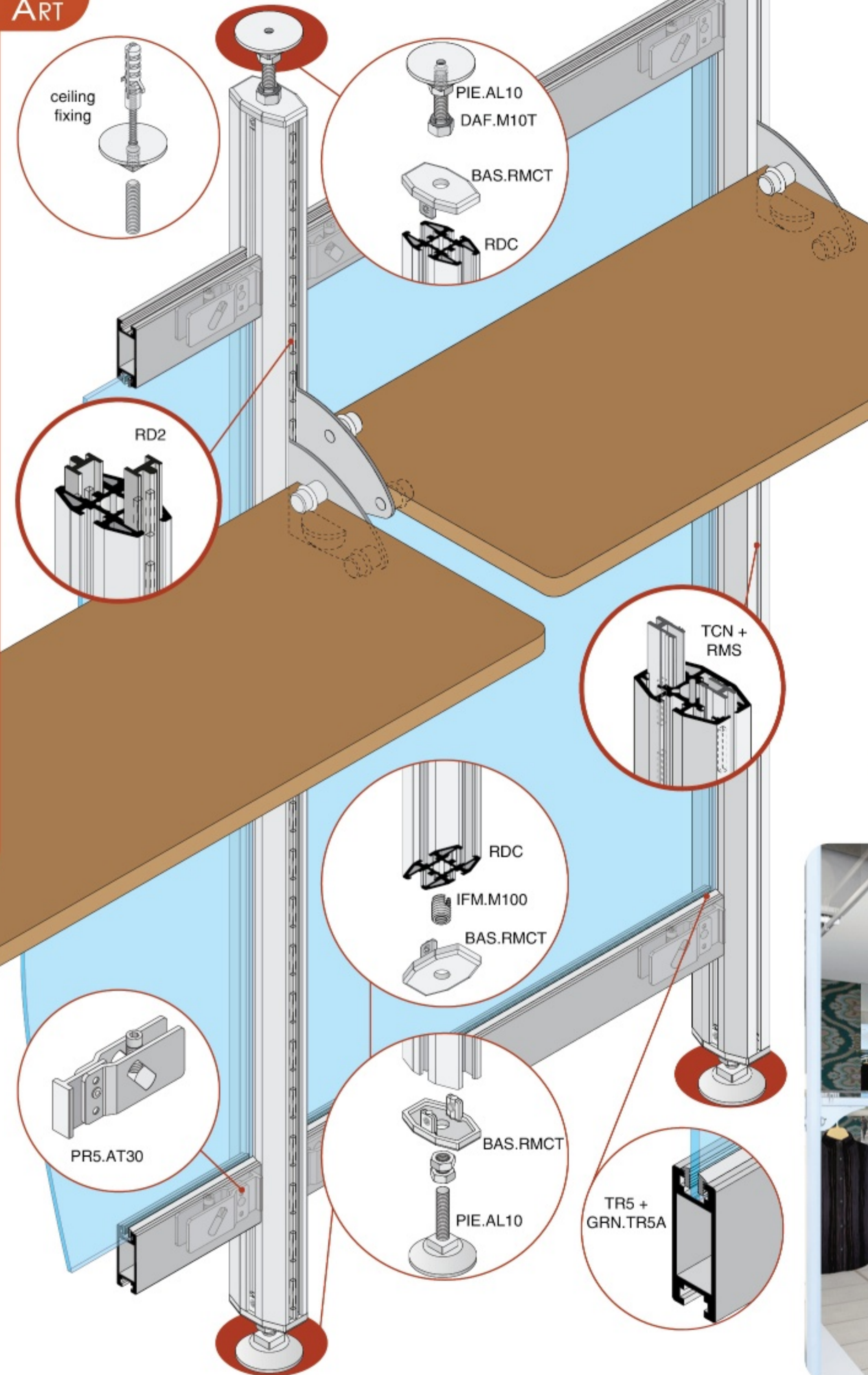




FLOOR - CEILING expansion COMPOSITIONS, DIVIDING WALLS with accessories on SLOTTED PROFILE



'ALPHA PARTITION' - realized with RMC, RMS and/or RDC



WMP.B360 - INU.LT36 - CAV.S1



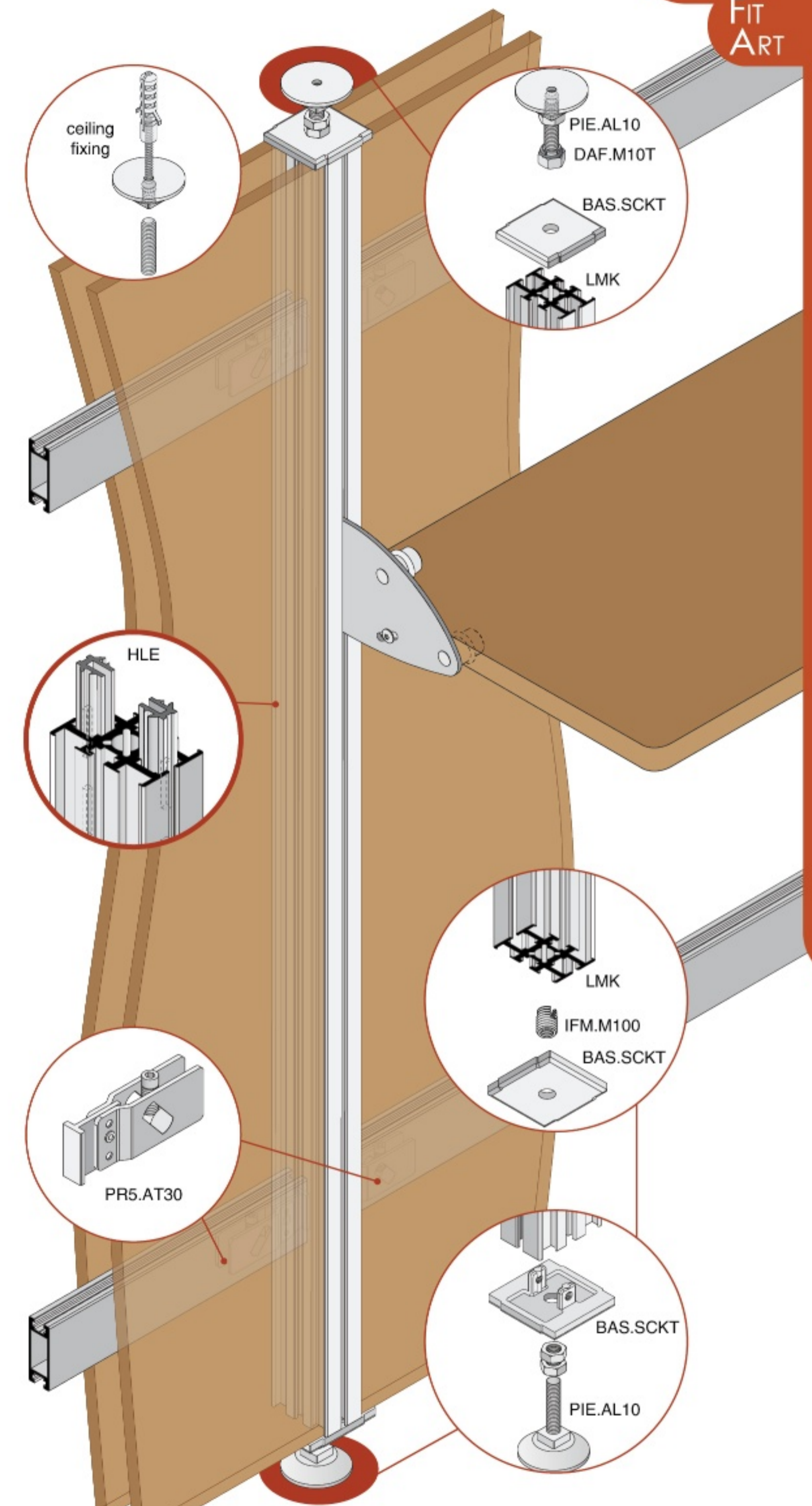
DWA.DX08/SX08





FLOOR - CEILING expansion COMPOSITIONS, DIVIDING WALLS with accessories on SLOTTED PROFILE

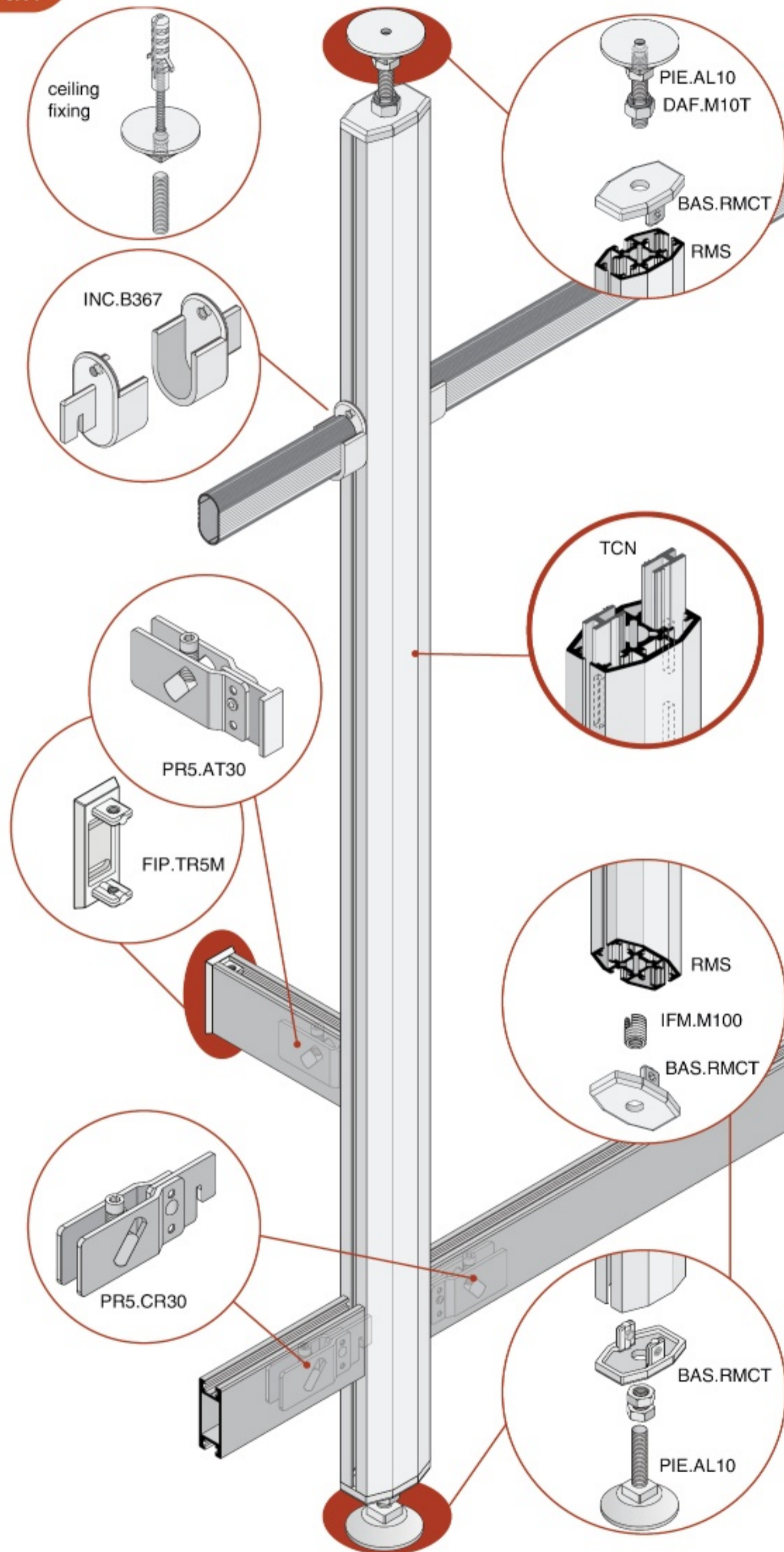
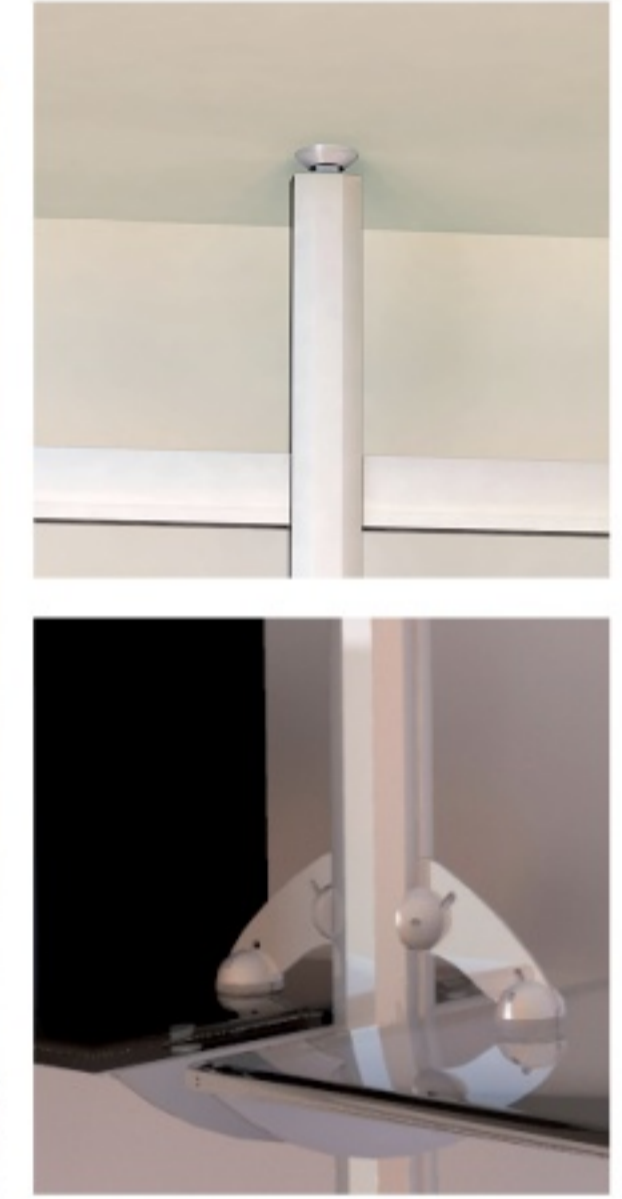
'ROGER PARTITION' - realized with LMK





FLOOR - CEILING expansion COMPOSITIONS with CENTRAL accessories on SLOTTED PROFILE

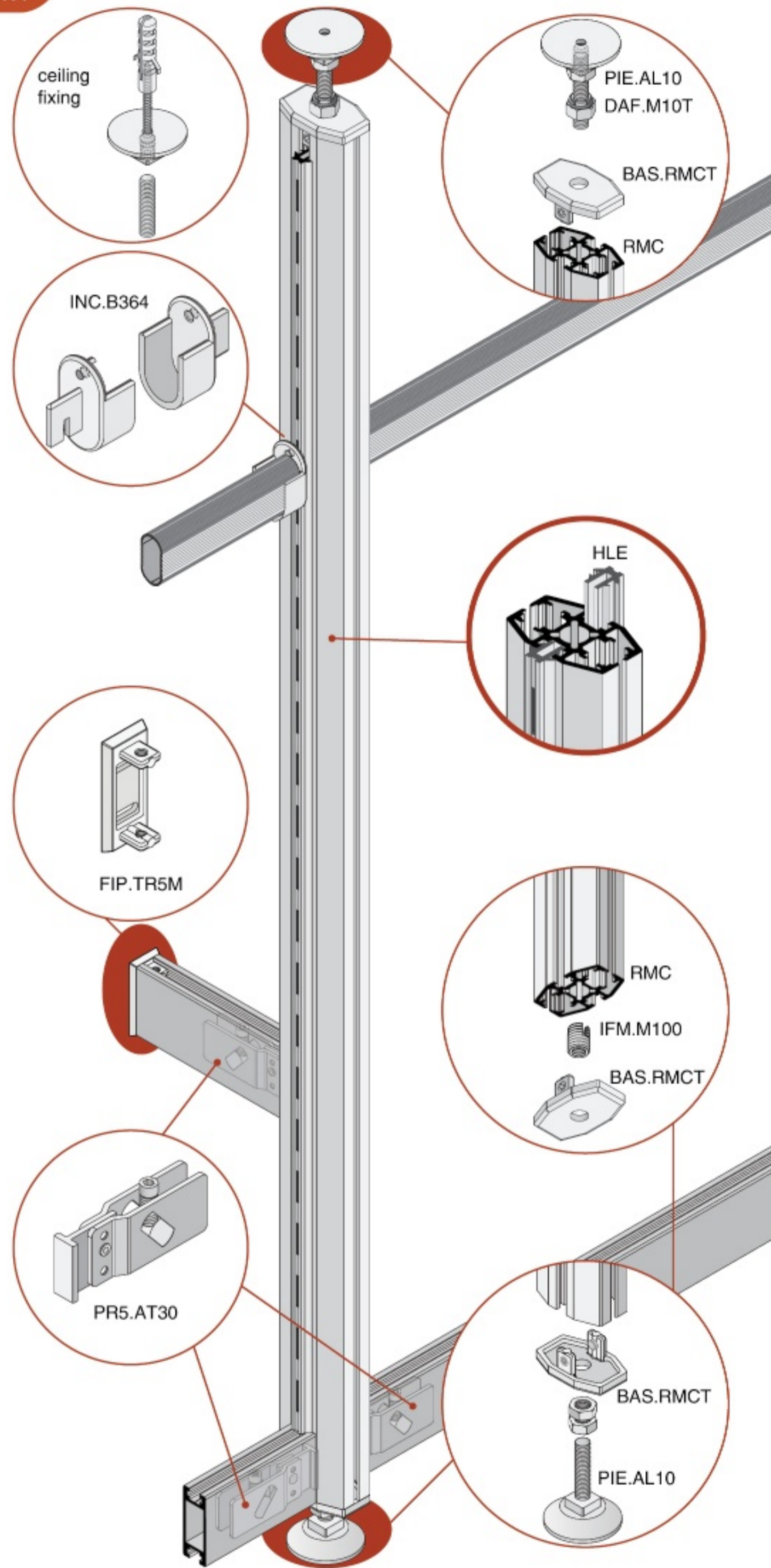
'BRAVO EXPANDED' - realized with RMS





FLOOR - CEILING expansion COMPOSITIONS with CENTRAL accessories on SLOTTED PROFILE

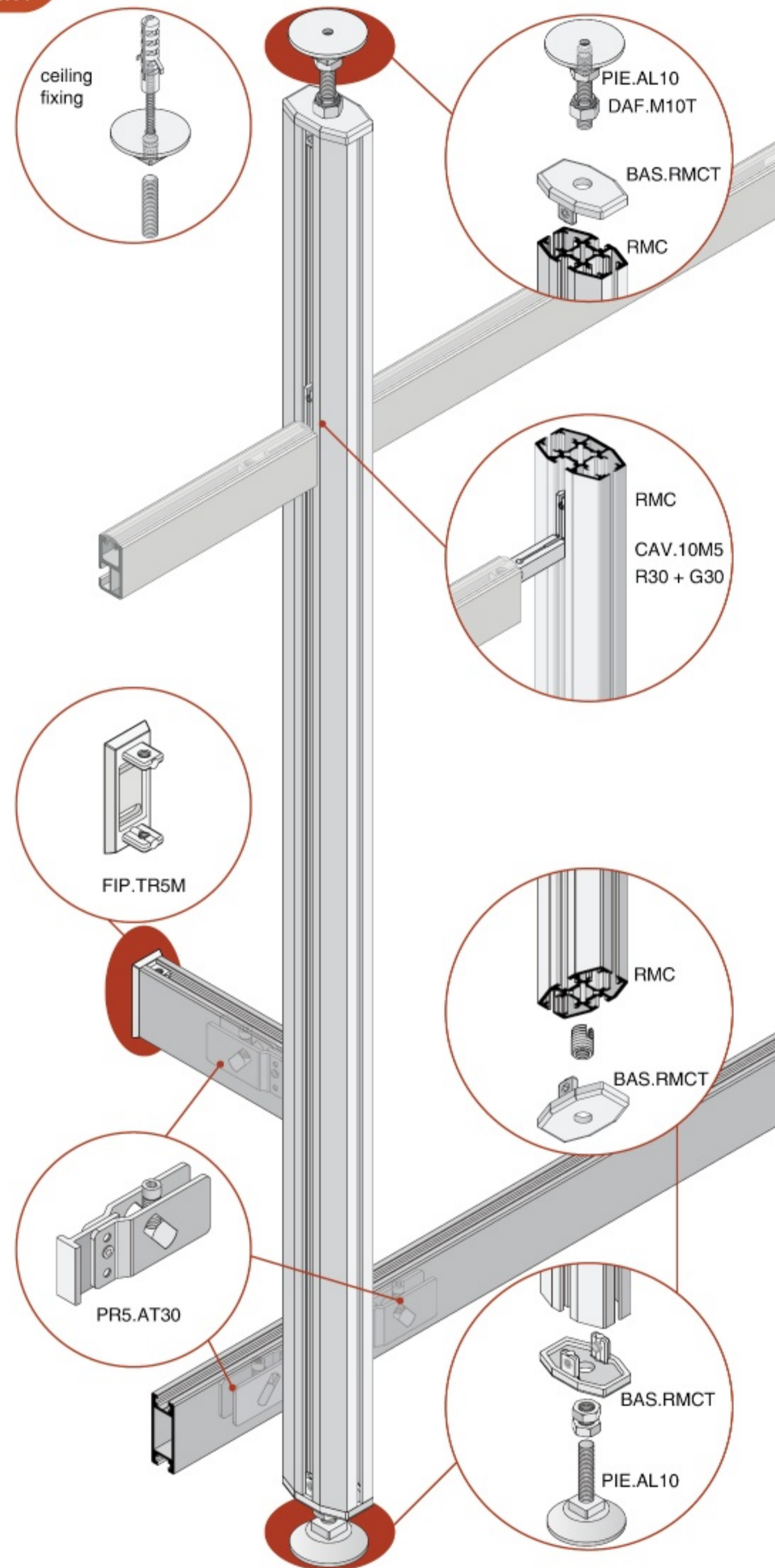
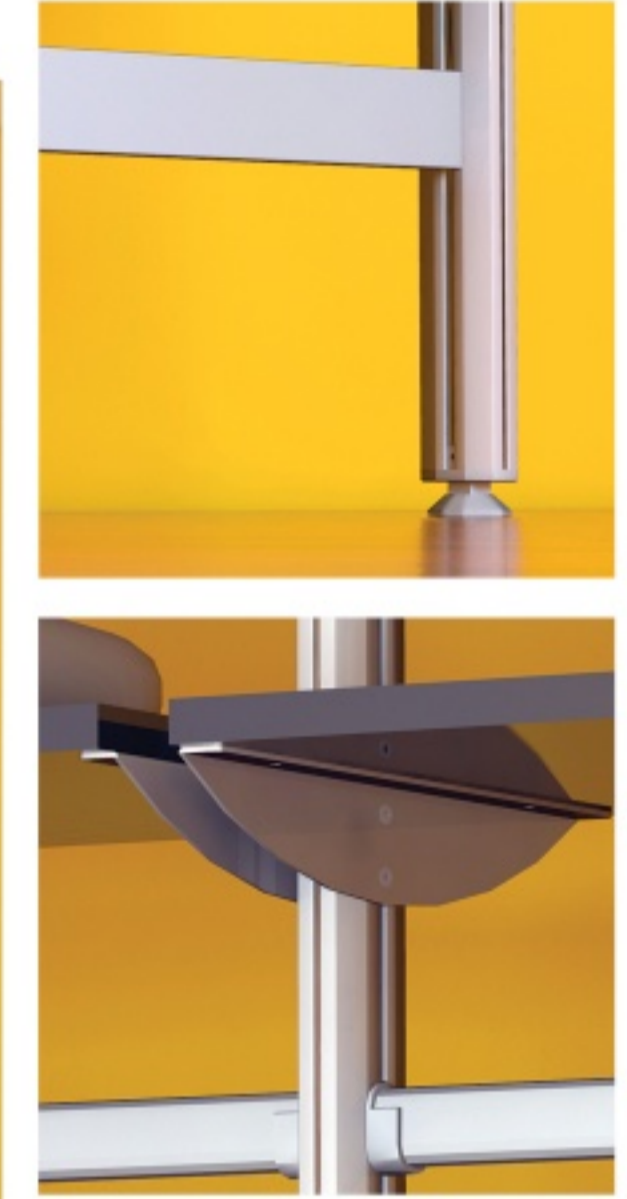
'ALPHA HLE EXPANDED' - realized with RMC and RMS





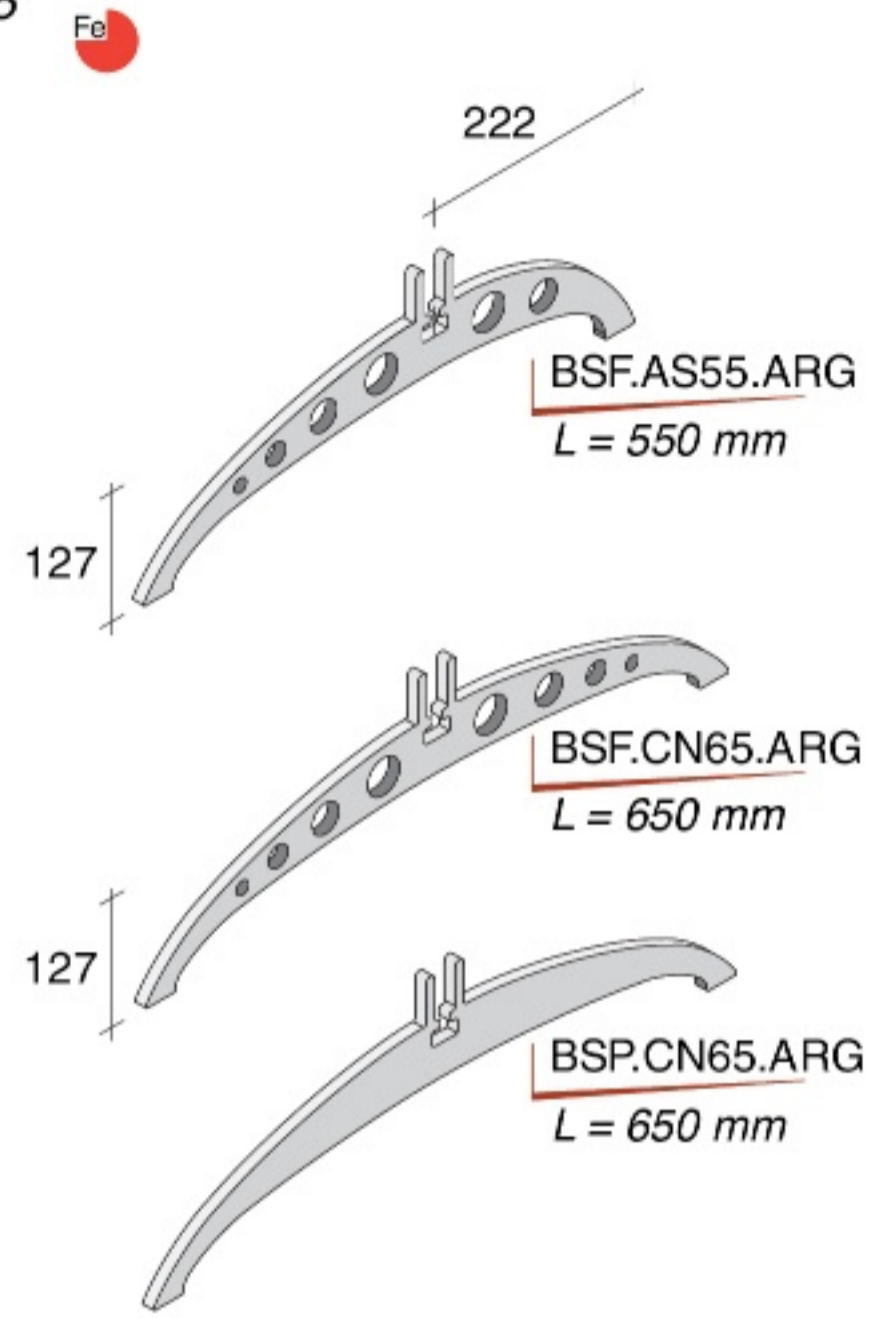
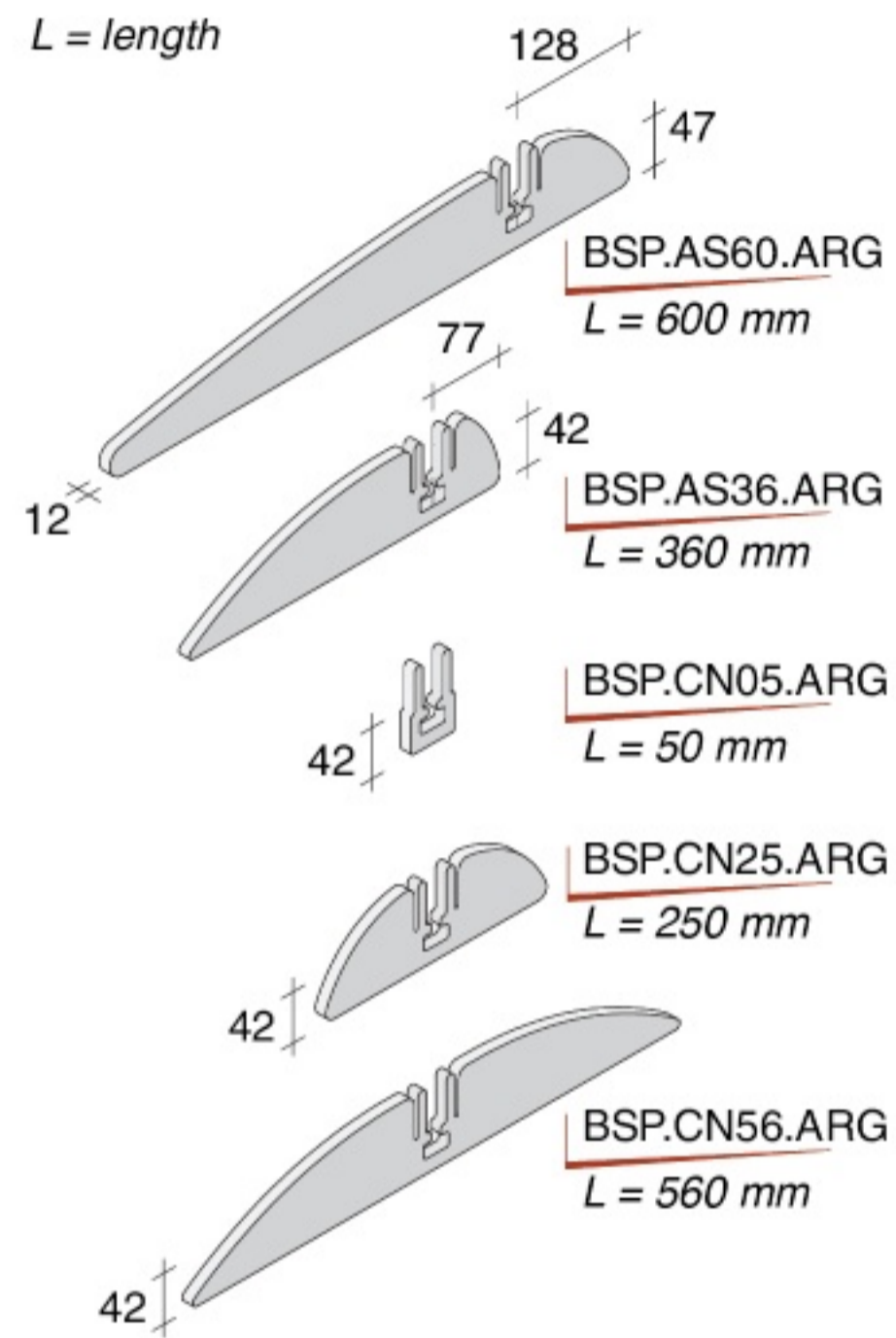
FLOOR - CEILING expansion COMPOSITIONS with CENTRAL accessories on CAM

'ALPHA EXPANDED' - realized with RMC and RMS



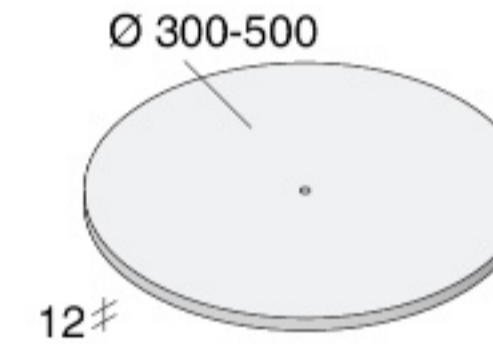
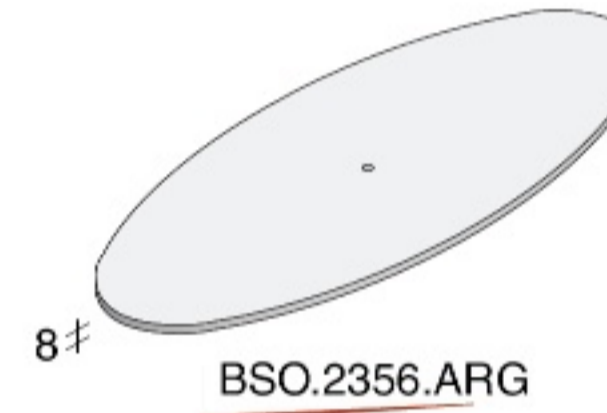
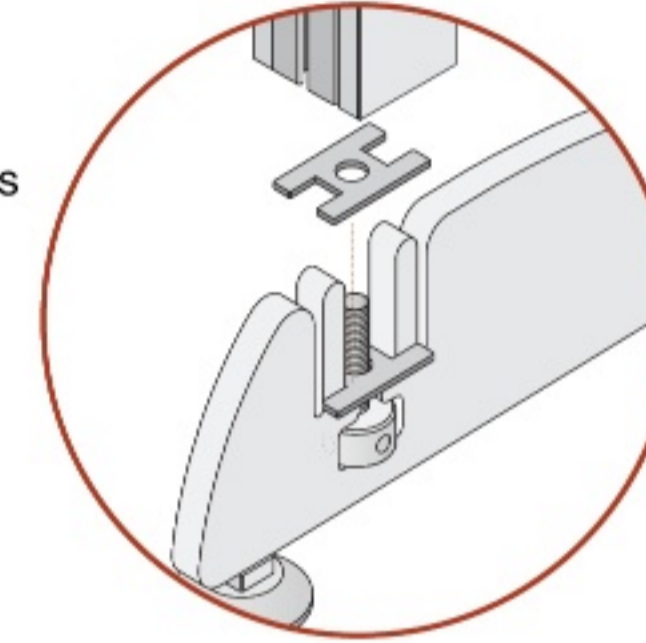
BASES WITH THREADED FERRULE M8

L = length



Support plate for
SLK and SCK coverings

BAS.HCOP.ZIN



PIE.AL10.LUX



BSP.CN65.ARG with PIE.AL08.NAT

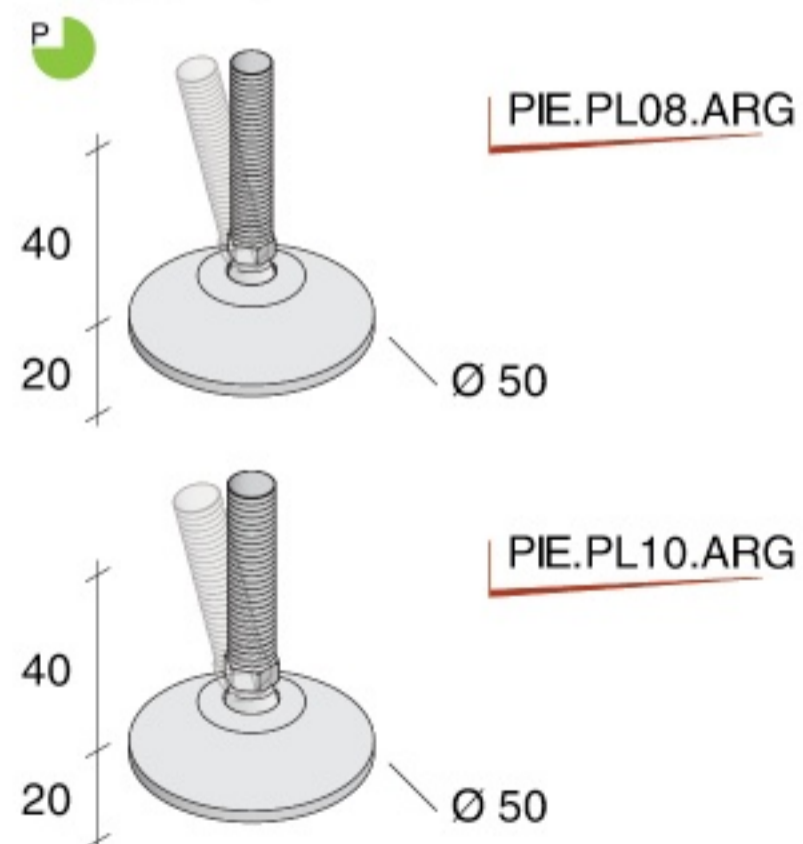


BSP.AS60.ARG with PIE.AL08.NAT

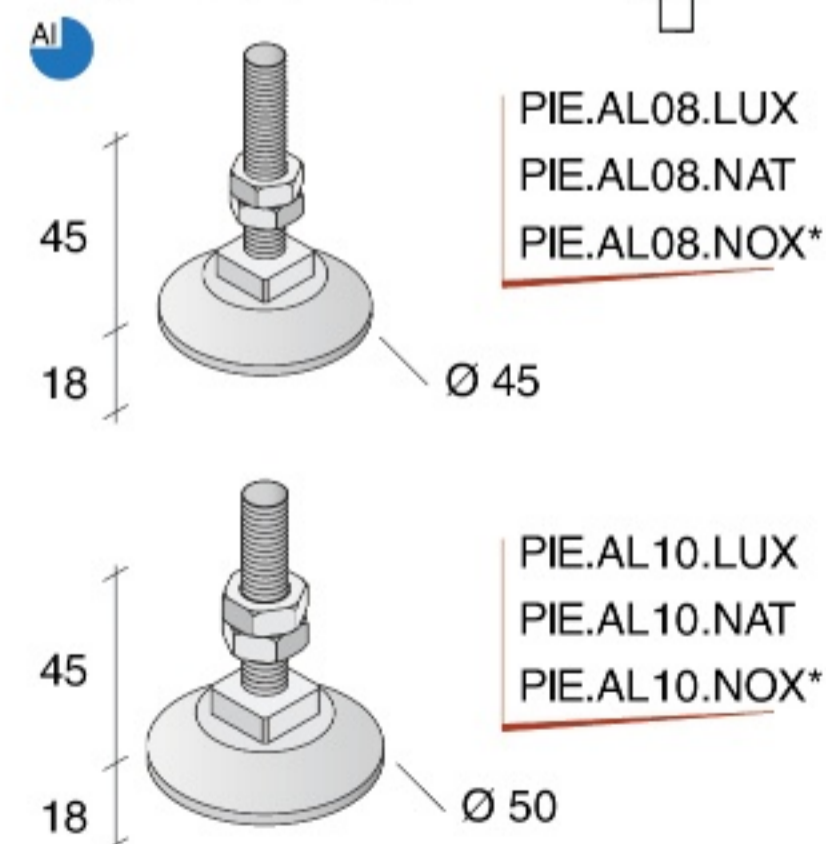
FEET

Plastic
tilting foot
M8 and M10

UNSUITABLE
for ceiling-floor
application



Aluminium foot with
passing hole for wall
fixing - **M8 and M10**

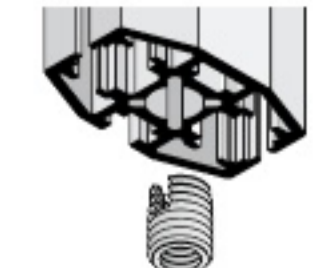


THREADED FERRULES

Self-locking nuts
for foot blocking to
ceiling (without IFM)



Threaded
ferrules



Assembly tools
for threaded
ferrules

