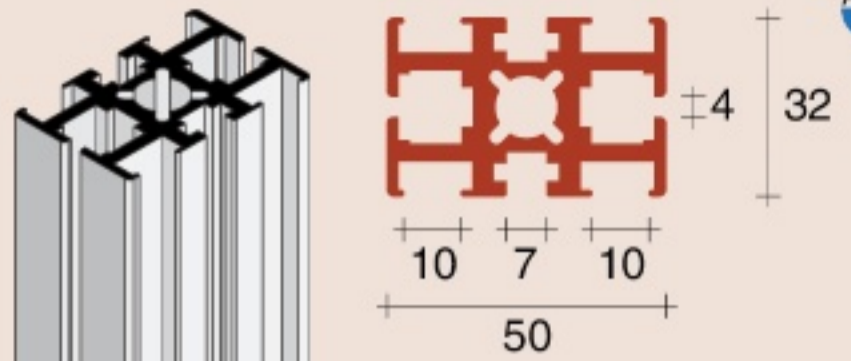




## LMK MULTIFUNCTION PROFILE



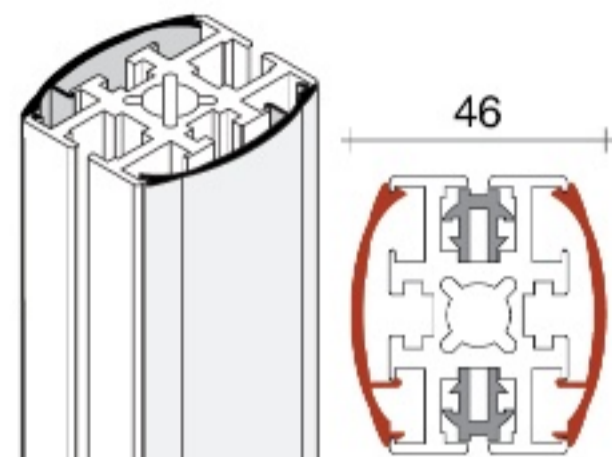
**LMK**  
(4 way - frontal  
and lateral use)

- LMK.1500.NAT
- LMK.2000.NAT
- LMK.2500.NAT
- LMK.3000.NAT
- LMK.3500.NAT

Compatible with  
**HLE**

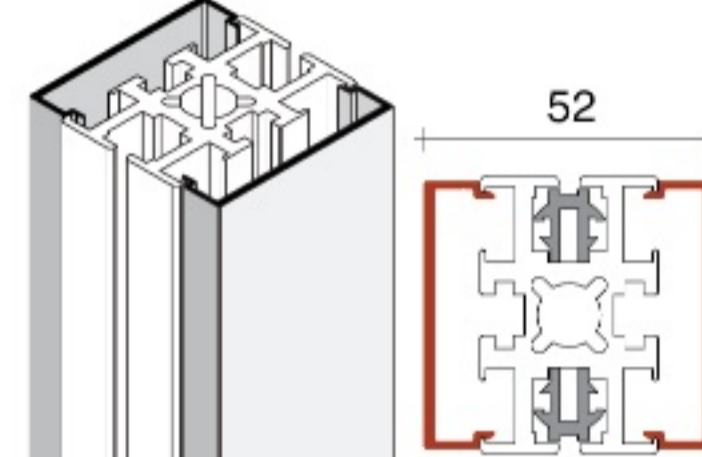


## COVER PROFILES



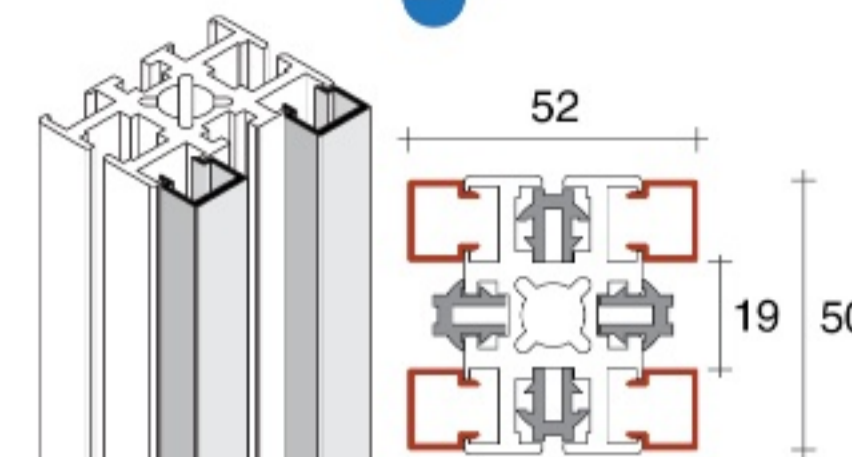
**SLK**

- SLK.1500.NAT
- SLK.2000.NAT
- SLK.2500.NAT
- SLK.3000.NAT
- SLK.3500.NAT



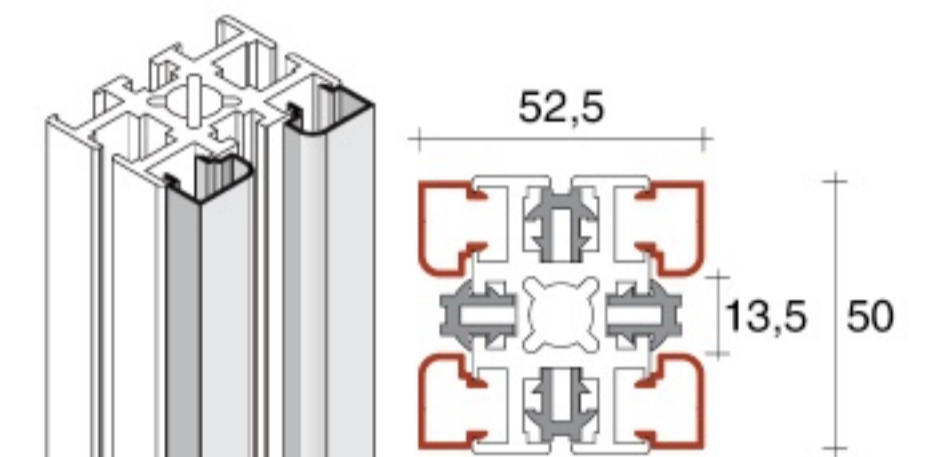
**SCK**

- SCK.1500.NAT
- SCK.2000.NAT
- SCK.2500.NAT
- SCK.3000.NAT
- SCK.3500.NAT



**CSK**

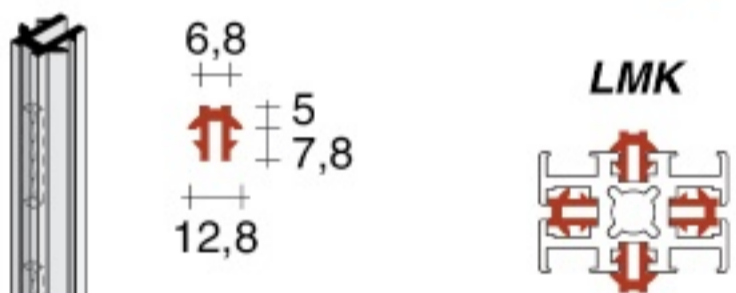
- CSK.1500.NAT
- CSK.2000.NAT
- CSK.2500.NAT
- CSK.3000.NAT
- CSK.3500.NAT



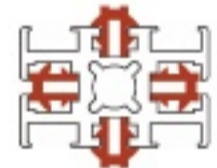
**CPK**

- CPK.1500.NAT
- CPK.2000.NAT
- CPK.2500.NAT
- CPK.3000.NAT
- CPK.3500.NAT

## INSERTION SINGLE SLOTTED PROFILE



**LMK**



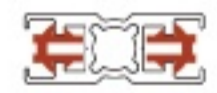
**HLE**

- HLE.2013.NAT
- HLE.2531.NAT
- HLE.3012.NAT

**RMS / RMC / RDC**



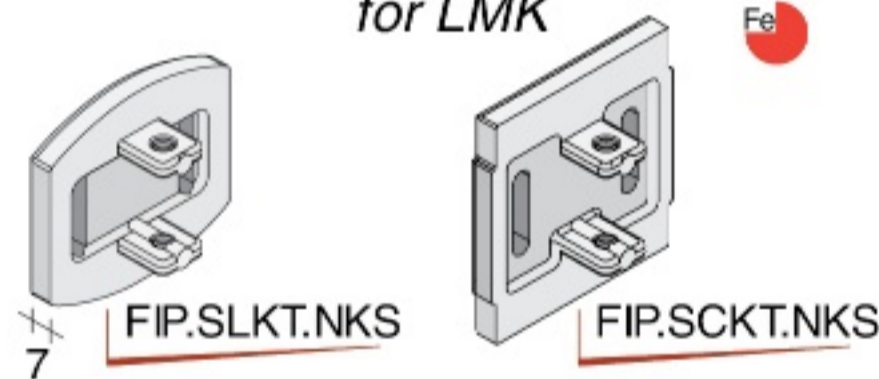
**TK5**



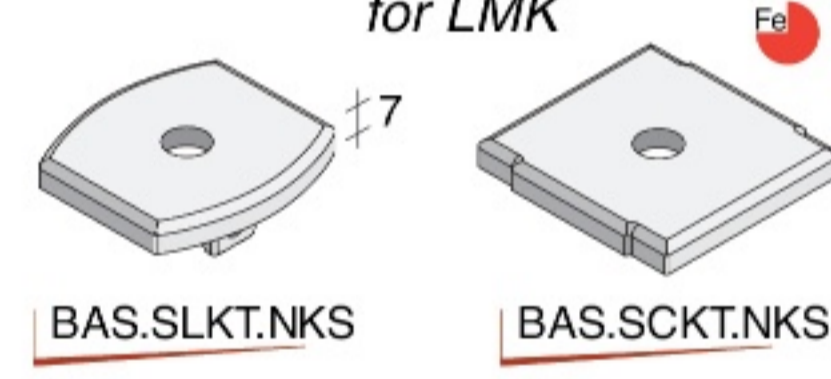
**TR5**



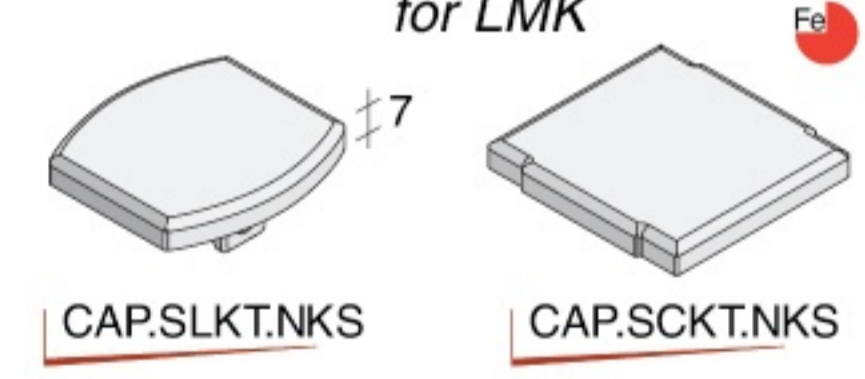
## WALL FIXING PLATES for LMK



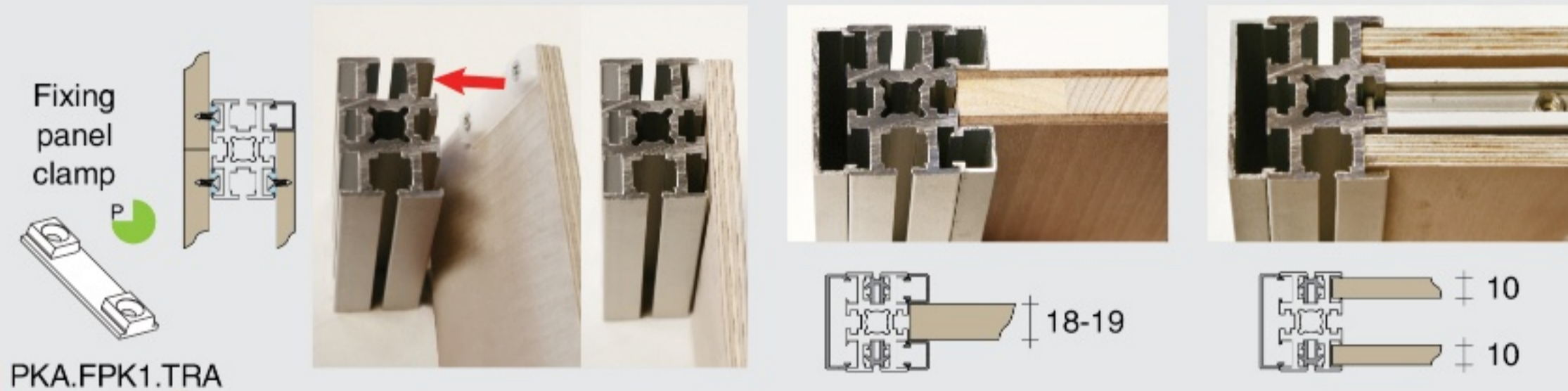
## PRE-DRILLED BASES for LMK



## FINISHING END CAPS for LMK



## USE WITH PANELS



## 90° INNER JOINT

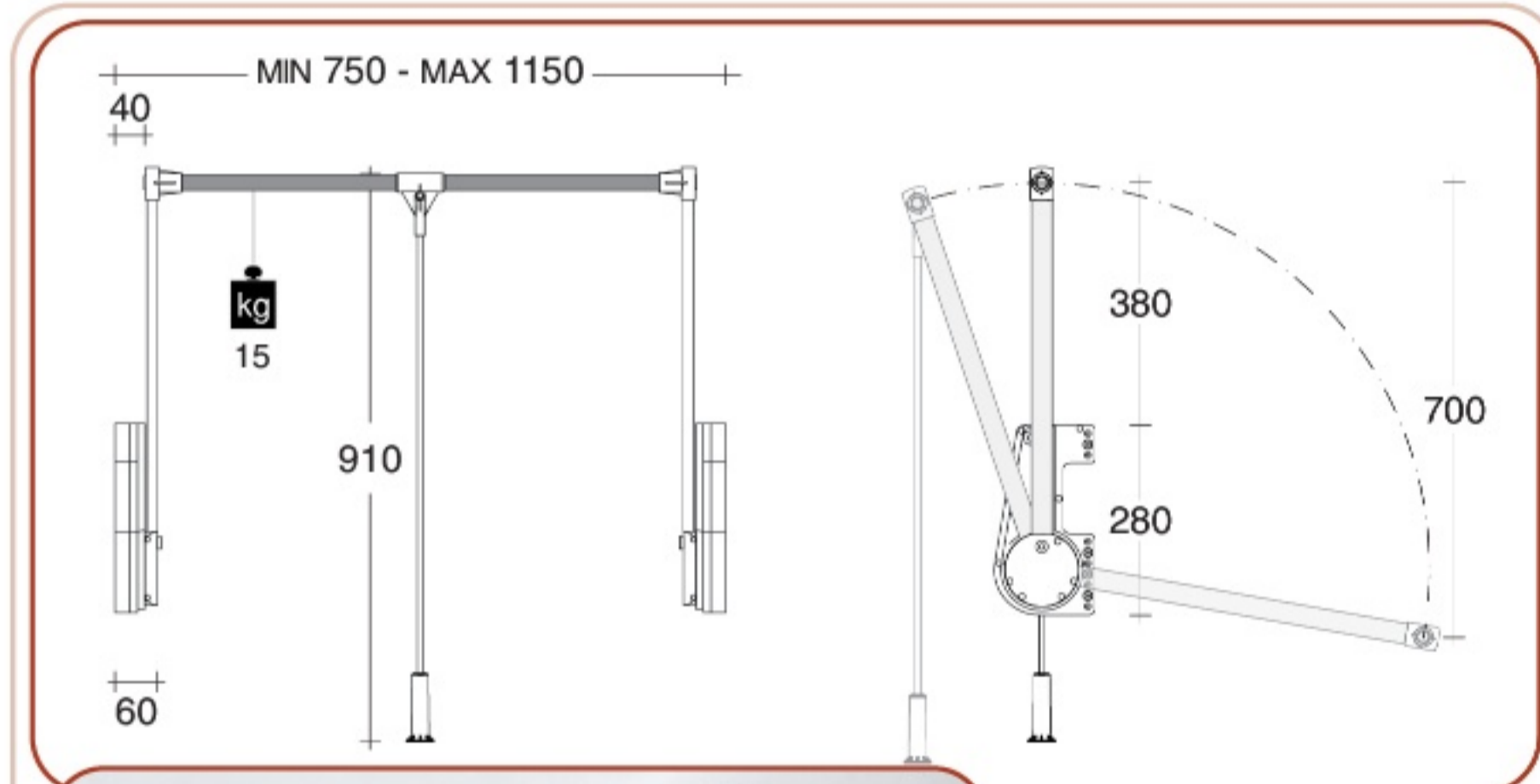
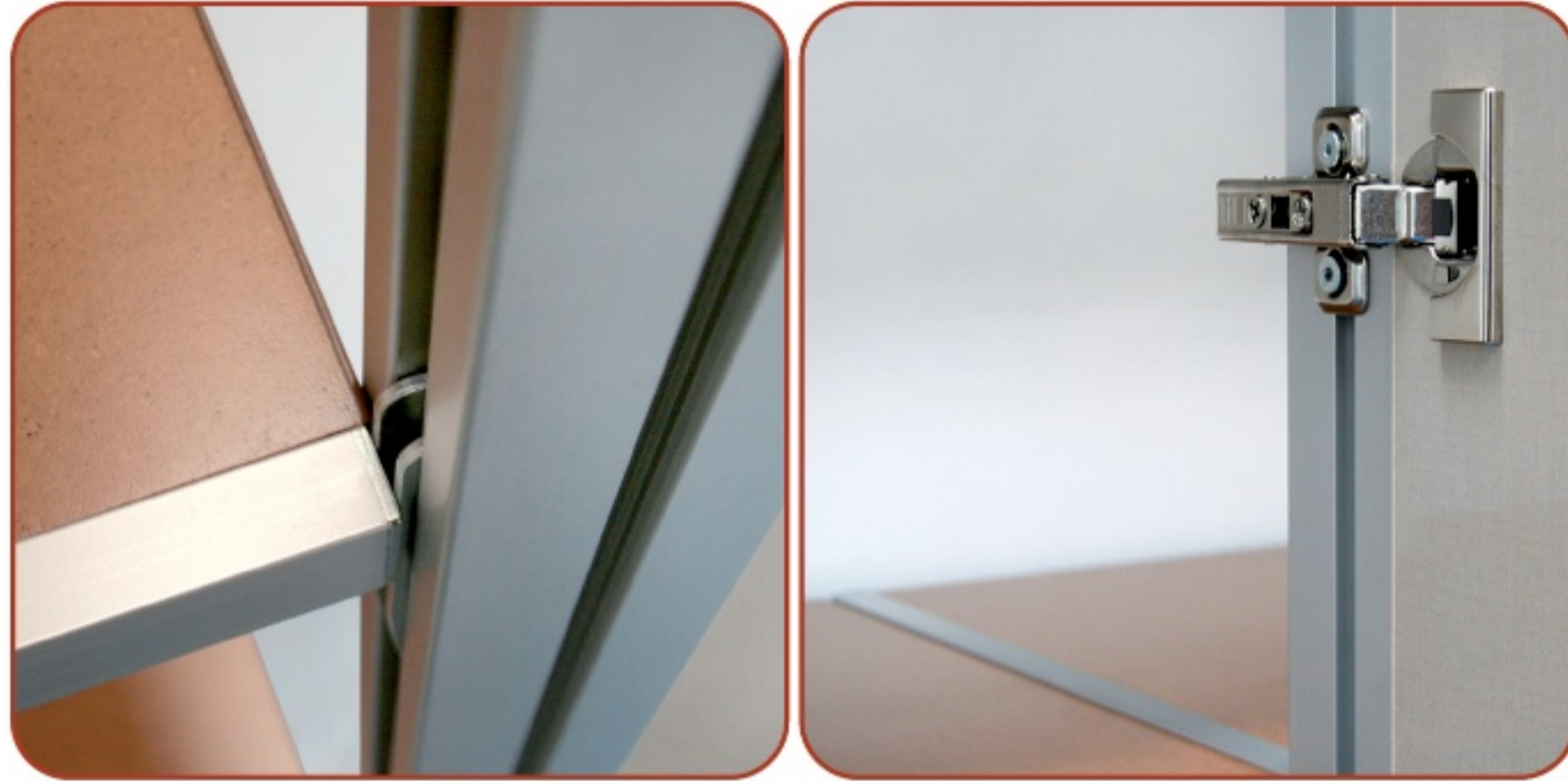
LMK - LMK



CAV.10M5.GRE



# Self standing system components

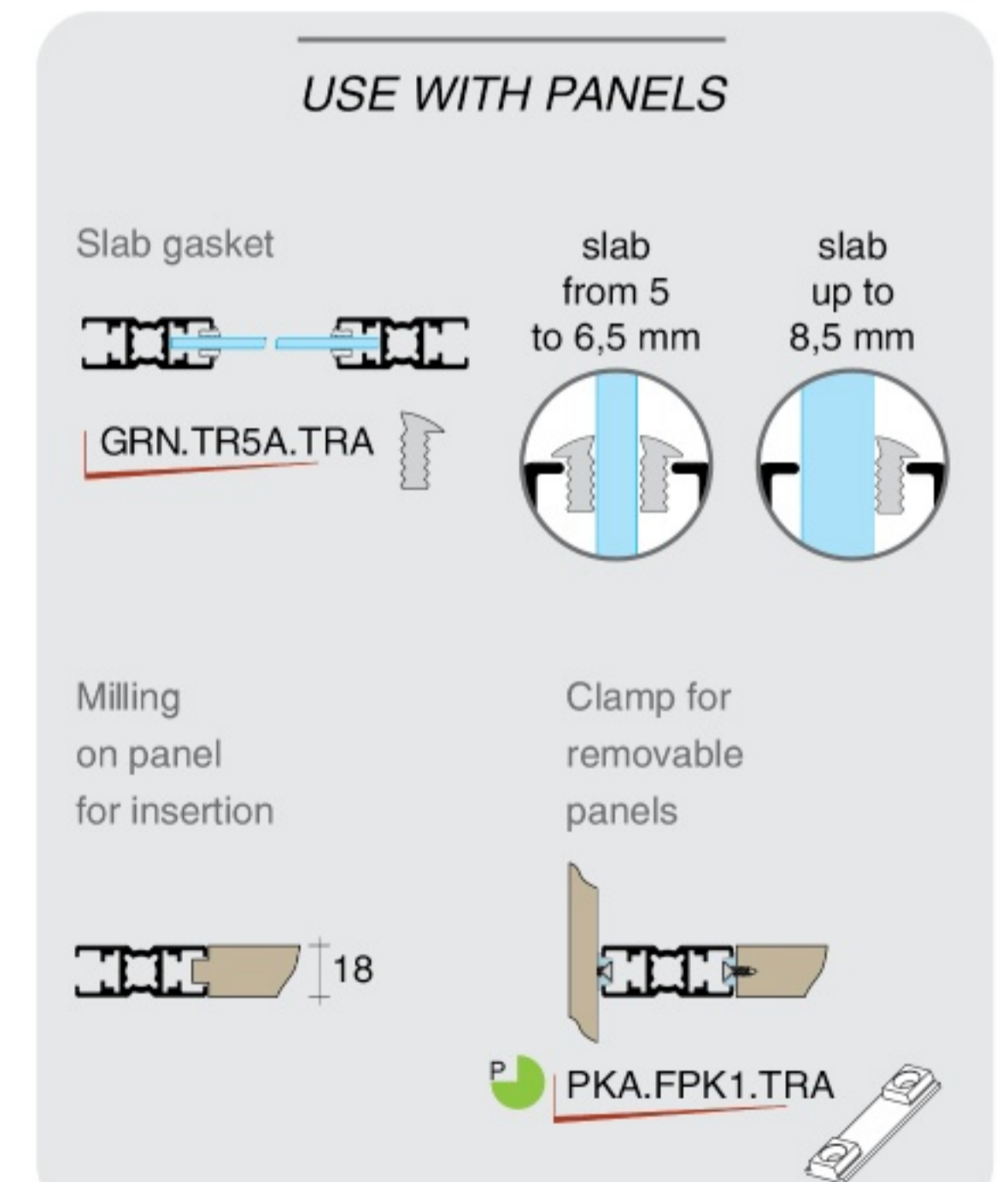
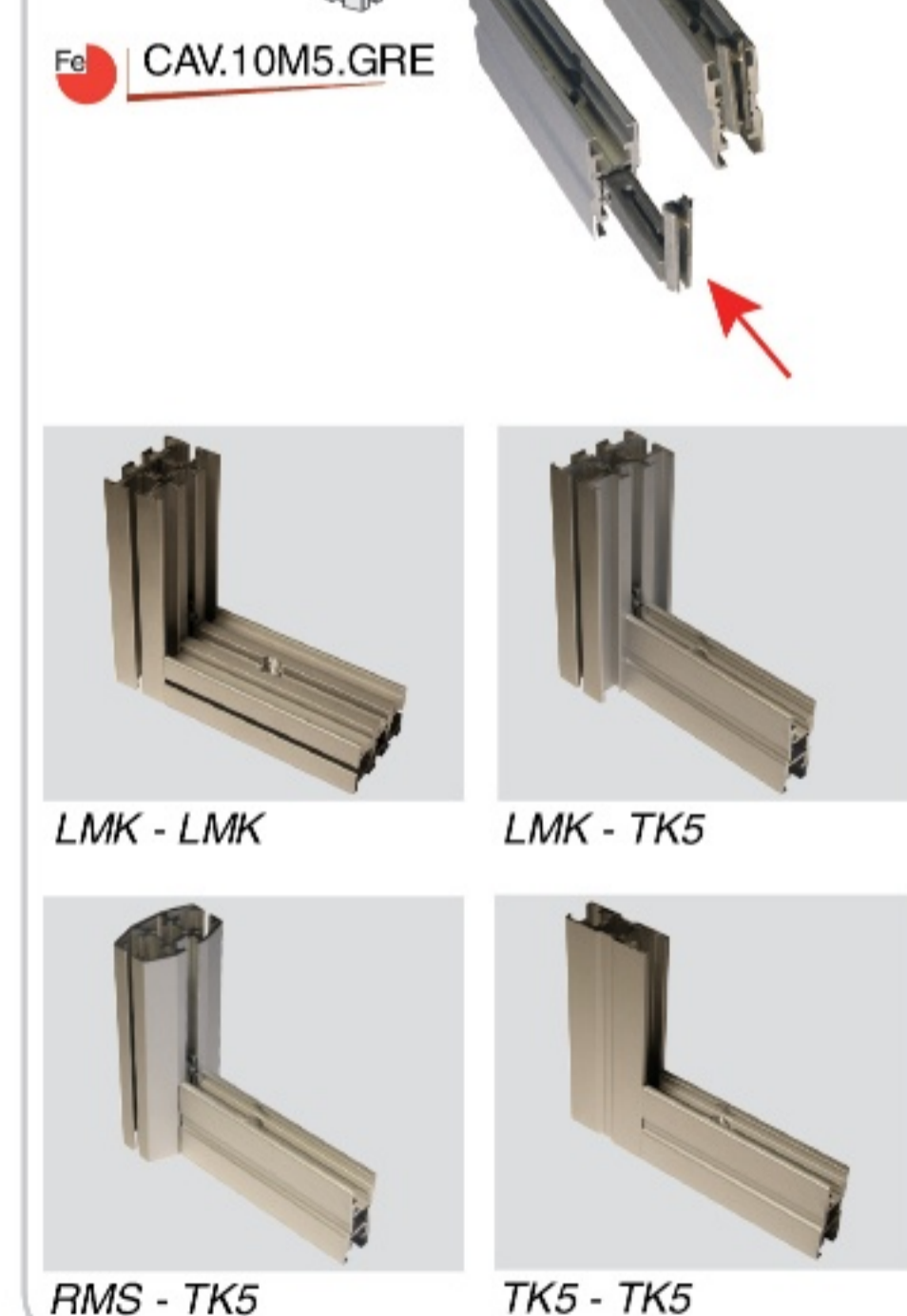
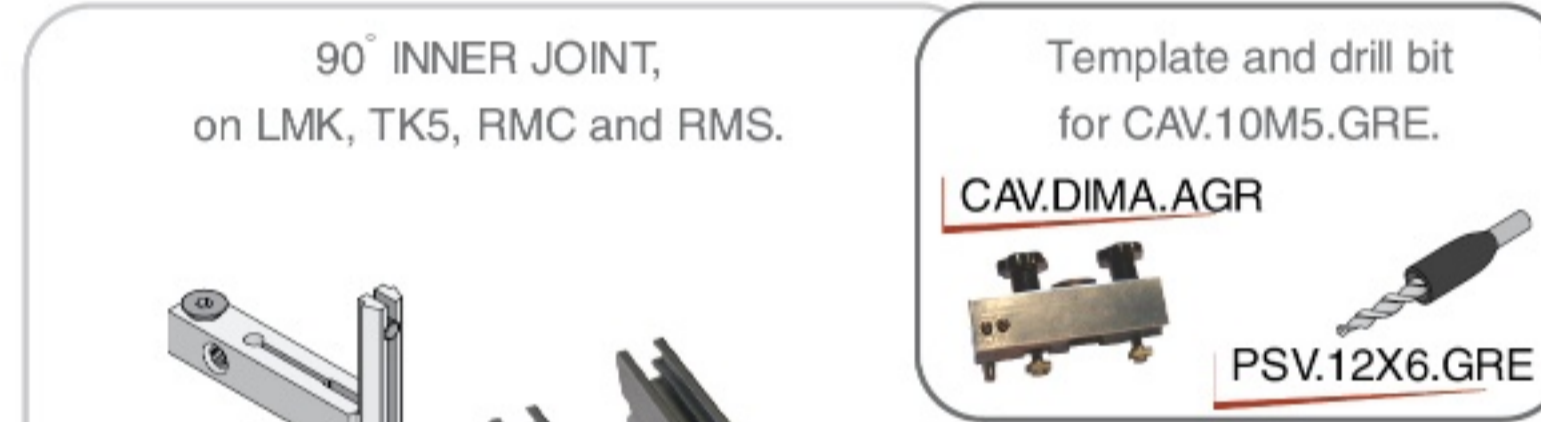
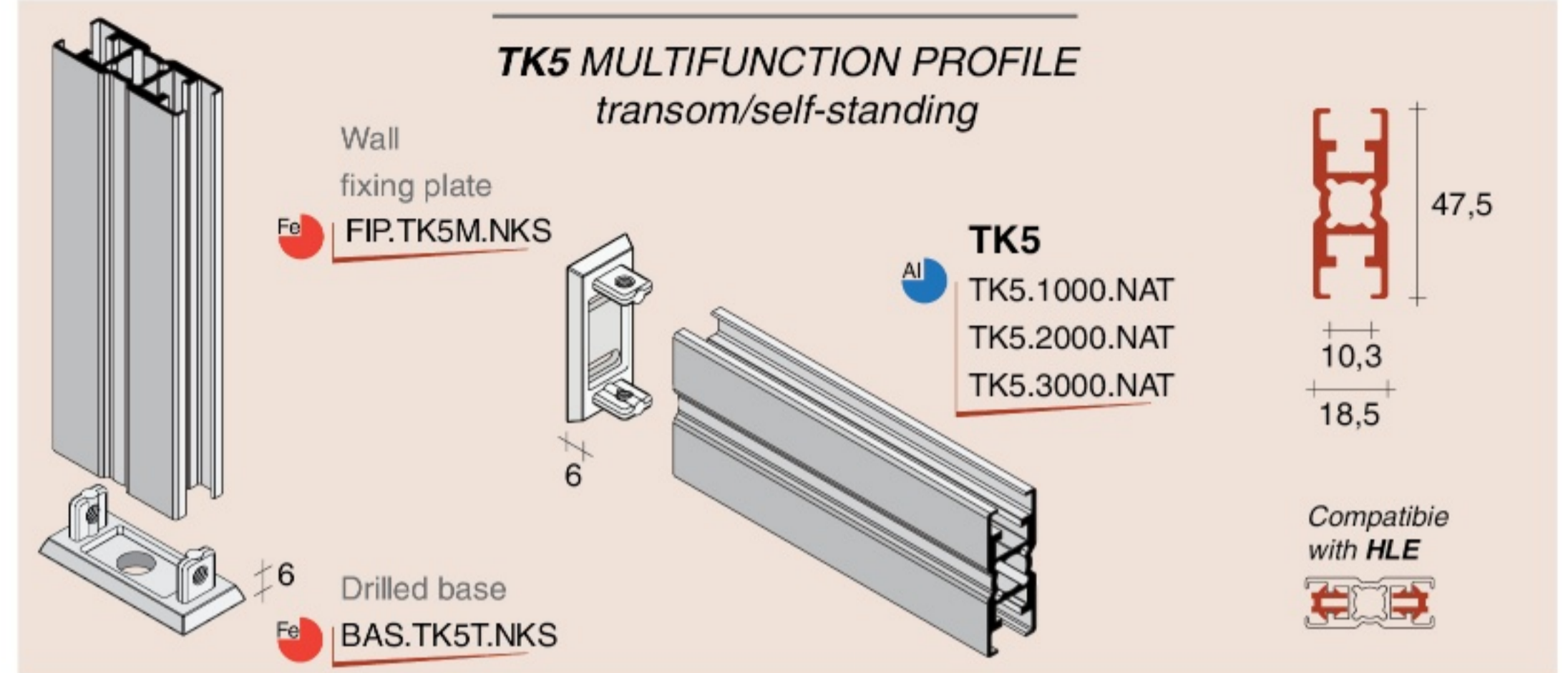


## HANGRAIL LIFT

CAB.70LF.ARG



# Self standing system components





# EQUIPPABLE GONDOLAS with INTERNAL DIVIDING PANELS

'ISOLA' - realized with LMK

