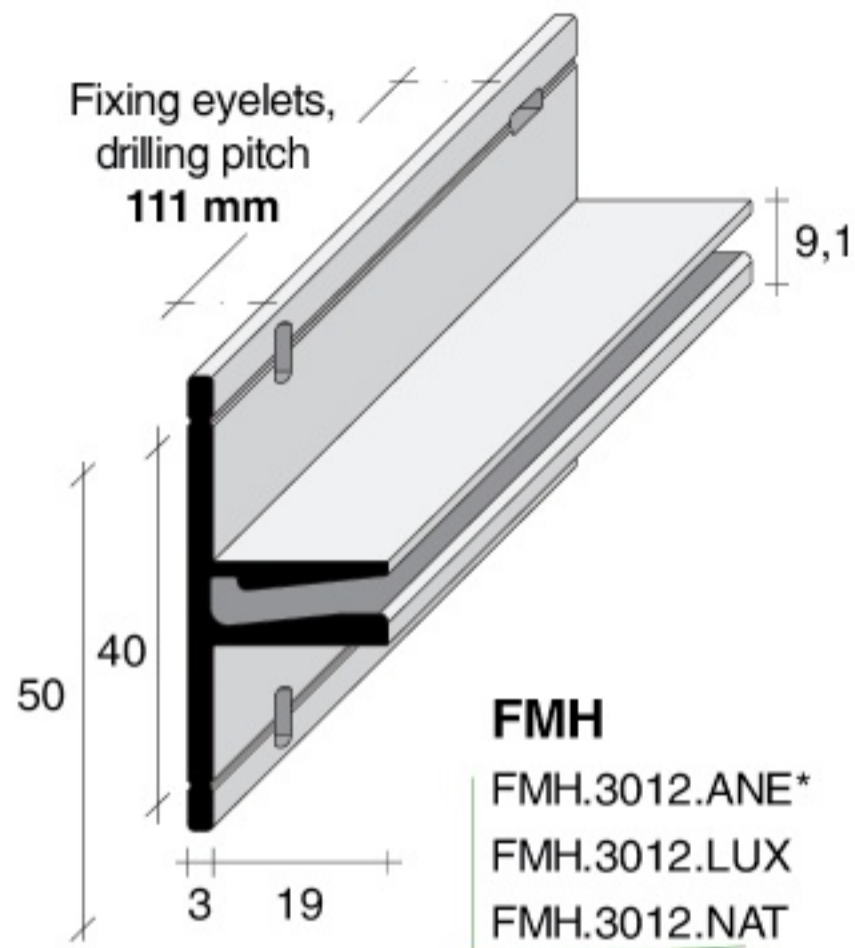
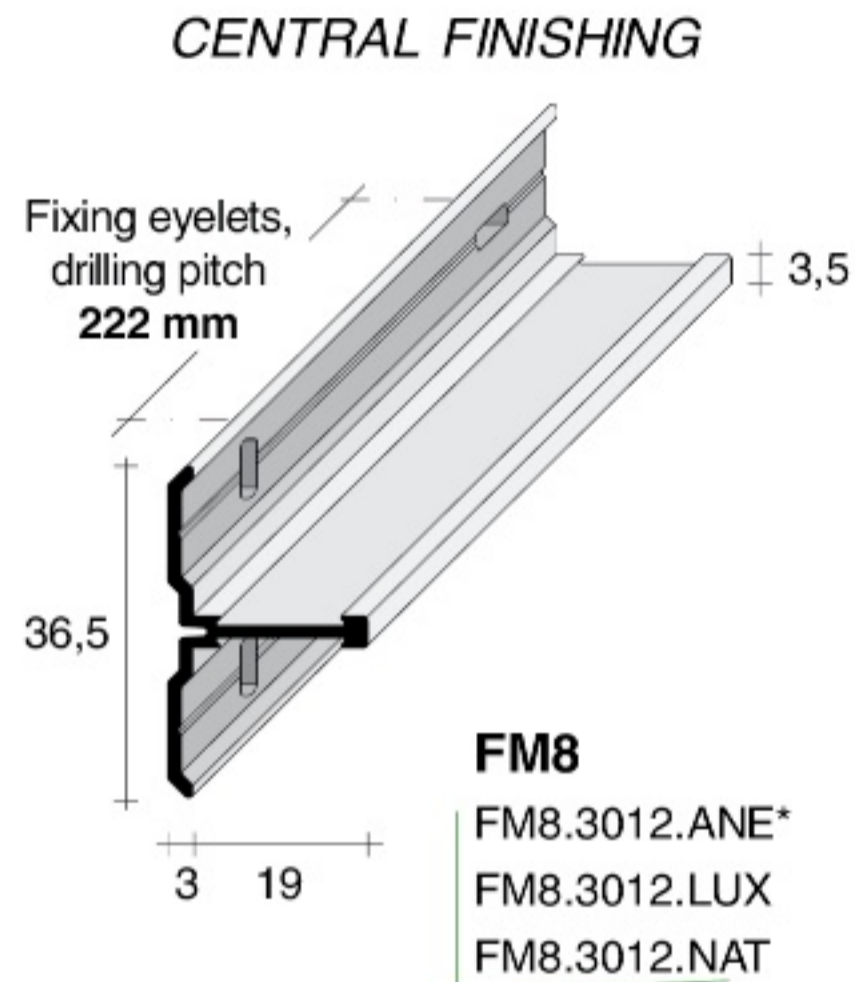


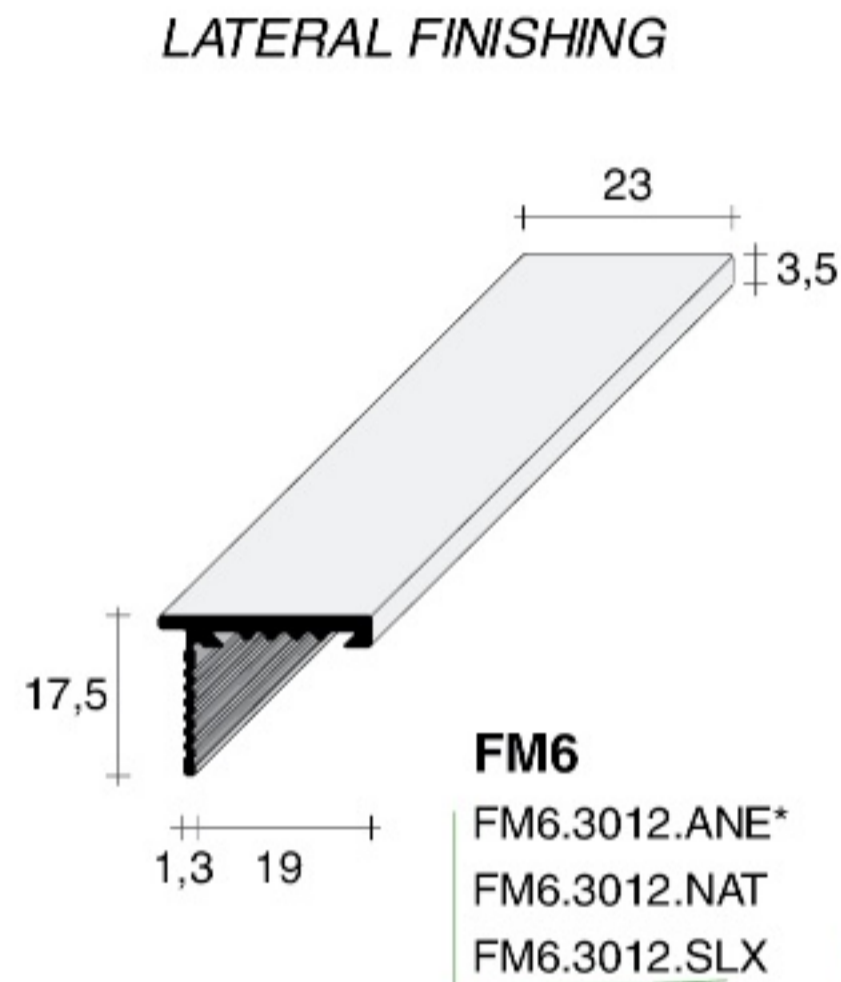
EQUIPPABLE PROFILE AND FINISHING PROFILES



FMH
FMH.3012.ANE*
FMH.3012.LUX
FMH.3012.NAT

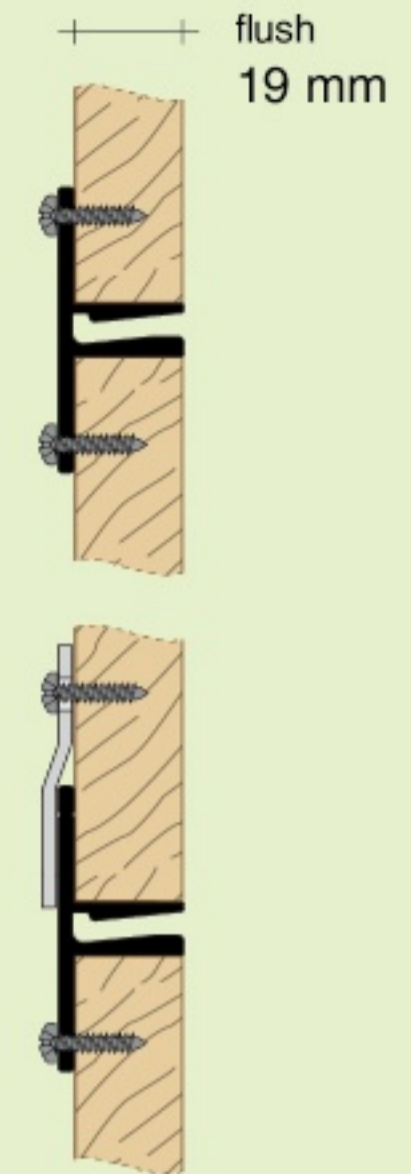
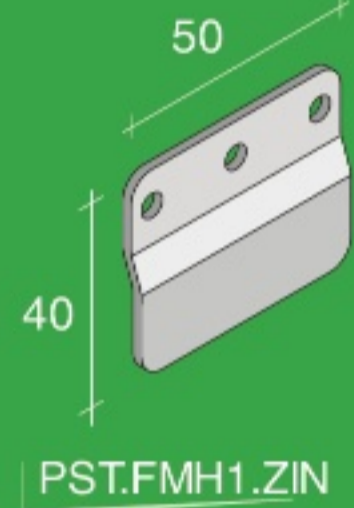


FM8
FM8.3012.ANE*
FM8.3012.LUX
FM8.3012.NAT

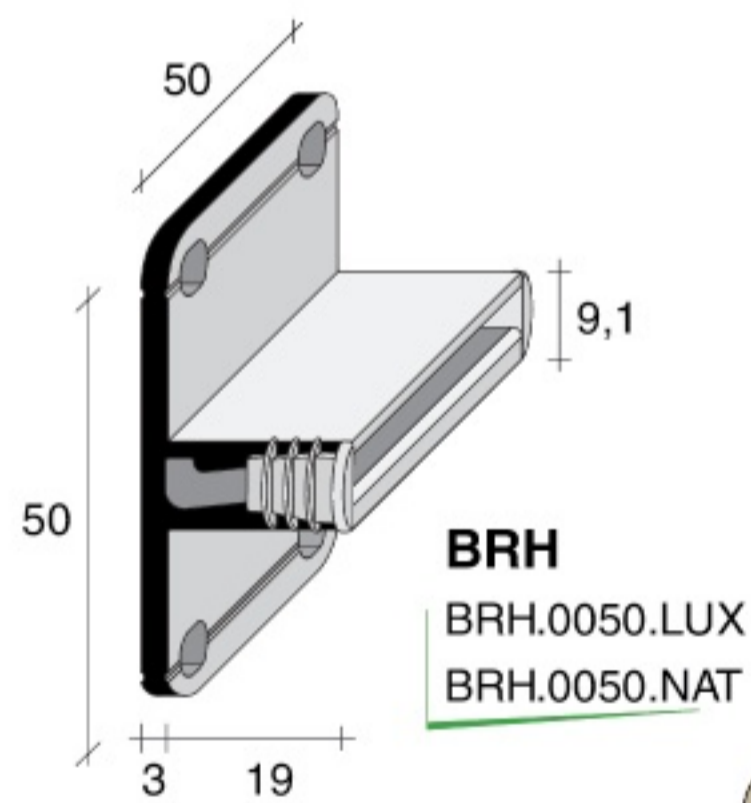


FM6
FM6.3012.ANE*
FM6.3012.NAT
FM6.3012.SLX

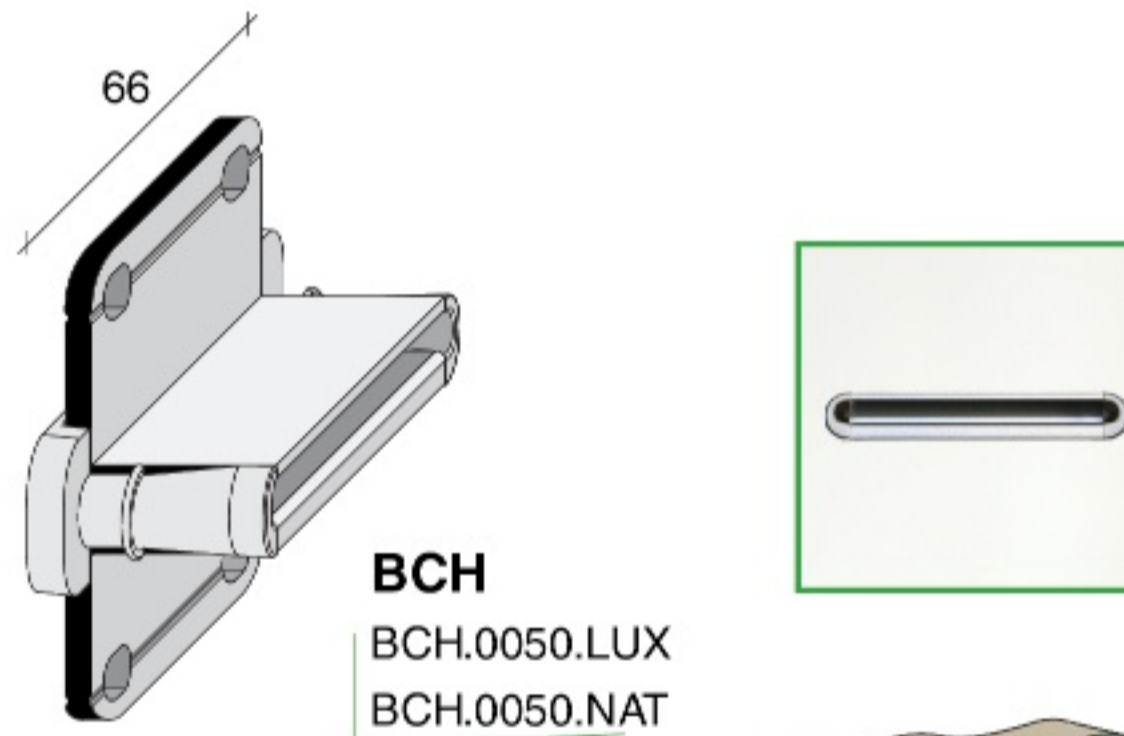
Plate for assembly on long spans



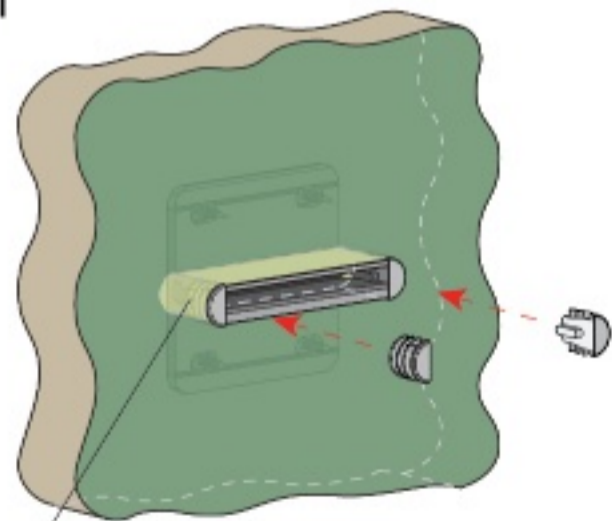
SINGLE POINT SUPPORT



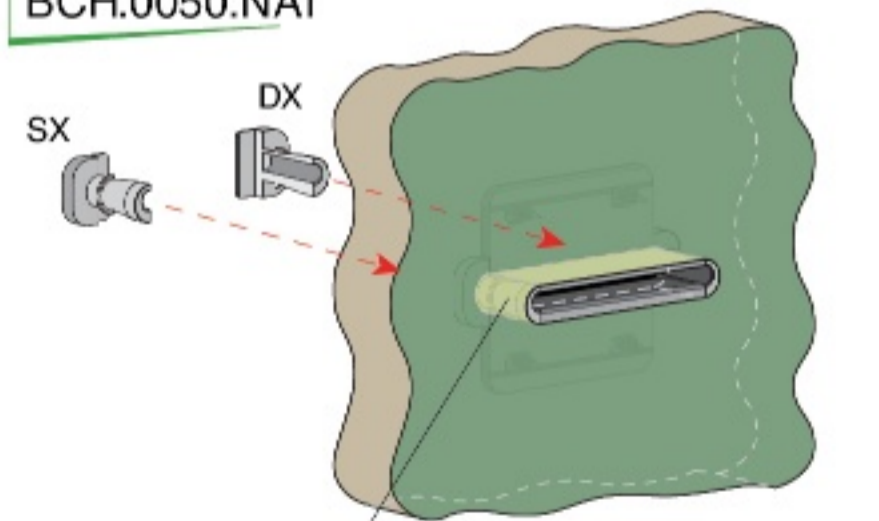
BRH
BRH.0050.LUX
BRH.0050.NAT



BCH
BCH.0050.LUX
BCH.0050.NAT



Milling Ø 9,5 mm
59,5 / 62 mm length



Milling Ø 9,5 mm
59,5 mm length

Finishing end cap

CAP.FR10

- CAP.FR10.CHL
- CAP.FR10.GRI
- CAP.FR10.NKS

CAP.BCDX

CAP.BCSX

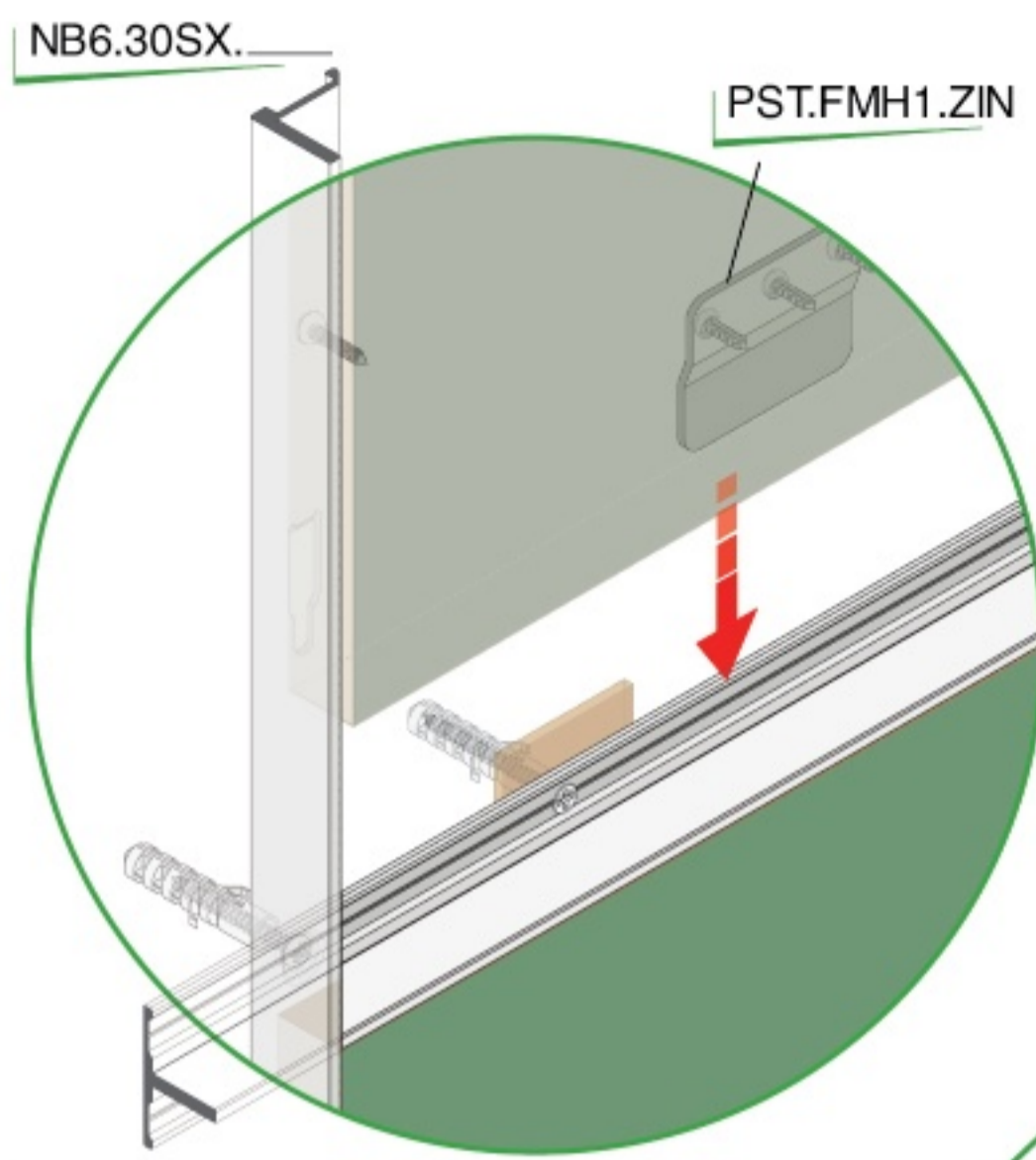
- CAP.BCDX.CHL
- CAP.BCSX.CHL
- CAP.BCDX.NKS
- CAP.BCSX.NKS

AI	Length in mm	3012
NAT	SATINIZED SILVER	
ANE	BLACK	
LUX	BRILLIANT	

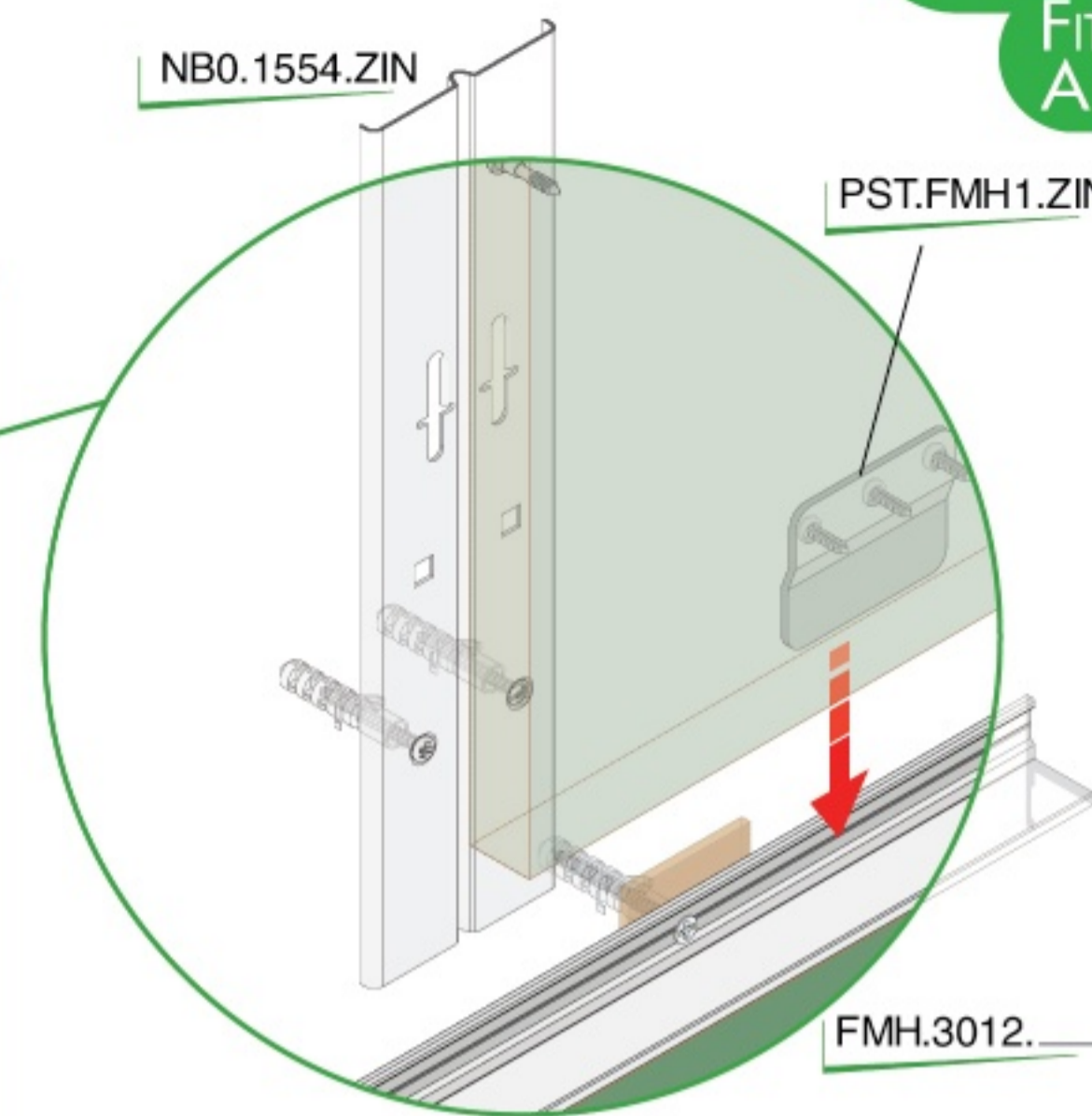
* special items



FM series

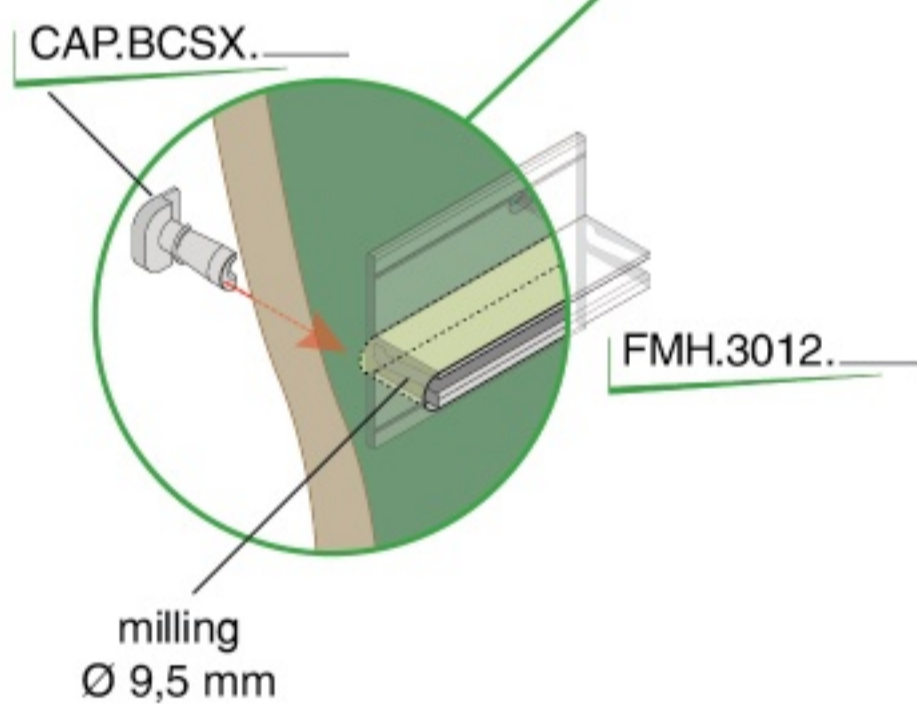


FM8.3012.
cut at 45°



FMH.3012.
cut at 45°

NB9.3012.
with opening for
horizontal profile
insertion



FM8.3012.
cut at 45°

