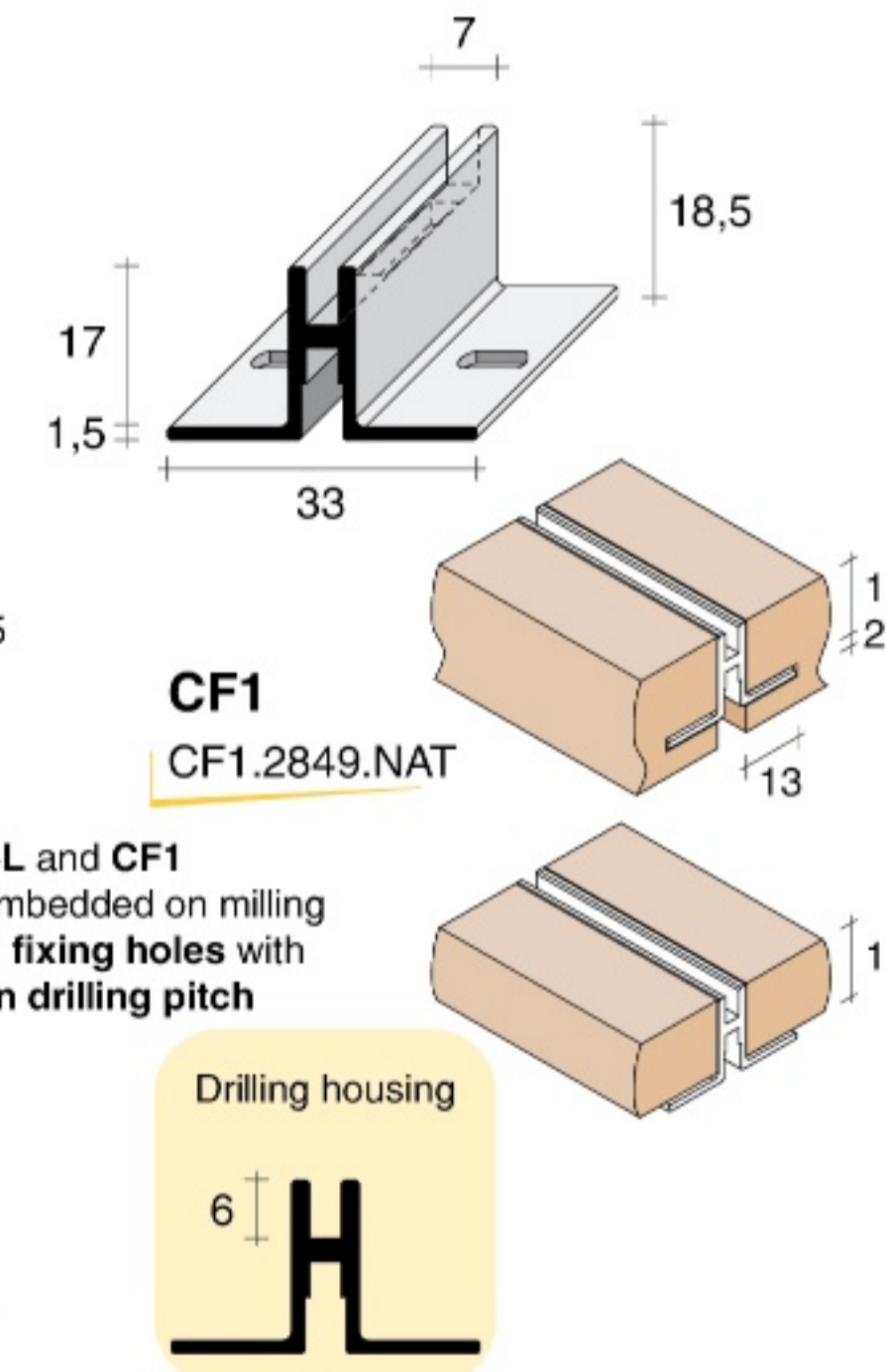
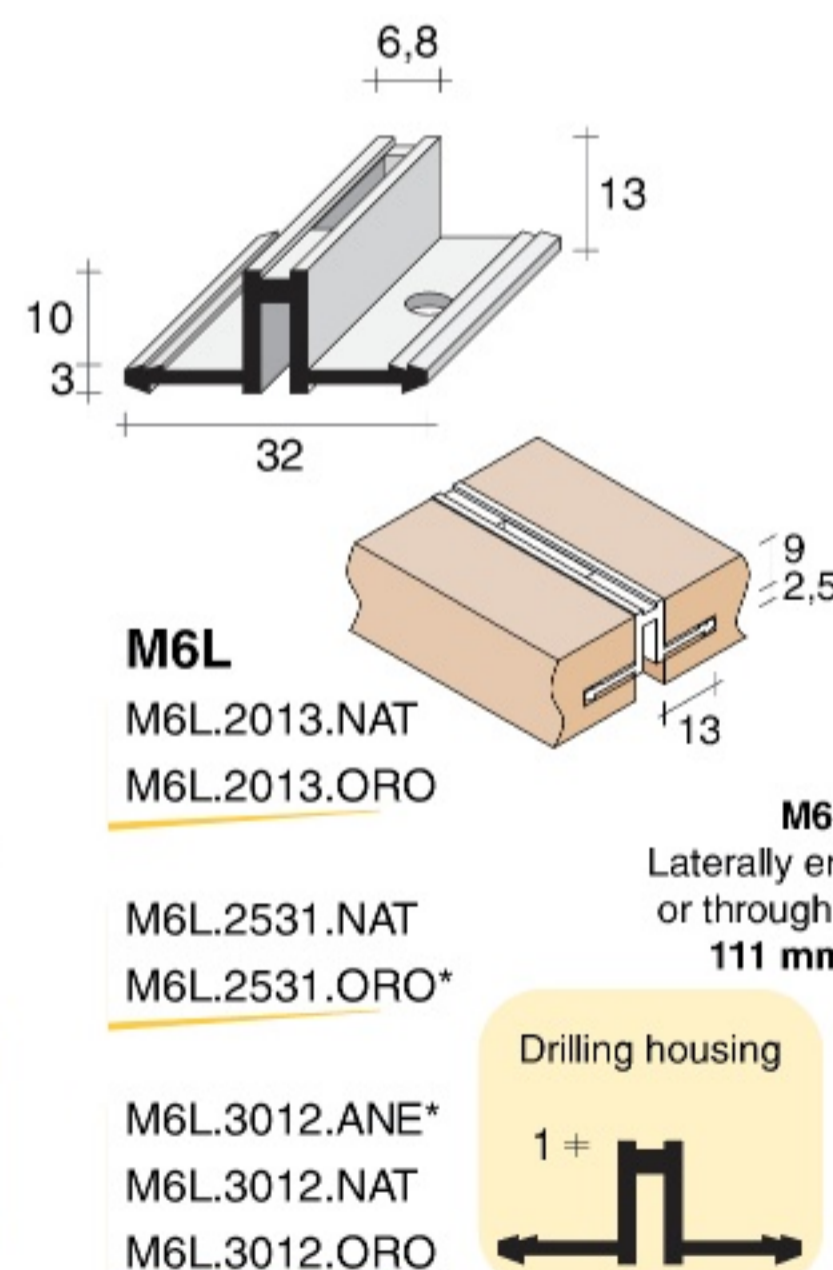
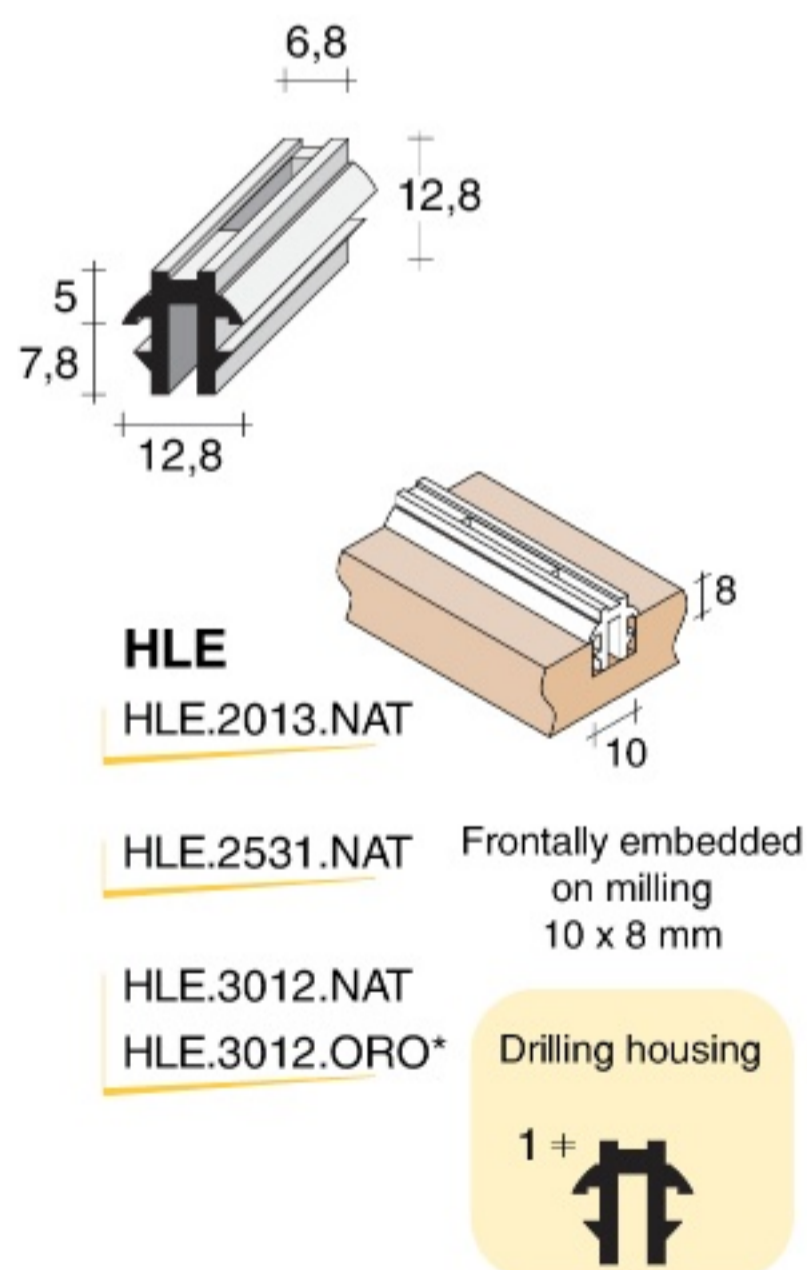
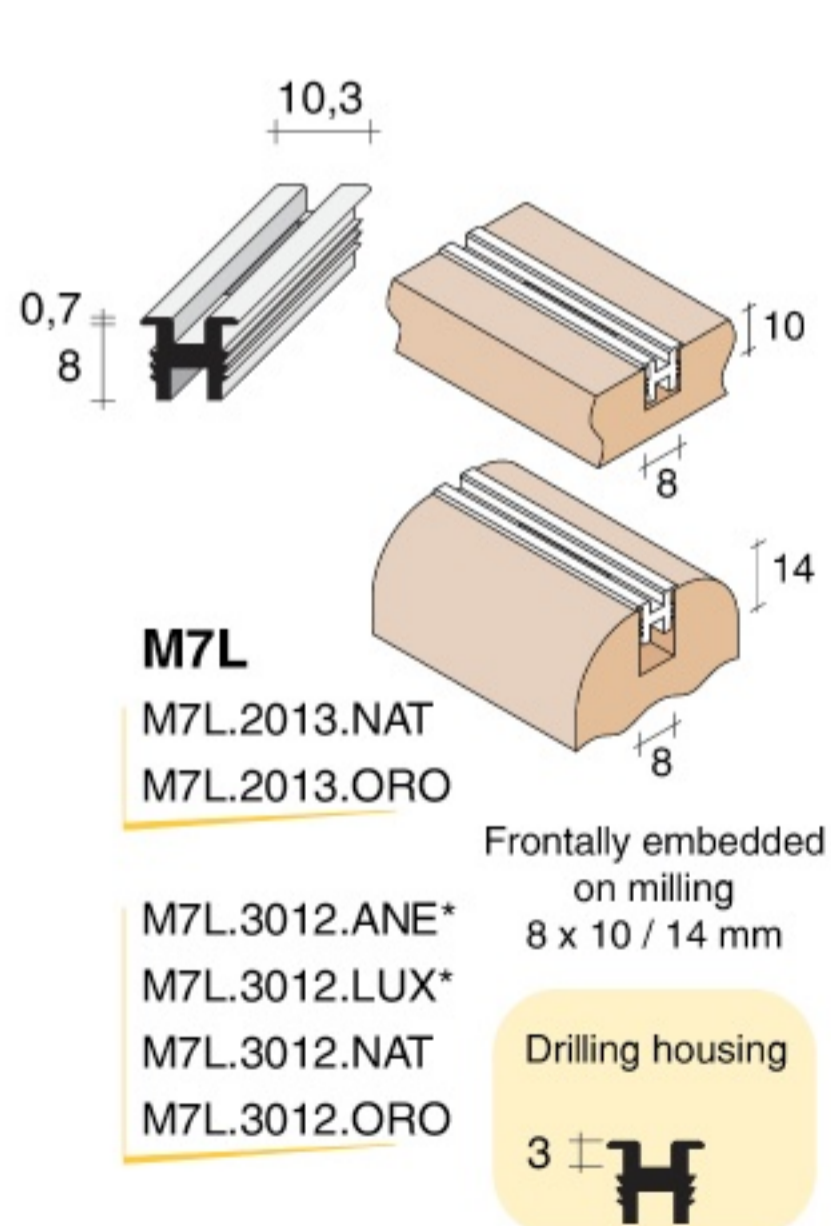
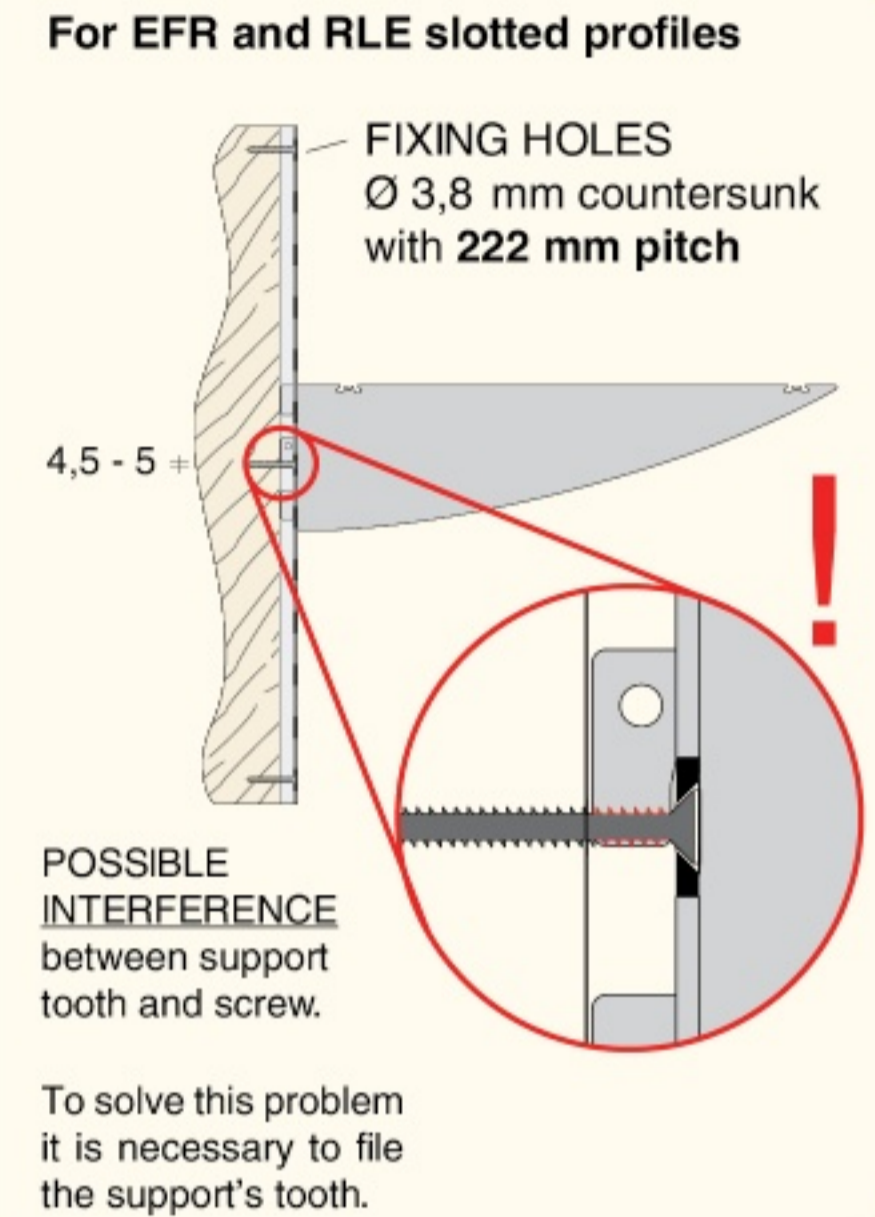
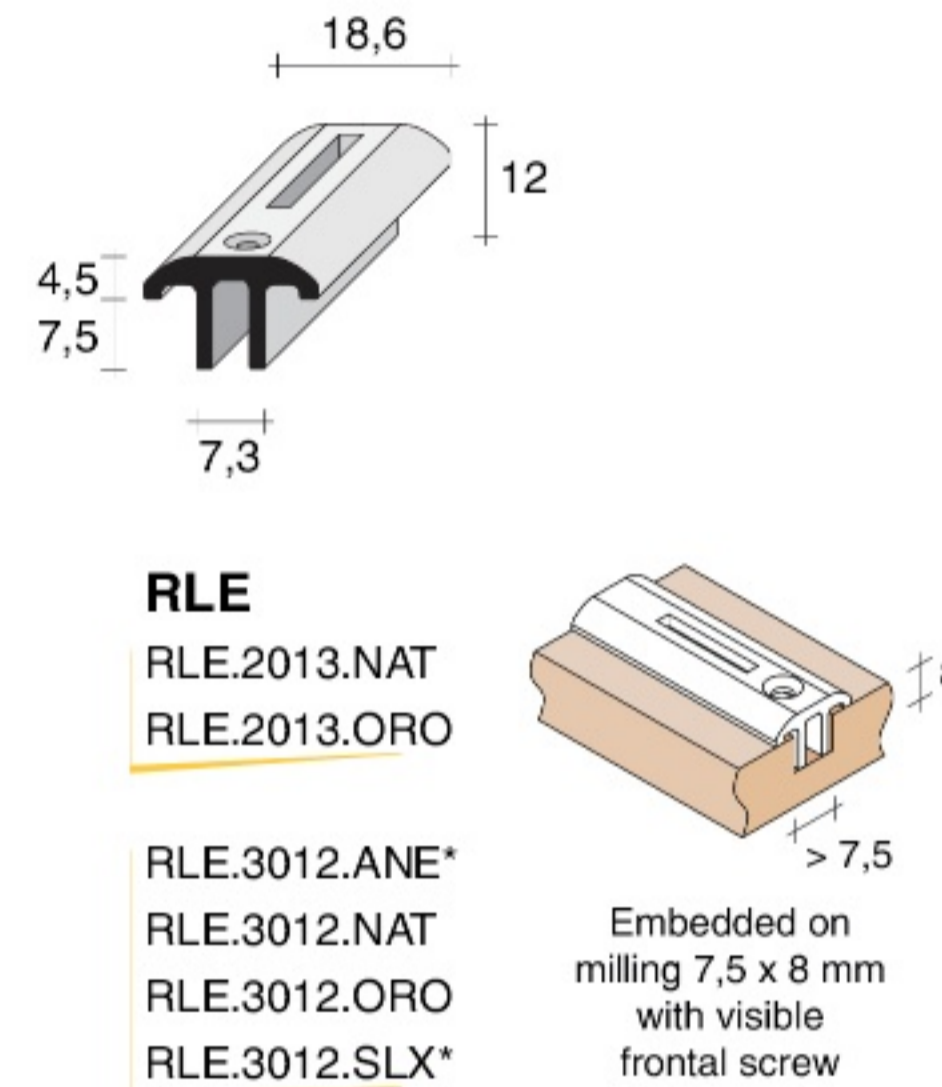
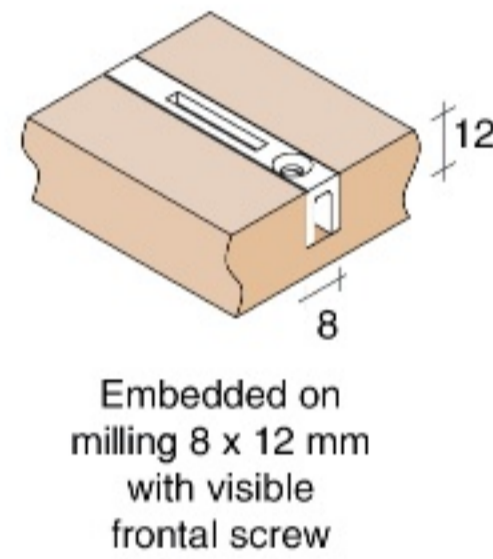
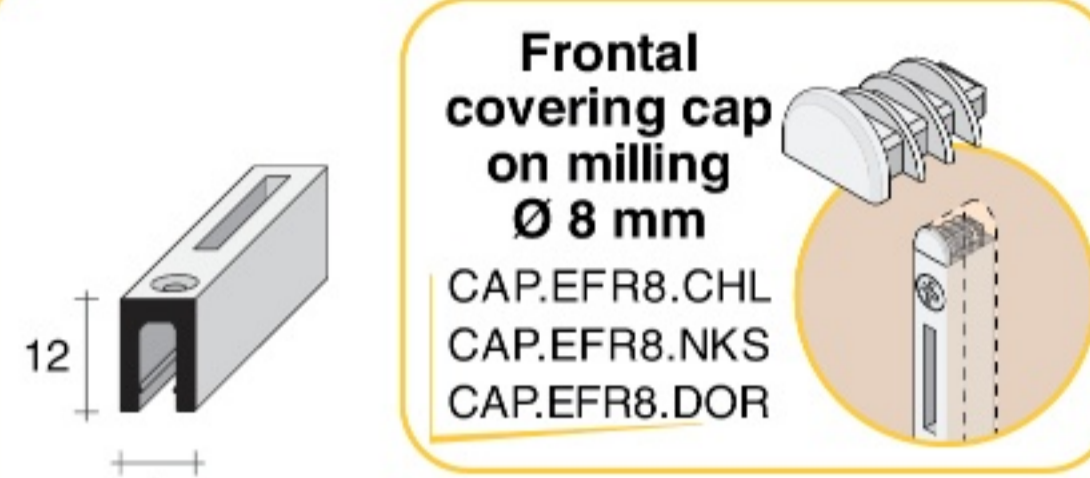
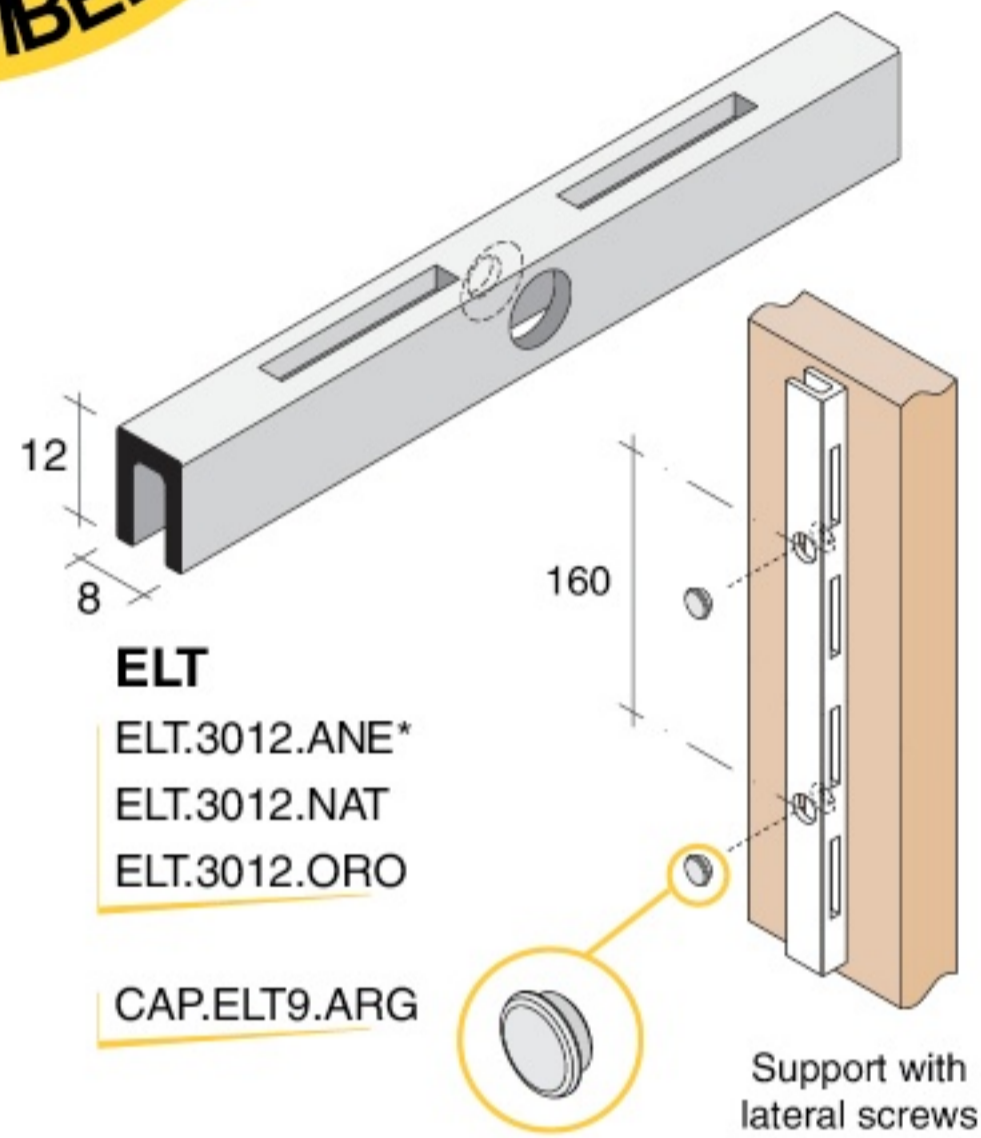


Aluminium slotted profiles



Lengths in mm

| 2013 | 2531 | 3012 |
|------|------|------|
|------|------|------|

| AI | Color | Finish |
|-----|------------------|--------|
| NAT | SATINIZED SILVER | |
| ANE | BLACK | |
| LUX | BRILLIANT | |
| NOX | INOX FINISHING | |
| ORO | SATINIZED GOLD | |
| SLX | BRIGHT | |

* special items



HLE



M7L



Panels equipped with slotted profiles HLE and M7L, installed on NB system (NB6.DX - NB8 - NB6.SX).
Visual with frames TL5; shelves installed on the support H30.FS03 and inserted on the horizontal profile FMH.
Accessories: POC support for glasses, page 63.



ELT.3012 - CAP.ELT9
EDM.330P - CAV.A1DX - CAV.A2CN - VEN.GLA5



ELT.3012 - CAP.ELT9
EDM.330P - CAV.A1DX - VEN.GLA5



External assembling with lateral fixing: ELT embedded slotted profile with CAP.ELT9.ARG. end caps.
Accessories: EDM.330P - CAV.A1DX/SX - CAV.A2CN - VEN.GLA5.TRA.