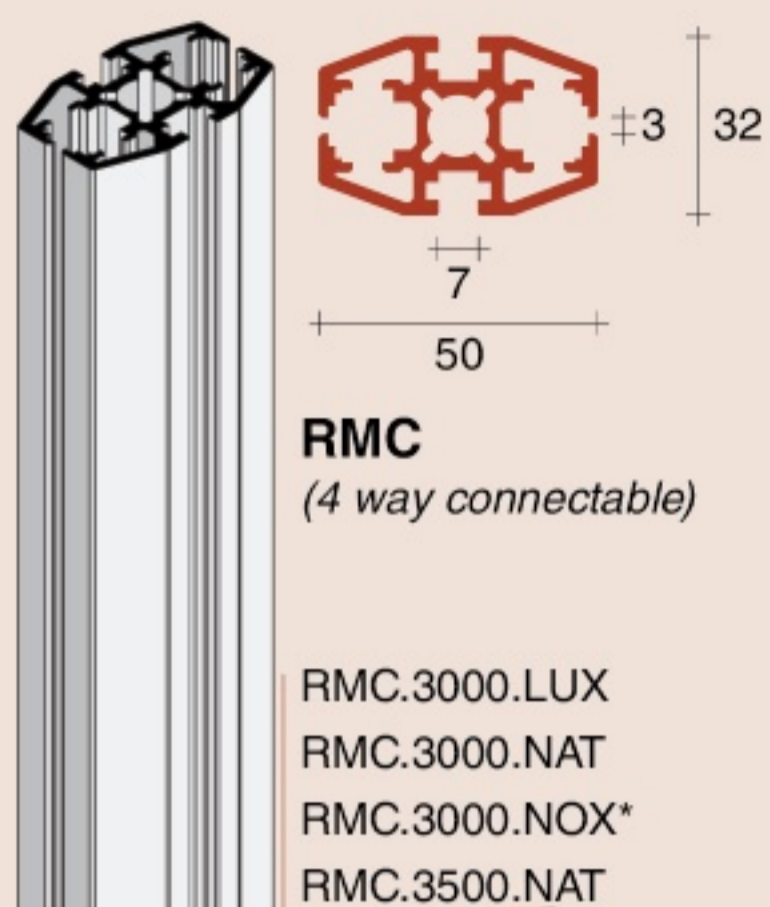
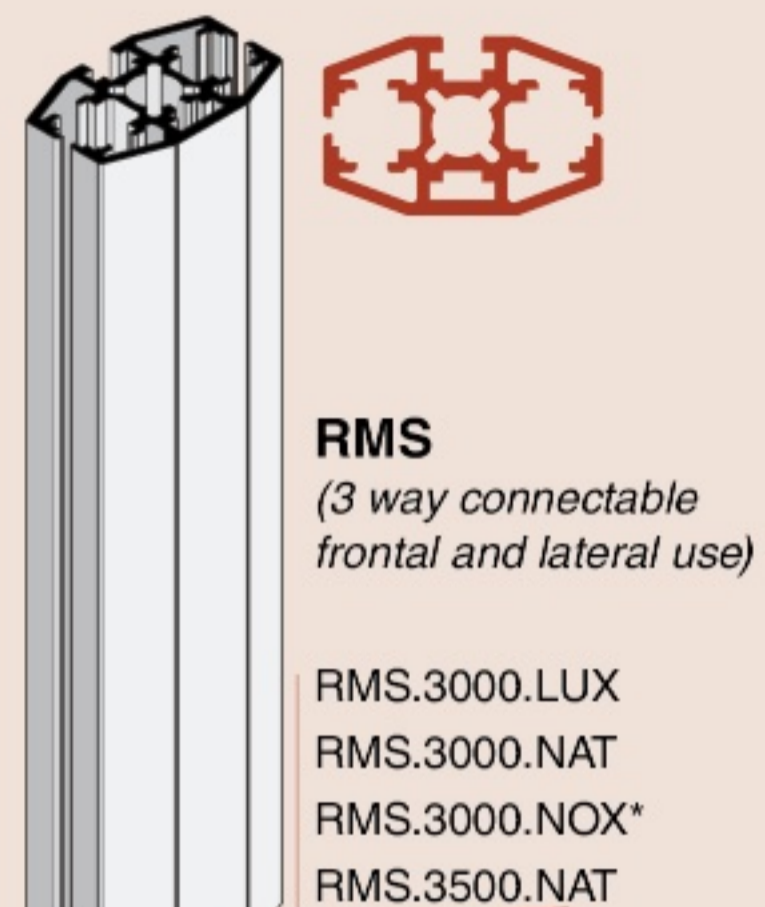


Self standing system components

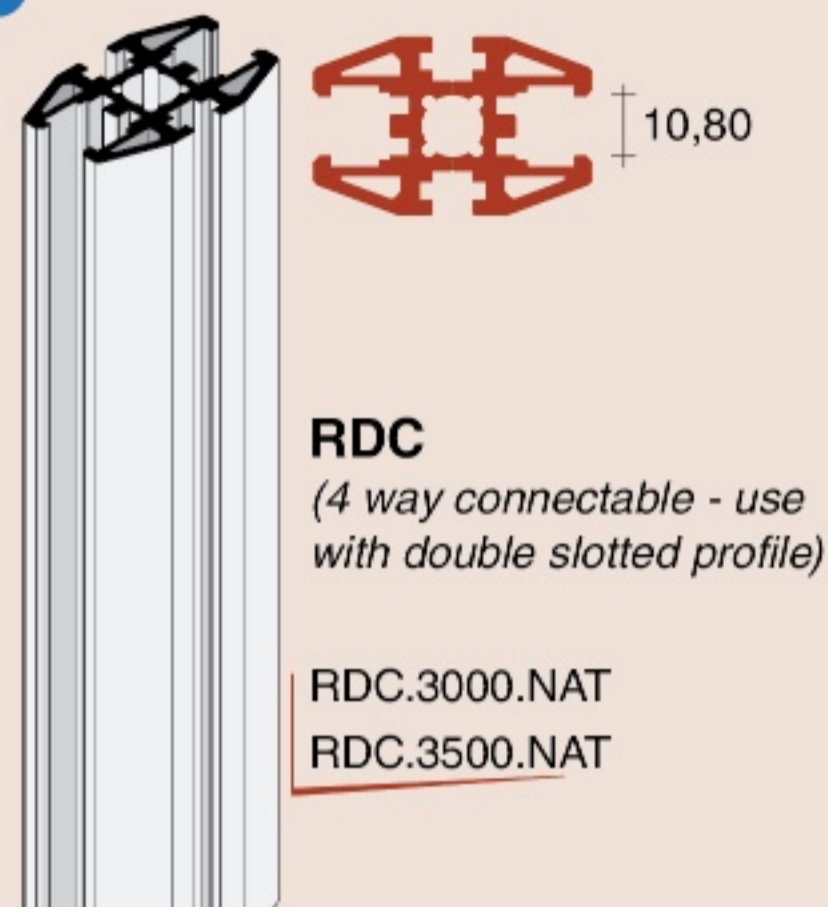
RMC, RMS and RDC SELF STANDING UPRIGHTS



Compatible with TCN e HLE

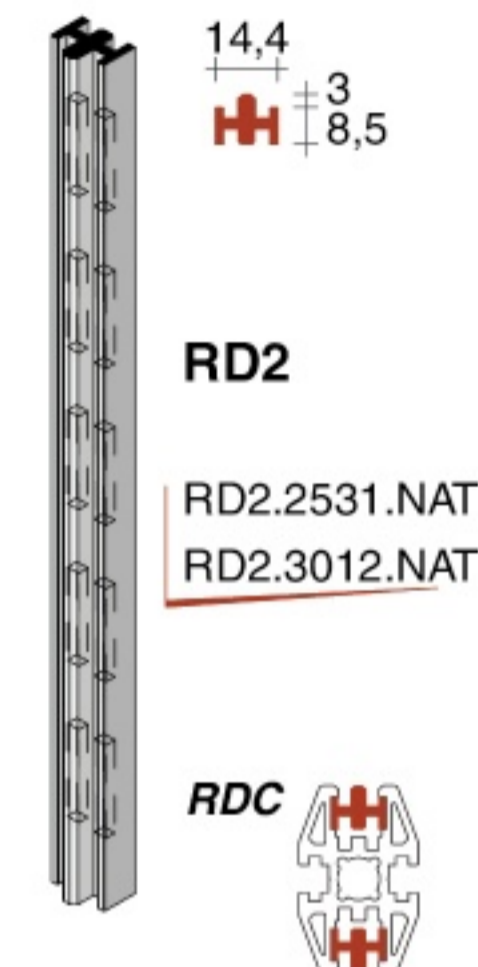
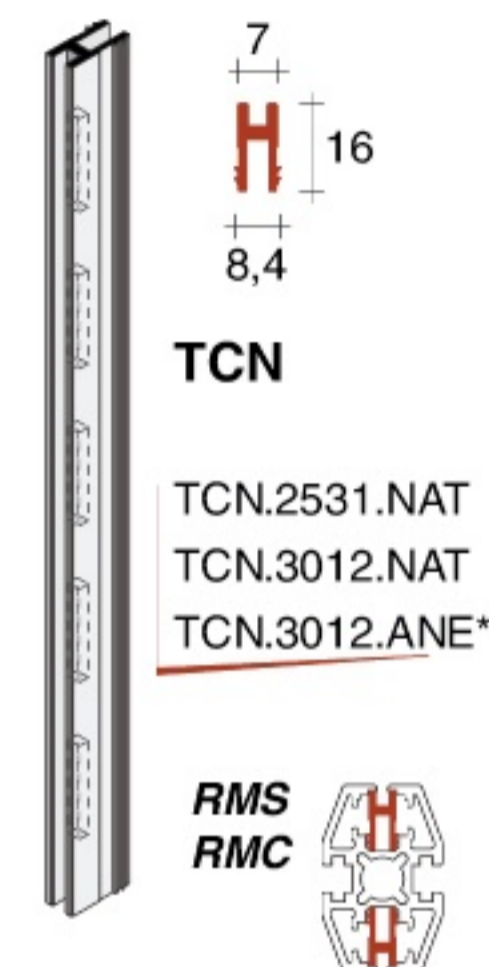


Compatible with TCN e HLE

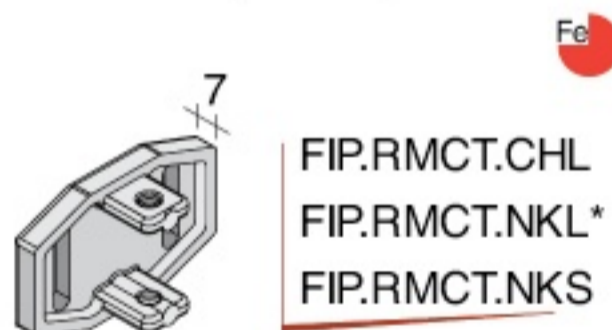


Compatible with RD2 e HLE

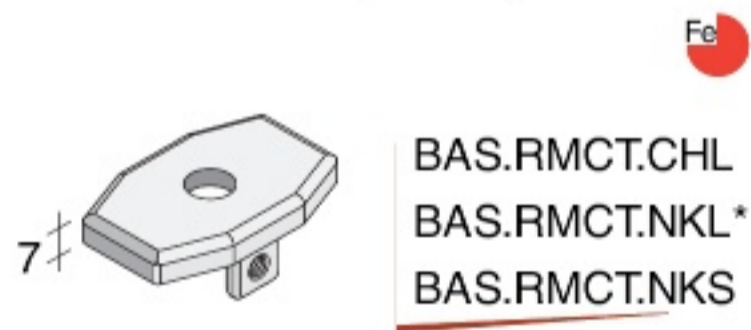
INSERTION SLOTTED PROFILES



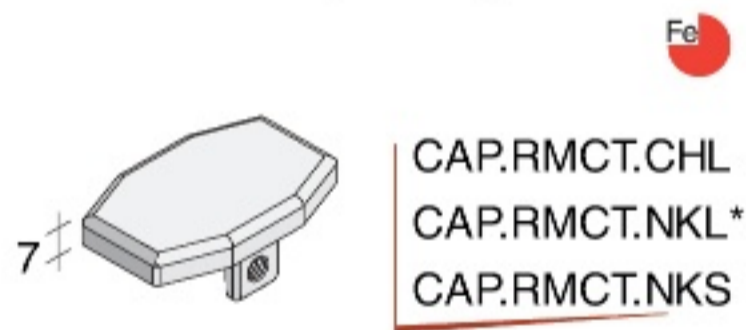
WALL FIXING PLATE for RMC, RMS, RDC



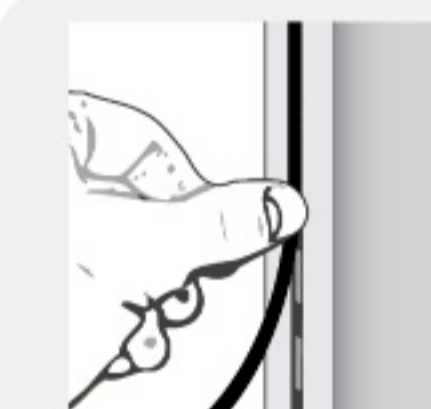
PRE-DRILLED BASE for RMC, RMS, RDC



FINISHING END CAP for RMC, RMS, RDC

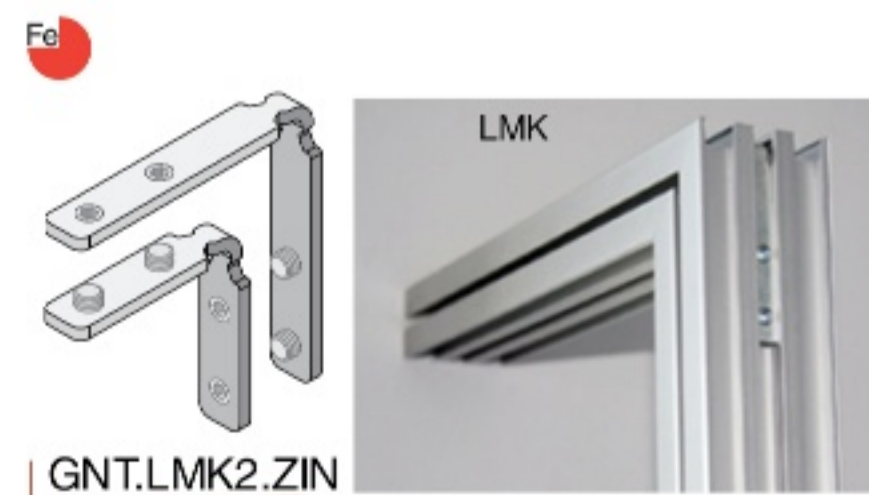
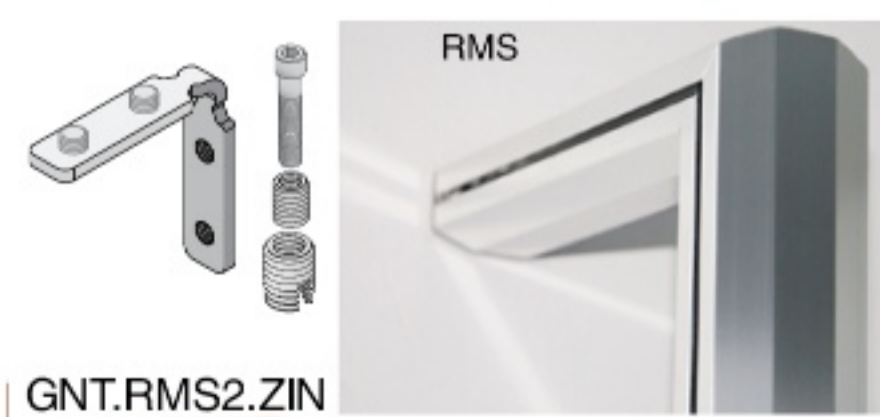


GASKETS for TCN and RD2



GRN.10MT.ARG
GRN.10MT.NER

INNER JOINTS for 45° CUT CONNECTIONS



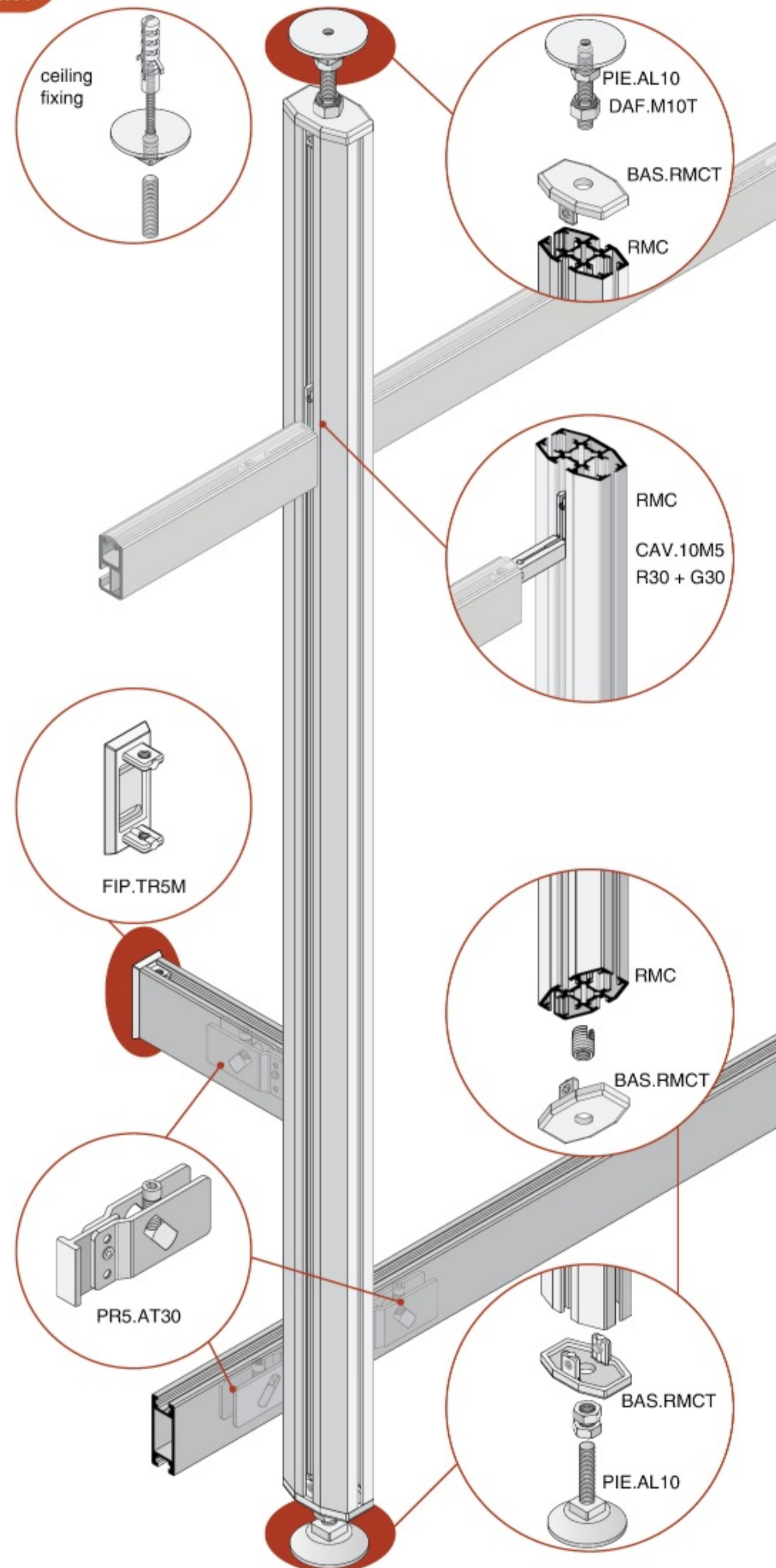
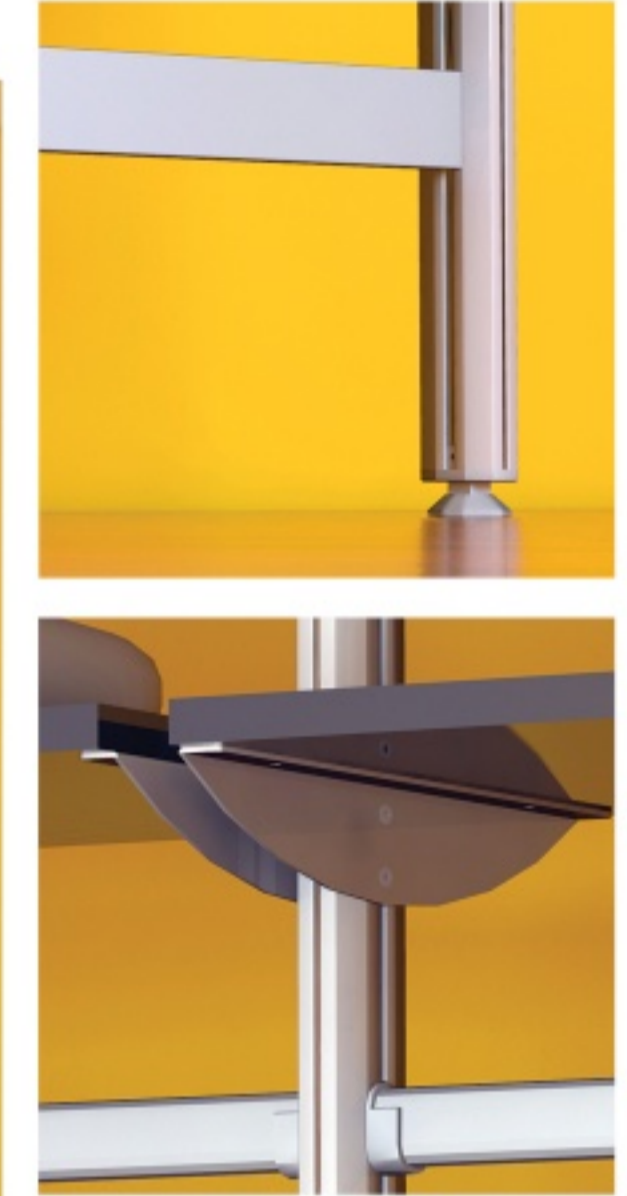
INNER JOINT





FLOOR - CEILING expansion COMPOSITIONS
with **CENTRAL** accessories on **CAM**

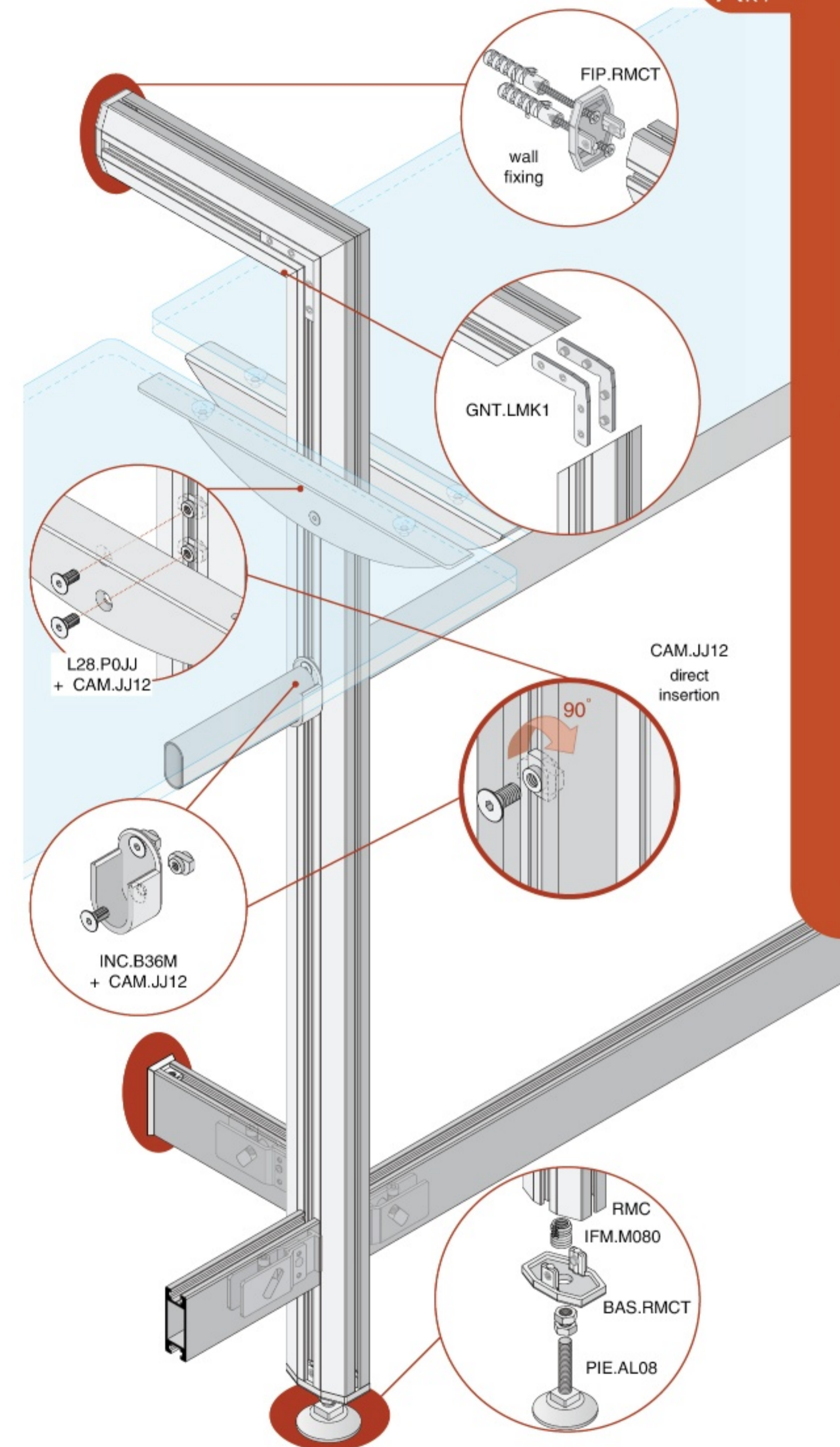
'ALPHA EXPANDED' - realized with *RMC* and *RMS*





FLOOR - WALL expansion COMPOSITIONS with CENTRAL accessories on CAM

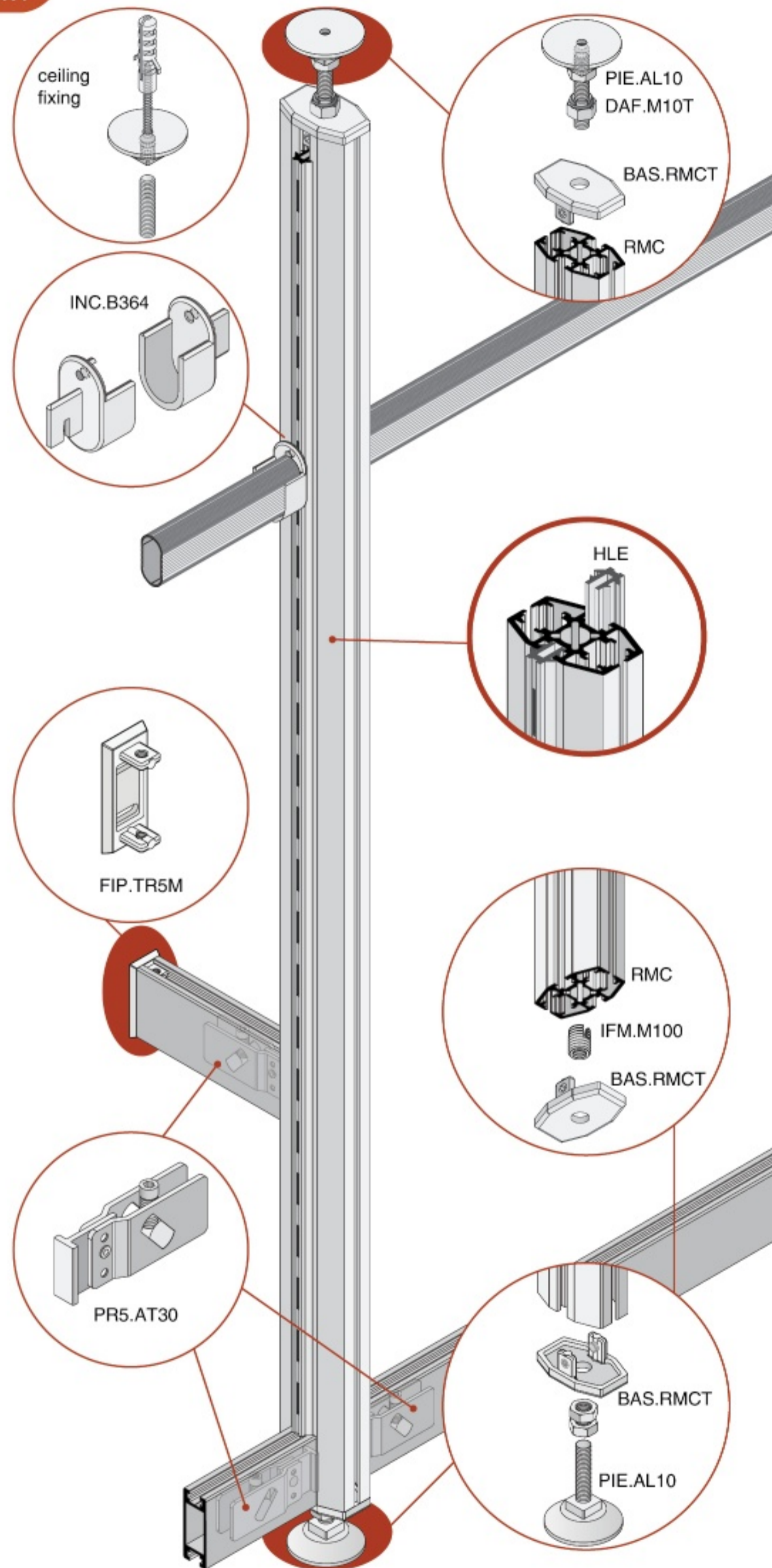
'ALPHA WALL45' - realized with RMC and RMS





FLOOR - CEILING expansion COMPOSITIONS with CENTRAL accessories on SLOTTED PROFILE

'ALPHA HLE EXPANDED' - realized with RMC and RMS





FLOOR - WALL expansion COMPOSITIONS with CENTRAL accessories on SLOTTED PROFILE

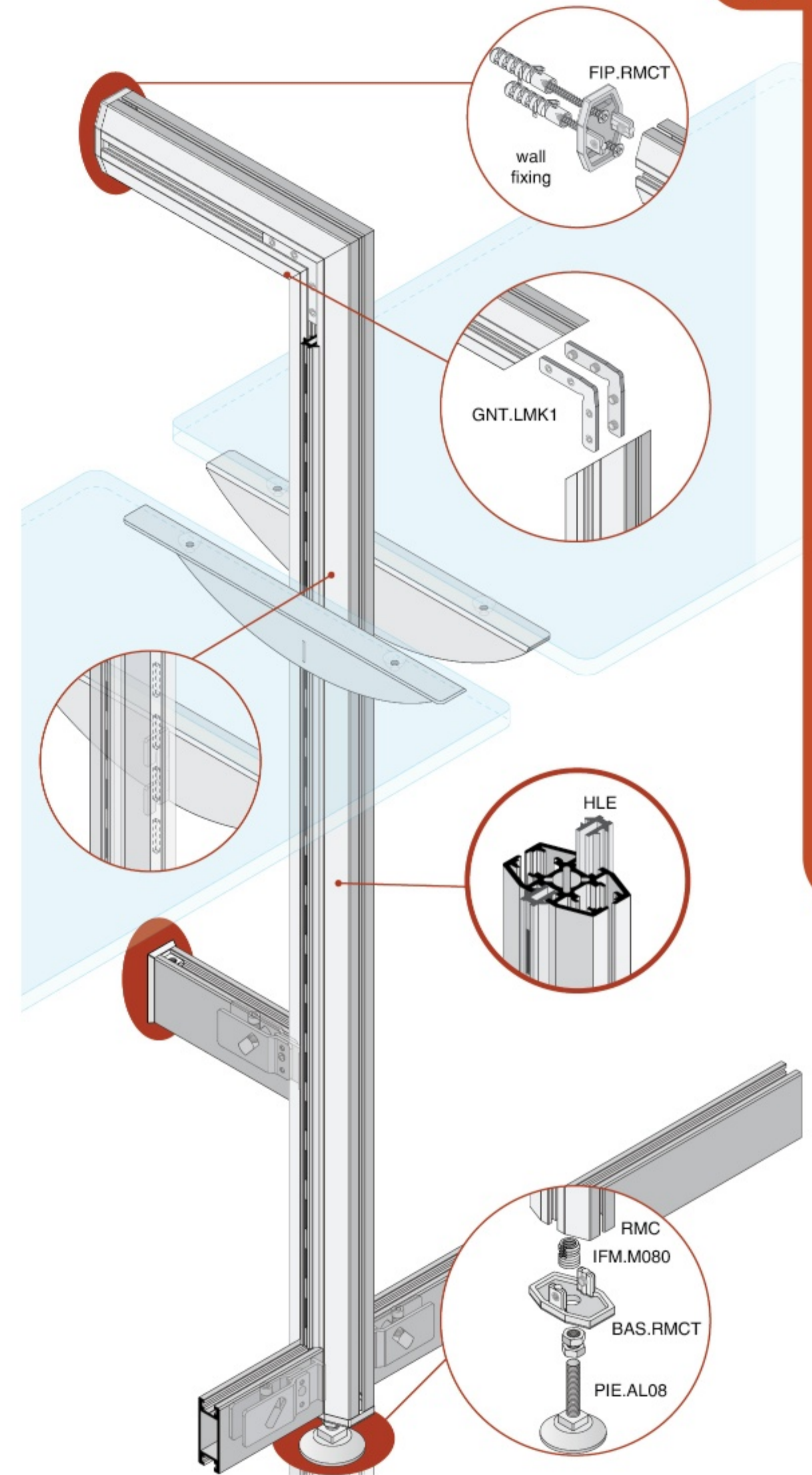
'ALPHA HLE WALL45' - realized with RMC and RMS



HLE - TR5 - PR5.AT30



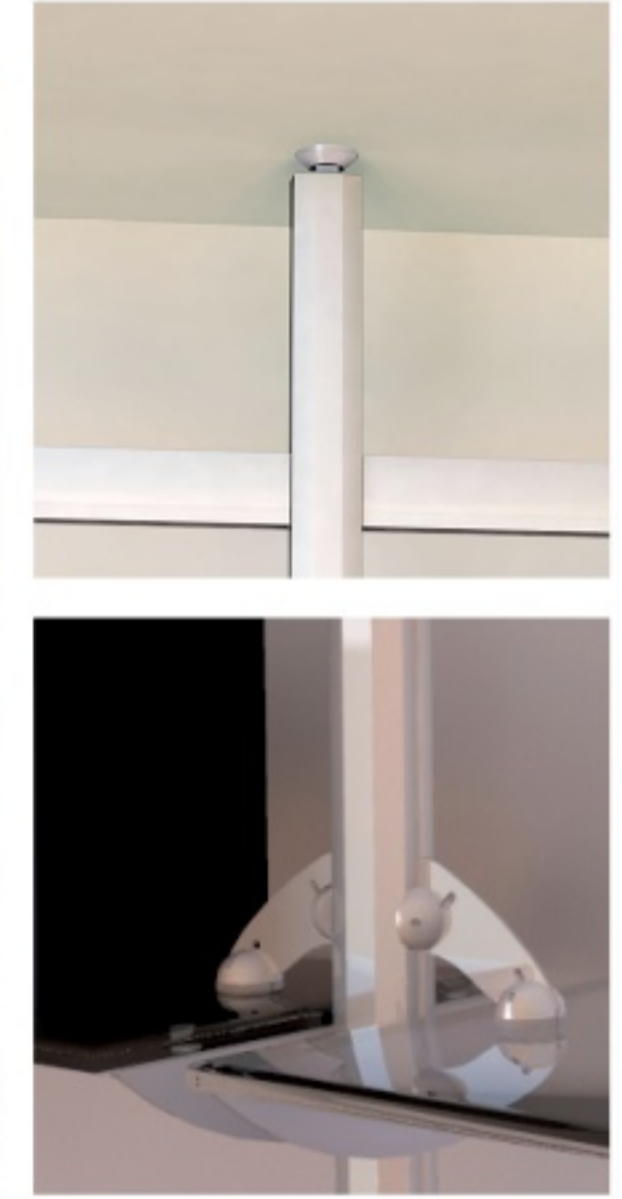
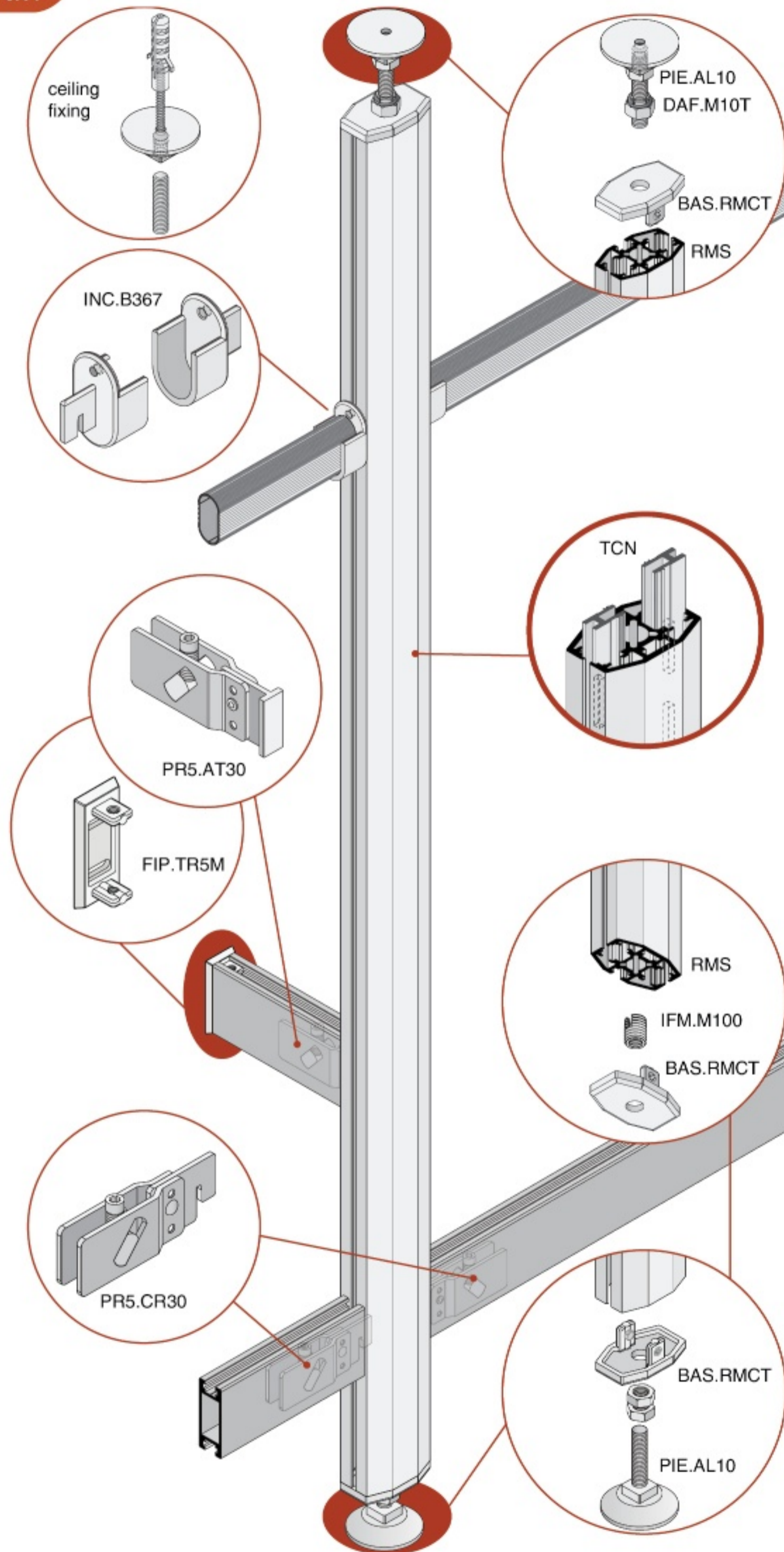
BSP.AS36 - PIE.AL08





FLOOR - CEILING expansion COMPOSITIONS with CENTRAL accessories on SLOTTED PROFILE

'BRAVO EXPANDED' - realized with RMS



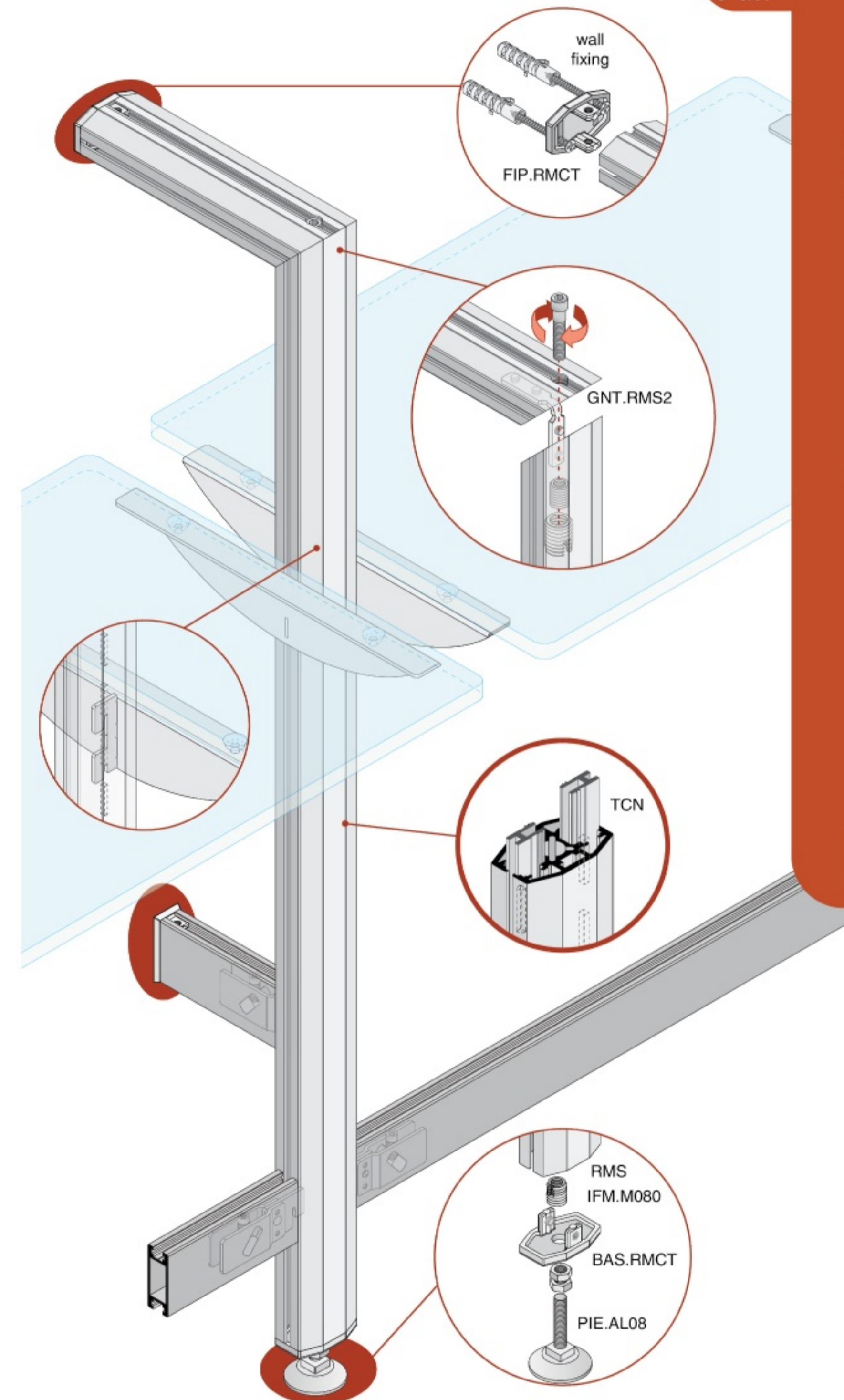


FLOOR - WALL expansion COMPOSITIONS with CENTRAL accessories on SLOTTED PROFILE

'BRAVO WALL45' - realized with RMS

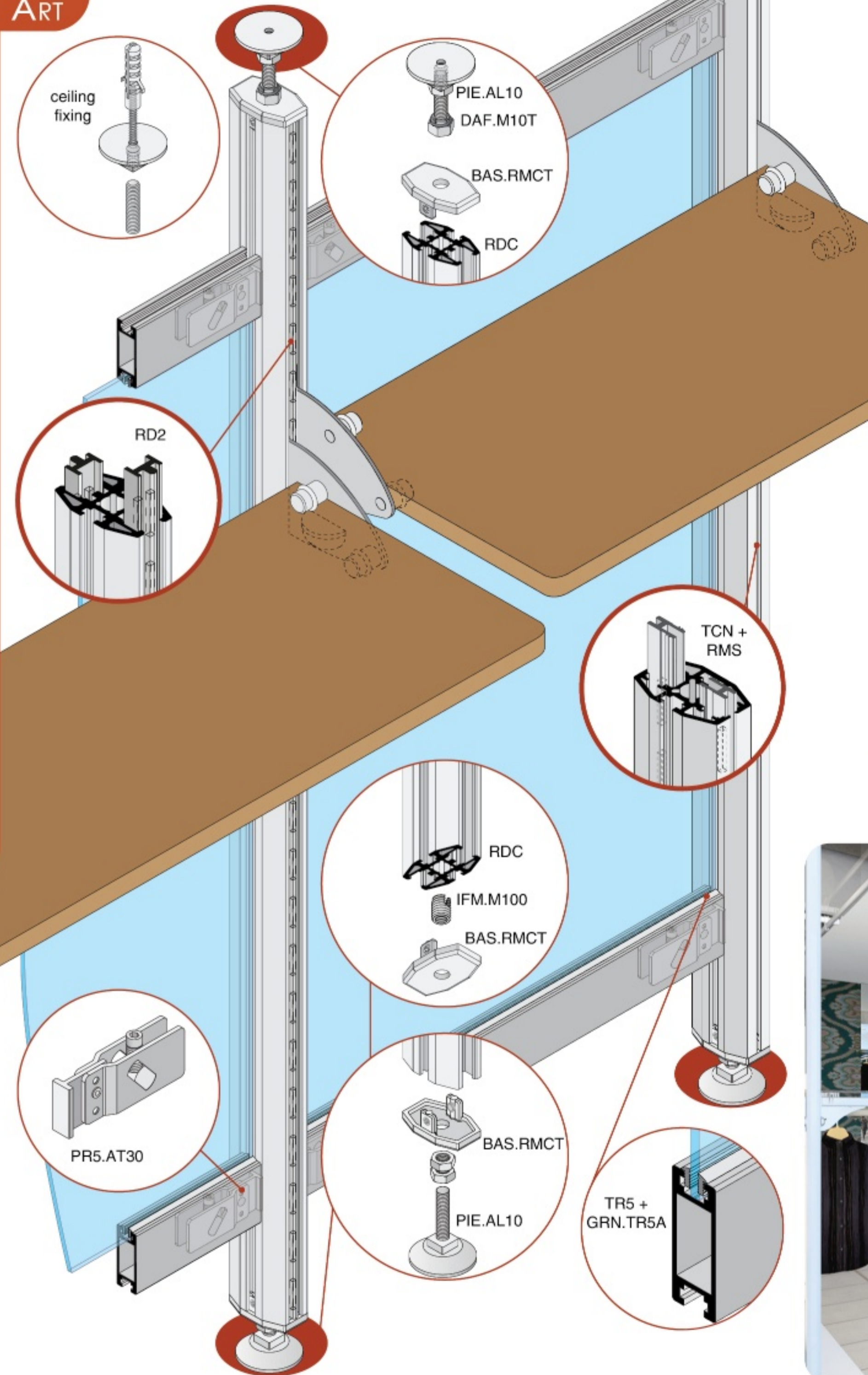


'BRAVO WALL' - realized with RMS





FLOOR - CEILING expansion COMPOSITIONS, DIVIDING WALLS with accessories on SLOTTED PROFILE



'ALPHA PARTITION' - realized with RMC, RMS and/or RDC



WMP.B360 - INU.LT36 - CAV.S1



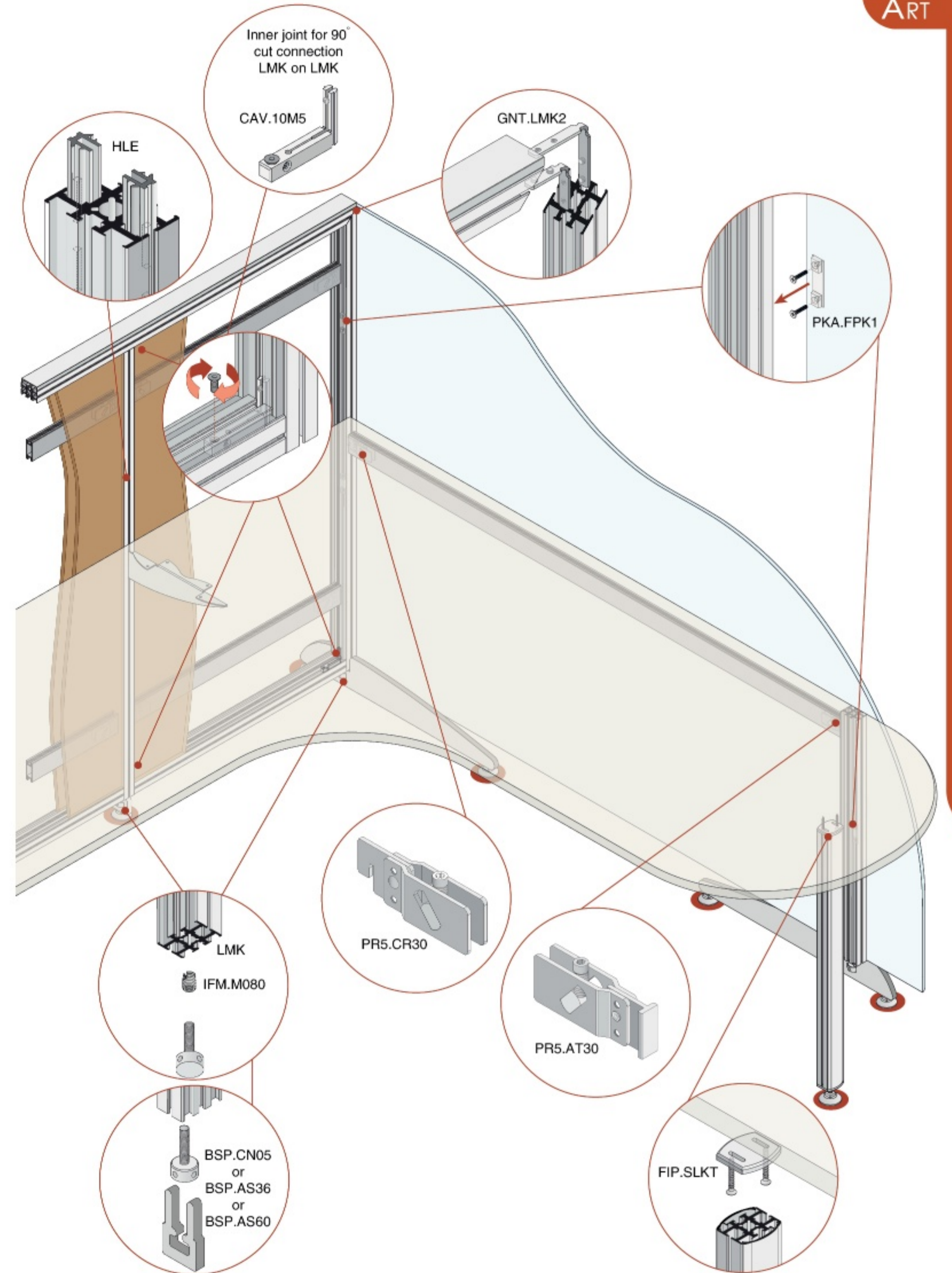
DWA.DX08/SX08





EQUIPPABLE GONDOLAS with INTERNAL DIVIDING PANELS

'ISOLA' - realized with LMK





OTHER
COMPOSITIONS

'TAVOLO' - realized with RMS

